

PLEASE CHECK WWW.MOLEX.COM FOR LATEST PART INFORMATION

Part Number: [0767619001](#)
Status: **Active**
Overview: [vhdm_h](#)
Description: 2.00mm (.079") Pitch VHDM® H Board-to-Board Backplane Header, Vertical, 6-Row, Guide Pin, Signal End Module, Open End Version, 60 Circuits, Pin Length 4.75mm (.187"), Lead Free

Documents:

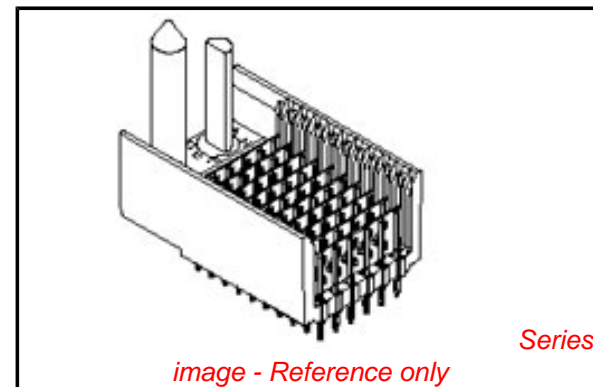
[Drawing \(PDF\)](#) [RoHS Certificate of Compliance \(PDF\)](#)
[Product Specification PS-74031-999 \(PDF\)](#)

General

Product Family	Backplane Connectors
Series	76761
Application	Backplane
Comments	No Keying Position
Component Type	PCB Header
Overview	vhdm_h
Product Name	VHDM® - H Series
Style	N/A

Physical

Circuits (Loaded)	60
Circuits (maximum)	60
Color - Resin	Black
Durability (mating cycles max)	200
First Mate / Last Break	No
Guide to Mating Part	Yes
Keying to Mating Part	None
Material - Metal	Copper Alloy
Material - Plating Mating	Gold
Material - Plating Termination	Tin
Material - Resin	High Temperature Thermoplastic
Number of Columns	10
Number of Pairs	Open Pin Field
Number of Rows	6
Orientation	Vertical
PC Tail Length (in)	0.072 In
PC Tail Length (mm)	1.83 mm
PCB Locator	No
PCB Retention	None
PCB Thickness Recommended (in)	0.072 In
PCB Thickness Recommended (mm)	1.83 mm
Packaging Type	Tube
Pitch - Mating Interface (in)	0.079 In
Pitch - Mating Interface (mm)	2.00 mm
Pitch - Term. Interface (in)	0.089 In
Pitch - Term. Interface (mm)	2.25 mm
Plating min: Mating (µin)	30
Plating min: Mating (µm)	0.75
Plating min: Termination (µin)	30
Plating min: Termination (µm)	0.75
Polarized to PCB	Yes
Stackable	No
Surface Mount Compatible (SMC)	Yes
Temperature Range - Operating	-55°C to +85°C



EU RoHS

**ELV and RoHS
Compliant**
REACH SVHC
 Not Reviewed
**Halogen-Free
Status**
 Not Reviewed

China RoHS



**Need more information on product
environmental compliance?**

Email productcompliance@molex.com
 For a multiple part number RoHS Certificate of Compliance, [click here](#)

Please visit the [Contact Us](#) section for any non-product compliance questions.

Search Parts in this Series

[76761Series](#)

Application Tooling | [FAQ](#)

Tooling specifications and manuals are found by selecting the products below. Crimp Height Specifications are then contained in the Application Tooling Specification document.

Global

Description	Product #
VHDM® Signal Pin	0622015700
Inserter Repair Tool	
VHDM® 6 Row Pin and Shield Repair Tool	0622015800
VHDM® 6 Row Shield Extraction Tool	0622016000
VHDM® Insertion Module for Advanced Mate Signal Header, 6 Row by 10 Wide, 20.00mm (.787")	0622020207

Termination Interface: Style

Through Hole - Compliant Pin

Electrical

Current - Maximum per Contact

1A

Data Rate

6.25 Gbps

Real Signals (per 25mm)

75

Shield Type

Ground Plane Shield

Shielded

Yes

Voltage - Maximum

120V AC (RMS)/DC

Material Info

Reference - Drawing Numbers

Packaging Specification

PK-74058-003

Product Specification

PS-74031-999

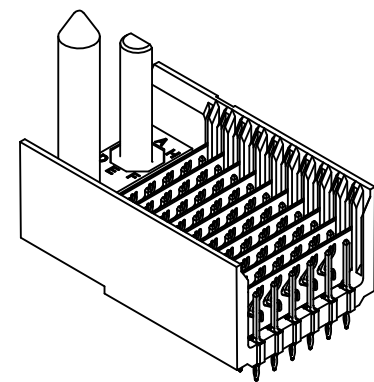
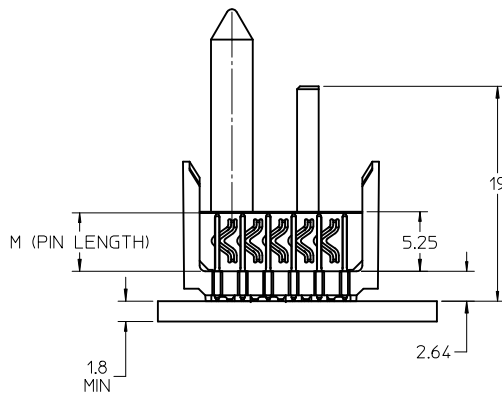
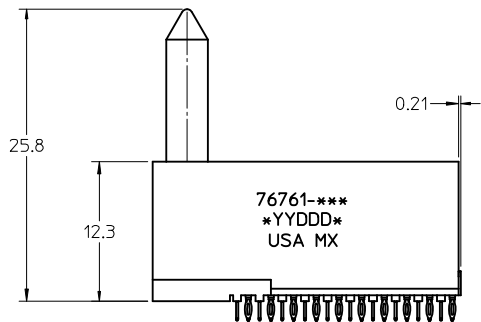
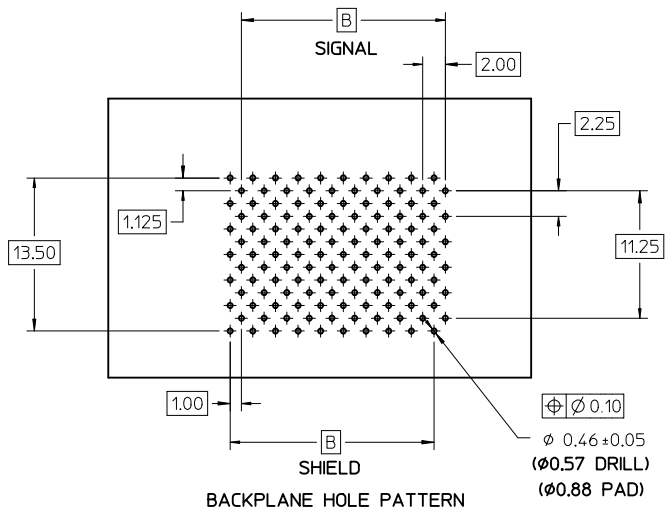
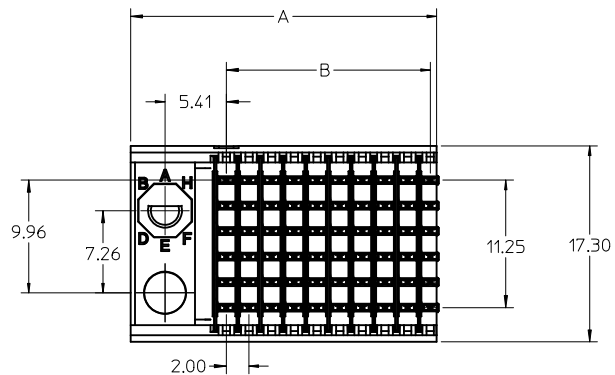
Sales Drawing

SD-76761-001

VHDM and Very High Density Metric are trademarks of Amphenol Corporation

This document was generated on 05/20/2010

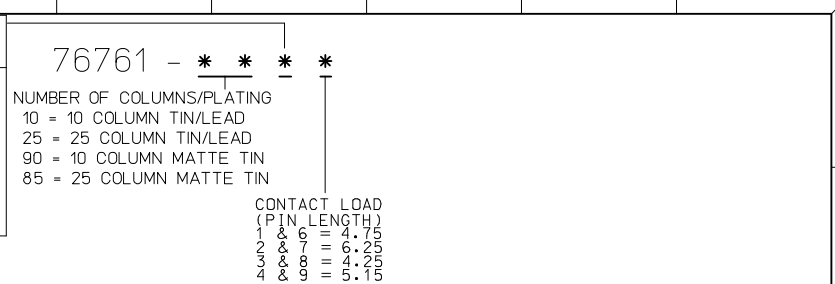
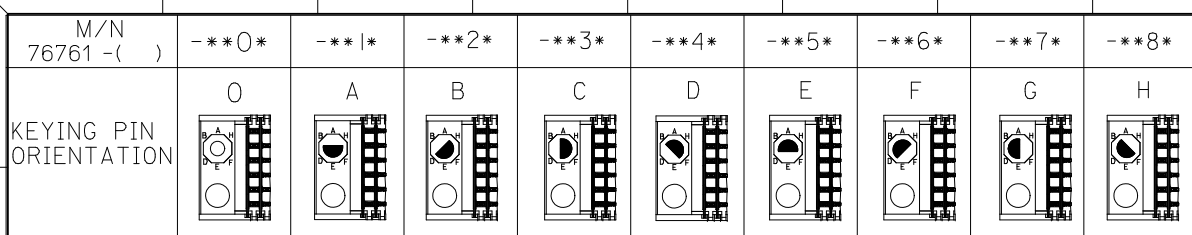
PLEASE CHECK WWW.MOLEX.COM FOR LATEST PART INFORMATION



NOTES:

- MATERIALS:
HOUSING - LIQUID CRYSTAL POLYMER (LCP)
GLASS FILLED, UL94V-0, BLACK
SIGNAL PIN AND SHIELD - COPPER ALLOY
- FINISHES:
CONTACT AREA - SELECTIVE GOLD (Au)
PCB TAILS - SELECTIVE TIN/LEAD (SnPb) OR MATTE TIN (Sn)
- THIS PART CONFORMS TO MOLEX PRODUCT SPECIFICATION PS-74031-999.
- FOR MIXED CONTACT LENGTH CONTACT MOLEX FOR AVAILABILITY.
- FOR SPECIFIC MATERIAL NUMBERS AND MATING INFORMATION REFER TO SHEET 2.
- PACKAGE PER PK-74058-003.
- ASSEMBLY WILL BE MARKED WITH P/N AND DATE CODE WITH LASER MARK ON SIDE OF HOUSING OR BY LABEL ON THE TUBE.

CORRECT P/NS IN TABLE EC NO: UCP2010-1510 DRWN: J JONIAK 2010/03/05 CHKD: J MELLON 2010/03/09 APPR: S MILLER 2010/03/09	QUALITY SYMBOLS ▽=0 ▽=0 ▽=0	GENERAL TOLERANCES (UNLESS SPECIFIED)		DIMENSION STYLE MM ONLY	SCALE 2:1	DESIGN UNITS METRIC	THIRD ANGLE PROJECTION	
		4 PLACES ± --- ± ---	3 PLACES ± --- ± ---	DRAWN BY J JONIAK	DATE 2008/07/09	TITLE VHDM H-SERIES 6 ROW BACKPLANE SIGNAL END		
		2 PLACES ± 0.15 ± ---	1 PLACE ± 0.25 ± ---	CHECKED BY J JONIAK	DATE 2008/07/09			
		ANGULAR ± 1/2°		APPROVED BY S MILLER		DATE 2010/03/09	MOLEX INCORPORATED DOCUMENT NO. SD-76761-001	
DRAFT WHERE APPLICABLE MUST REMAIN WITHIN DIMENSIONS		MATERIAL NO. SEE TABLE		SIZE C	SHEET NO. 1 OF 2			
THIS DRAWING CONTAINS INFORMATION THAT IS PROPRIETARY TO MOLEX INCORPORATED AND SHOULD NOT BE USED WITHOUT WRITTEN PERMISSION								

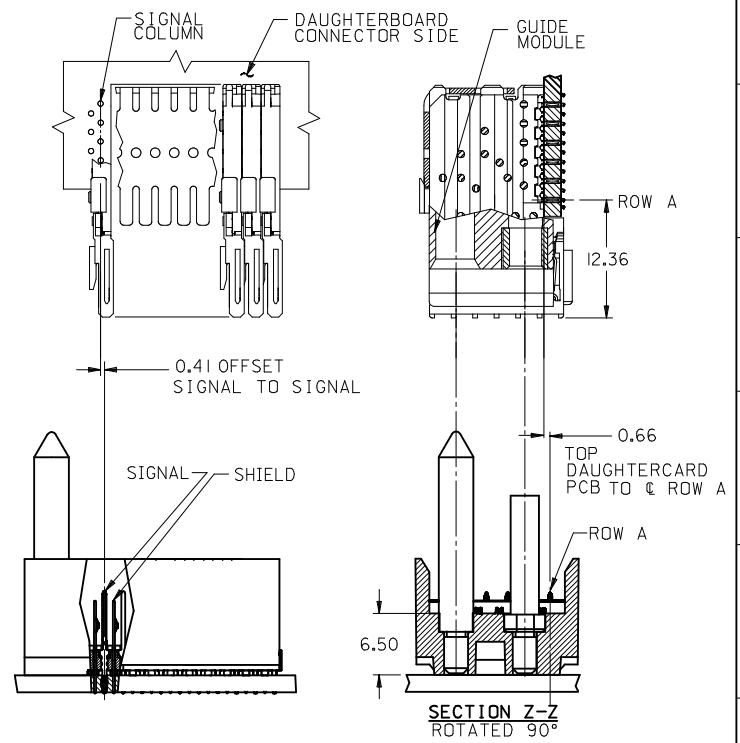


PART NUMBER	COLUMN	NUMBER OF SIGNAL	NUMBER OF PIN	NUMBER OF SHIELD	A	B	M	Au (um) THICKNESS
76761-1001	10	60	10	10	20.00	18.00	4.75	0.76
76761-1006								1.27
76761-2501	25	150	25	25	50.00	48.00	6.25	0.76
76761-2506								1.27
76761-1002	10	60	10	10	20.00	18.00	4.25	0.76
76761-1007								1.27
76761-2502	25	150	25	25	50.00	48.00	5.15	0.76
76761-2507								1.27
76761-1003	10	60	10	10	20.00	18.00	4.75	0.76
76761-1008								1.27
76761-2503	25	150	25	25	50.00	48.00	6.25	0.76
76761-2508								1.27
76761-1004	10	60	10	10	20.00	18.00	4.25	0.76
76761-1009								1.27
76761-2504	25	150	25	25	50.00	48.00	5.15	0.76
76761-2509								1.27

TIN/LEAD CHART

PART NUMBER	COLUMN	NUMBER OF SIGNAL	NUMBER OF PIN	NUMBER OF SHIELD	A	B	M	Au (um) THICKNESS
76761-9001	10	60	10	10	20.00	18.00	4.75	0.76
76761-9006								1.27
76761-8501	25	150	25	25	50.00	48.00	6.25	0.76
76761-8506								1.27
76761-9002	10	60	10	10	20.00	18.00	4.25	0.76
76761-9007								1.27
76761-8502	25	150	25	25	50.00	48.00	5.15	0.76
76761-8507								1.27
76761-9003	10	60	10	10	20.00	18.00	4.75	0.76
76761-9008								1.27
76761-8503	25	150	25	25	50.00	48.00	6.25	0.76
76761-8508								1.27
76761-9004	10	60	10	10	20.00	18.00	4.25	0.76
76761-9009								1.27
76761-8504	25	150	25	25	50.00	48.00	5.15	0.76
76761-8509								1.27

LEAD FREE CHART



CORRECT P/NS IN TABLE EC NO: UCP2010-1510 DRWNG: JONI AK 2010/03/05 CHKD: J. MELTON 2010/03/09 APPR: SMILLER 2010/03/09	QUALITY SYMBOLS ▽=0 ▽=0	GENERAL TOLERANCES (UNLESS SPECIFIED)	DIMENSION STYLE MM ONLY	SCALE 1:1	DESIGN UNITS METRIC	THIRD ANGLE PROJECTION																							
	<table border="1"> <tr><td>4 PLACES</td><td>± ---</td><td>± ---</td></tr> <tr><td>3 PLACES</td><td>± ---</td><td>± ---</td></tr> <tr><td>2 PLACES</td><td>± 0.15</td><td>± ---</td></tr> <tr><td>1 PLACE</td><td>± 0.25</td><td>± ---</td></tr> </table> ANGULAR ±1/2° DRAFT WHERE APPLICABLE MUST REMAIN WITHIN DIMENSIONS	4 PLACES	± ---	± ---	3 PLACES	± ---	± ---	2 PLACES	± 0.15	± ---	1 PLACE	± 0.25	± ---	<table border="1"> <tr><td>DRAWN BY</td><td>DATE</td></tr> <tr><td>JJONI AK</td><td>2008/07/09</td></tr> <tr><td>CHECKED BY</td><td>DATE</td></tr> <tr><td>JJONI AK</td><td>2008/07/09</td></tr> <tr><td>APPROVED BY</td><td>DATE</td></tr> <tr><td>SMILLER</td><td>2010/03/09</td></tr> </table>	DRAWN BY	DATE	JJONI AK	2008/07/09	CHECKED BY	DATE	JJONI AK	2008/07/09	APPROVED BY	DATE	SMILLER	2010/03/09	TITLE VHDM H-SERIES 6 ROW BACKPLANE SIGNAL END	MATERIAL NO. SEE CHART	DOCUMENT NO. SD-76761-001
4 PLACES	± ---	± ---																											
3 PLACES	± ---	± ---																											
2 PLACES	± 0.15	± ---																											
1 PLACE	± 0.25	± ---																											
DRAWN BY	DATE																												
JJONI AK	2008/07/09																												
CHECKED BY	DATE																												
JJONI AK	2008/07/09																												
APPROVED BY	DATE																												
SMILLER	2010/03/09																												

THIS DRAWING CONTAINS INFORMATION THAT IS PROPRIETARY TO MOLEX INCORPORATED AND SHOULD NOT BE USED WITHOUT WRITTEN PERMISSION