

PLEASE CHECK WWW.MOLEX.COM FOR LATEST PART INFORMATION

Part Number: [0875370100](#)

Status: **Active**

Description: 1.27mm (.050") Pitch EBBI™ 50D Receptacle, Through Hole, Right Angle, Blind Mate, with Beveled Metal Pin and Plastic Peg, 0.76µm (30µ") Gold (Au) Selective Plating, 68 Circuits, 3.12mm (.123") PC Tail Length, Leadfree

Documents:

[3D Model](#)

[Drawing \(PDF\)](#)

[Product Specification PS-87537-0001 \(PDF\)](#)

[RoHS Certificate of Compliance \(PDF\)](#)

General

Product Family	PCB Receptacles
Series	87537
Application	Board-to-Board
Comments	No Lubricant at the Contact Z-Height: 8.20mm (.323)
Product Name	EBBI™

Physical

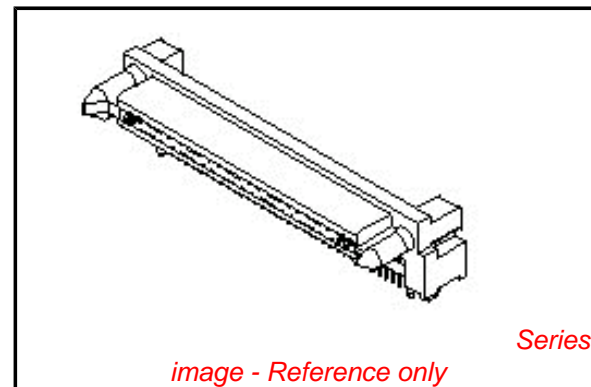
Circuits (Loaded)	68
Color - Resin	Black
Durability (mating cycles max)	2,000
Glow-Wire Compliant	No
Guide to Mating Part	Yes
Lock to Mating Part	None
Material - Metal	Phosphor Bronze
Material - Plating Mating	Gold
Material - Plating Termination	Tin
Material - Resin	High Temperature Thermoplastic
Number of Rows	2
Orientation	Right Angle
PC Tail Length (in)	0.123 In
PC Tail Length (mm)	3.12 mm
PCB Locator	Yes
PCB Retention	Yes
PCB Thickness Recommended (in)	0.093 In
PCB Thickness Recommended (mm)	2.40 mm
Packaging Type	Tray
Pitch - Mating Interface (in)	0.050 In
Pitch - Mating Interface (mm)	1.27 mm
Plating min: Mating (µin)	30.4
Plating min: Mating (µm)	0.76
Plating min: Termination (µin)	101.6
Plating min: Termination (µm)	2.54
Polarized to Mating Part	Yes
Polarized to PCB	Yes
Surface Mount Compatible (SMC)	Yes
Temperature Range - Operating	-40°C to +105°C
Termination Interface: Style	Surface Mount

Electrical

Current - Maximum per Contact	1A
Voltage - Maximum	30V

Solder Process Data

Duration at Max. Process Temperature (seconds)	5
--	---



EU RoHS

ELV and RoHS Compliant

REACH SVHC

Contains SVHC: No

Halogen-Free

Status

Halogen-Free

China RoHS



Need more information on product environmental compliance?

Email productcompliance@molex.com
For a multiple part number RoHS Certificate of Compliance, [click here](#)

Please visit the [Contact Us](#) section for any non-product compliance questions.

Search Parts in this Series

[87537Series](#)

Mates With

[71661 EBBI™ Right Angle Blind Mate Plug](#),
[EBBI™ Vertical Blind Mate Plug](#)

Lead-free Process Capability	SMC & Wave Capable (TH only)
Max. Cycles at Max. Process Temperature	1
Process Temperature max. C	265

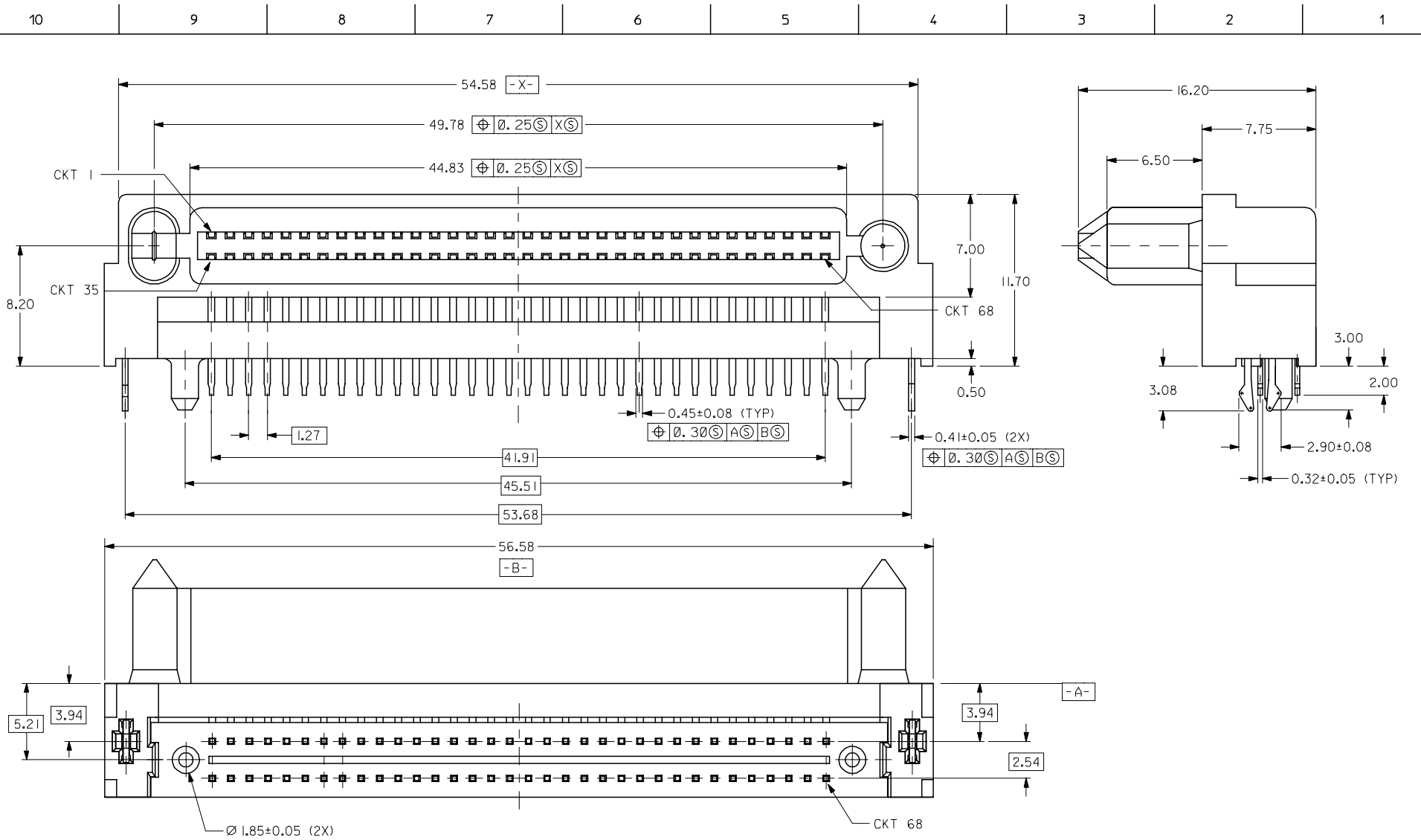
Material Info

Reference - Drawing Numbers

Product Specification	PS-87537-0001
Sales Drawing	SD-87537-100

This document was generated on 03/18/2010

PLEASE CHECK WWW.MOLEX.COM FOR LATEST PART INFORMATION



PART NO. (PACKED IN CARTON)	PART NO. (PACKED IN BIN)	CKT SIZE	CONTACTS LUBRICATION
87537-8818 Δ	87537-8838	68	YES
87537-8811	87537-8831	68	NIL

OBS TIN/LEAD P/N
 EC NO: S2006-0729
 DRWN:MLONG 2006/02/27
 CHKD:SHONG 2006/02/27
 APPR:KCLING 2006/02/28

QUALITY SYMBOLS
 $\nabla=0$
 $\triangle=0$

	GENERAL TOLERANCES (UNLESS SPECIFIED)	
	mm	INCH
4 PLACES	± ---	± ---
3 PLACES	± ---	± ---
2 PLACES	± 0.25	± ---
1 PLACE	± ---	± ---
ANGULAR ± 3 °		

DRAFT WHERE APPLICABLE
 MUST REMAIN
 WITHIN DIMENSIONS

DIMENSION STYLE MM ONLY	
DRAWN BY	DATE
KCLING	1995/04/07
CHECKED BY	DATE
SKTOH	1995/07/04
APPROVED BY	DATE
GMS	1995/07/04
MATERIAL NO.	
SIZE	
A3	

SCALE	DESIGN UNITS	THIRD ANGLE PROJECTION
NTS	METRIC	$\odot \square$
TITLE		
EBBI, RECEPTACLE, CONN. 1.27MM CTR, 68 CKTS, BTB BLIND-MATE, R/A		
MOLEX INCORPORATED		
DOCUMENT NO.	SHEET NO.	
SD-87537-6811	1 OF 2	

10 9 8 7 6 5 4 3 2 1

F

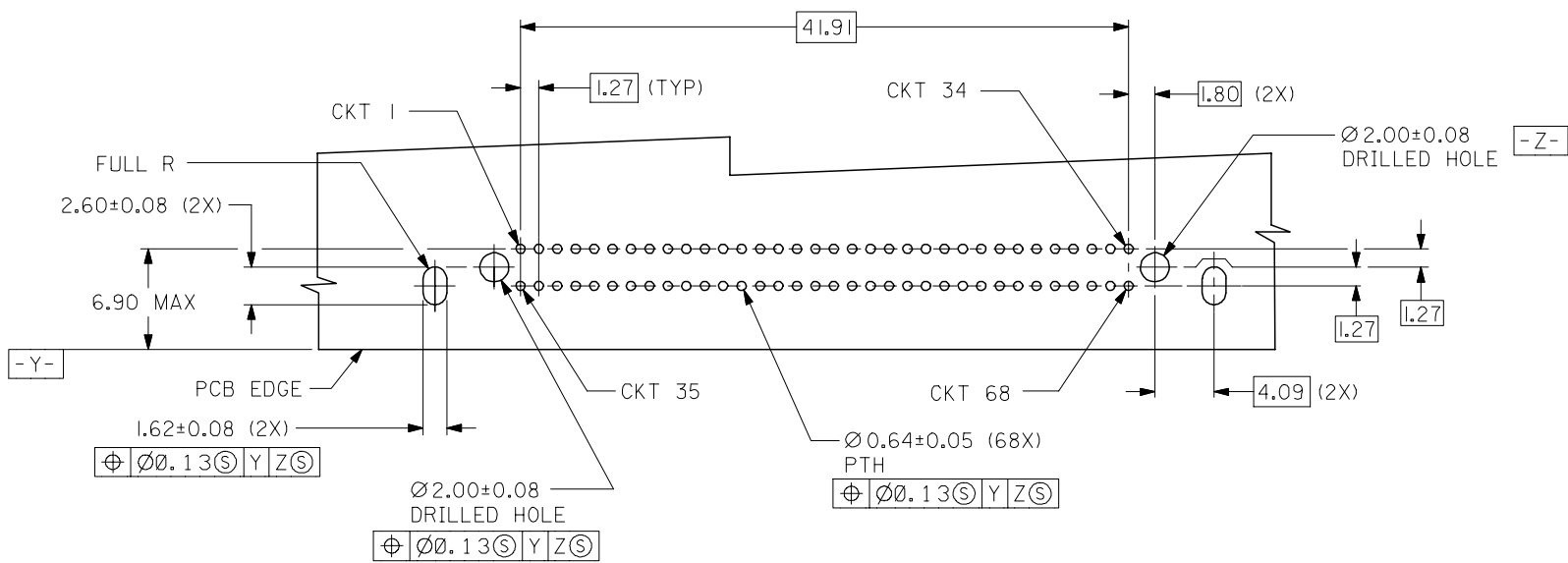
E

D

C

B

A



RECOMMENDED PC BOARD LAYOUT 3
 COMPONENT SIDE

- NOTES:
- 1 MATERIALS:
HOUSING- LCP, 30% GLASS FILLED, UL94V-0, BLACK.
TERMINALS- PHOSPHOR BRONZE.
 - 2 PLATING:
0.76µM MIN. GOLD IN SELECTIVE CONTACT AREA AND
2.54µM MIN. TIN IN SOLDER TAIL AREA, BOTH
OVER 1.27µM MIN. NICKEL.
 - 3 RECOMMENDED P.C. BOARD THICKNESS IS 1.57+/-0.13MM.
 - 4 CIRCUIT #58 TO BE RECESSED 0.50mm BEHIND
ALL OTHER CONTACTS.
 - 5 PART IS LUBRICATED AT TERMINAL CONTACTS
TO MINIMISE UNMATE FORCE.

OBS TIN/LEAD P/N EC NO: S2006-0729 DRWN:MLONG 2006/02/27 CHKD:SHONG 2006/02/27 APPR:KCLING 2006/02/28	REV	DESCRIPTION	QUALITY SYMBOLS ▽=0 ▽=0	GENERAL TOLERANCES (UNLESS SPECIFIED)		DIMENSION STYLE MM ONLY	SCALE NTS	DESIGN UNITS METRIC	THIRD ANGLE PROJECTION		
						DRAWN BY KCLING	DATE 1995/04/07	TITLE EBBI, RECEPTACLE, CONN. 1.27MM CTR, 68 CKTS, BTB BLIND-MATE, R/A			
						CHECKED BY SKTOH	DATE 1995/07/04				
								APPROVED BY GMS	DATE 1995/07/04	MOLEX INCORPORATED	
				DRAFT WHERE APPLICABLE MUST REMAIN WITHIN DIMENSIONS		SIZE A3	SEE TABLE	DOCUMENT NO. SD-87537-6811	SHEET NO. 2 OF 2		

9 8 7 6 5 4 3 2 1