

**PLEASE CHECK WWW.MOLEX.COM FOR LATEST PART INFORMATION**

**Part Number:** [1203090376](#)  
**Status:** **Active**  
**Description:** Micro-Change® (M12) Closure Cap, Yellow

**Documents:**

[Drawing \(PDF\)](#) [RoHS Certificate of Compliance \(PDF\)](#)

**General**

Product Family	Field Attachable / Accessories
Series	<a href="#">120309</a>
IP Rating	N/A
Product Name	Micro-Change® (M12)
Type	Accessory - Closure Cap

**Physical**

Cable Diameter	N/A
Coupling Type	N/A
Diagnostics / LEDs	No
Diagnostics Port	No
Gender	Male
Keyway	N/A
Material - Connector Body	N/A
Material - Contact	N/A
Material - Coupling Nut	N/A
Material - Plating Mating	n/a
Orientation	N/A
Poles	N/A
Temperature Range - Operating	N/A
Wire Size AWG	N/A

**Electrical**

Current - Maximum per Contact	N/A
Voltage - Maximum	N/A

**Material Info**

Old Part Number	BG12103-Y
-----------------	-----------

**Reference - Drawing Numbers**

Sales Drawing	SD-120309-003
---------------	---------------

**EU RoHS**

**ELV and RoHS  
Compliant**  
**REACH SVHC  
Contains SVHC: No**  
**Halogen-Free  
Status**

**China RoHS**



**Not Reviewed**

**Need more information on product  
environmental compliance?**

Email [productcompliance@molex.com](mailto:productcompliance@molex.com)  
 For a multiple part number RoHS Certificate of  
 Compliance, [click here](#)

Please visit the [Contact Us](#) section for any  
 non-product compliance questions.

**Search Parts in this Series**

[120309Series](#)

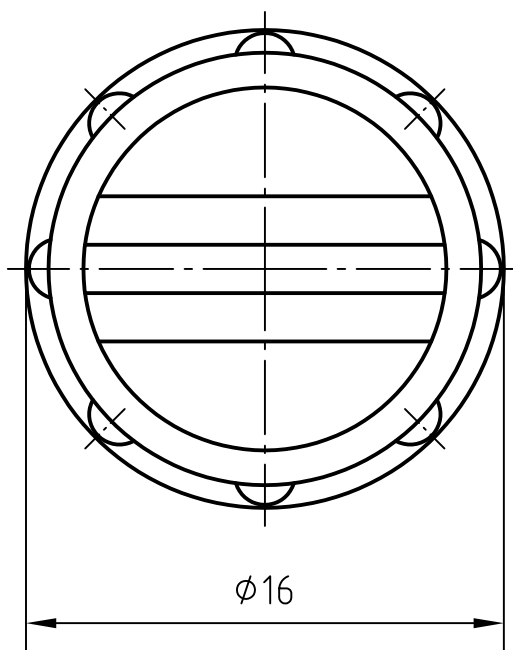
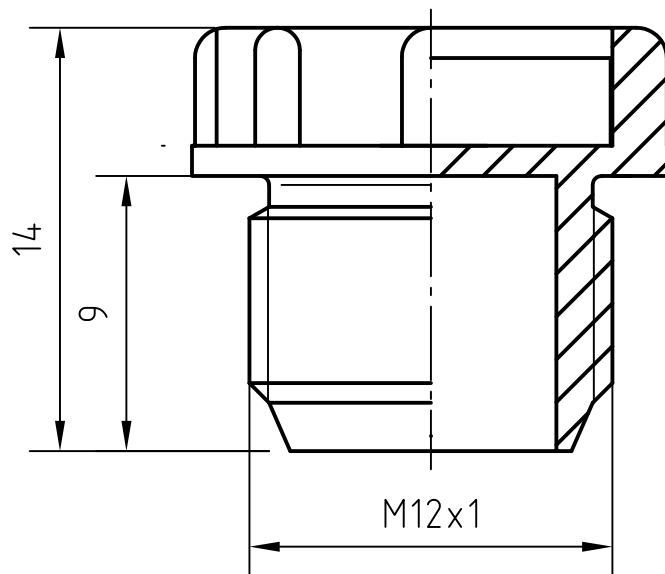
5

4

3

2

1



K922-00000-00054	M12M-CLOSURE CAP / M12M-Verschlusskappe	BLACK / schwarz	1201165014	POLYETHYLEN (PE-HD)
BG12103-Y	M12M-CLOSURE CAP / M12M-Verschlusskappe	YELLOW / gelb	1203090376	POLYETHYLEN (PE-HD)
OLD ENGIN. NUMB. Artikel-Nummer	DESCRIPTION Beschreibung	COLOR Farbe	SAP-NUMBER SAP-Nummer	MATERIAL/NOTE Material/Bemerkung

DESCRIPTION EC NO: WEU2010-0173 DRWN: REISSNER 28.10.09 CH/KD: FP APPR: NSTAUDIG 2009/12/04 REV	QUALITY SYMBOLS	GENERAL TOLERANCES (UNLESS SPECIFIED)		DIMENSION STYLE		SCALE	DESIGN UNITS	FIRST ANGLE PROJECTION	
	▼ = 0 ▽ = 0	4 PLACES	mm	INCH	MM	4:1	METRIC		
		2 PLACES	±0.05	±---					
		1 PLACE	±0.1	±---					
		ANGULAR ± --- °		DRAWN BY DATE		M12M-M-CLOSURE CAP ----- M12M VERSCHLUSSKAPPE			
	DRAFT WHERE APPLICABLE MUST REMAIN WITHIN DIMENSIONS		BB 2009/11/02						
				CHECKED BY DATE		MOLEX INCORPORATED			
				RE 2009/11/03					
				APPROVED BY DATE		DOCUMENT NO. SD-120309-003 SHEET NO. 1 OF 1			
				NSTAUDIG 2009/11/18					
				MATERIAL NO.					
				SEE TABLE					
				SIZE A4					
				THIS DRAWING CONTAINS INFORMATION THAT IS PROPRIETARY TO MOLEX INCORPORATED AND SHOULD NOT BE USED WITHOUT WRITTEN PERMISSION					

5

4

3

2

1