

PLEASE CHECK WWW.MOLEX.COM FOR LATEST PART INFORMATION

Part Number: [0357303000](#)
Status: **Active**
Description: 3.96mm (.156") Diameter Pin Terminal, Brass, 0.50mm (.020") Thickness, Wire Range 14-20 AWG (2.00-0.52mm²), Unplated

Documents:

[Drawing \(PDF\)](#) [RoHS Certificate of Compliance \(PDF\)](#)
[Product Specification PS-35730-001 \(PDF\)](#)

General

Product Family	Crimp Terminals
Series	35730
Crimp Quality Equipment	Yes
Product Name	N/A

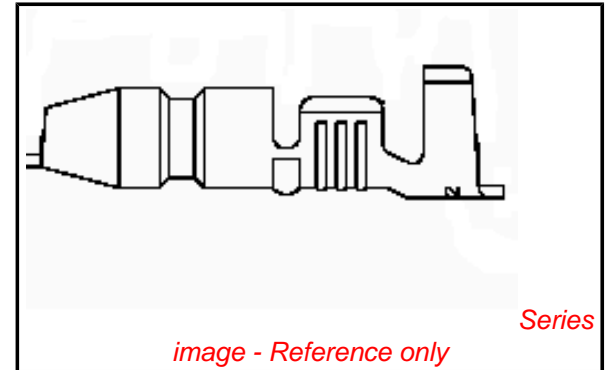
Physical

Gender	Male
Material - Metal	Brass
Material - Plating Mating	Unplated
Packaging Type	Reel
Termination Interface: Style	Crimp or Compression
Wire Insulation Diameter	3.50mm (.138") max.
Wire Size AWG	14, 16, 18, 20
Wire Size mm ²	N/A

Material Info

Reference - Drawing Numbers

Product Specification	PS-35730-001
Sales Drawing	SD-35730-30*0



EU RoHS

ELV and RoHS Compliant
REACH SVHC
Contains SVHC: No
Halogen-Free Status
Halogen-Free

China RoHS



Need more information on product environmental compliance?

Email productcompliance@molex.com
 For a multiple part number RoHS Certificate of Compliance, [click here](#)

Please visit the [Contact Us](#) section for any non-product compliance questions.

Search Parts in this Series

[35730Series](#)

Mates With

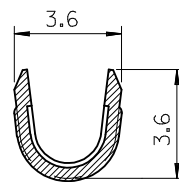
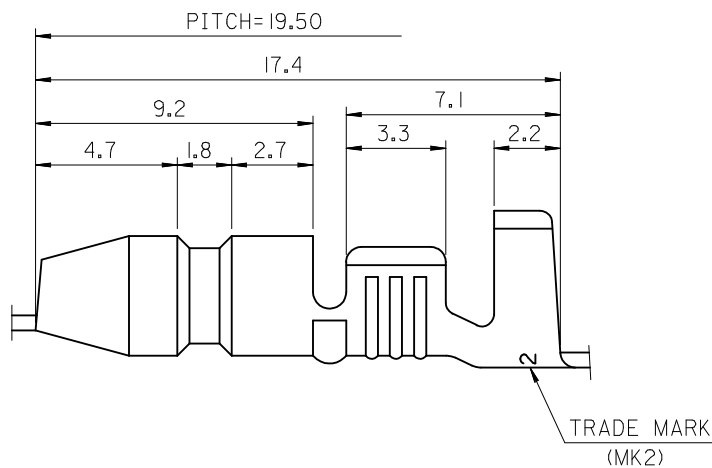
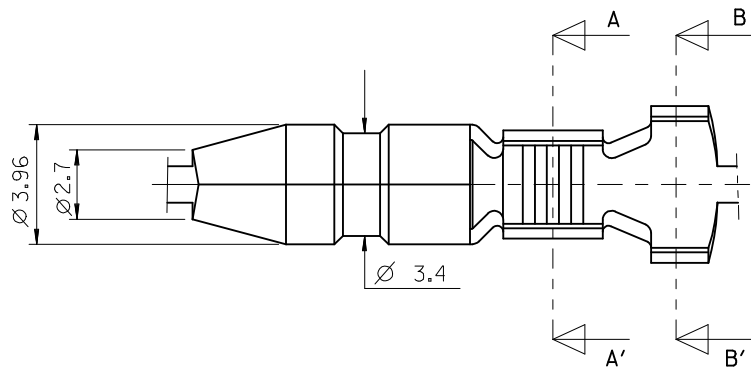
[35730-31x0](#)

Application Tooling | FAQ

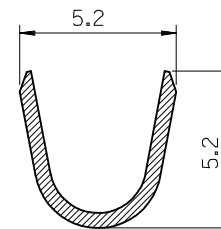
Tooling specifications and manuals are found by selecting the products below. Crimp Height Specifications are then contained in the Application Tooling Specification document.

Japan

Description	Product #
End-Feed Applicator	0573233000



SECTION A-A'



SECTION B-B'

NOTES

1. MATERIAL : BRASS
2. FINISH : 35730-3000 : UNPLATED
 ◎ 35730-3010 : TIN PLATED
 1.0 μm MIN. TIN PLATING
 OVERALL 0.3~0.8μm COPPER PLATING
3. PRODUCT SPECIFICATION : PS-35730-001
4. MATES WITH : 35730-31*0
5. APPLICABLE WIRE RANGE : AWG #20~#14

REVISED EC NO: KOR2009-0115 DRWN: JHPARK01 2009/01/29 CHKD: W. YANG 2009/01/29 APPR: YUNSIKKIM 2009/01/29	DESCRIPTION REV	QUALITY SYMBOLS ▽=0 ▽=0	GENERAL TOLERANCES (UNLESS SPECIFIED)		DIMENSION STYLE MM ONLY		SCALE 6:1	DESIGN UNITS METRIC	THIRD ANGLE PROJECTION		
			mm	INCH	DRAWN BY JS. KANG	DATE 1993/06/11	TITLE 3.96 PIN TERMINAL				
		4 PLACES	±---	±---	CHECKED BY BK. CHOI	DATE 1993/06/11					
		3 PLACES	±---	±---	APPROVED BY CW. LEE	DATE 1993/06/11	MOLEX INCORPORATED DOCUMENT NO. SD-35730-30*0				
2 PLACES	±0.20	±---	MATERIAL NO.		SHEET NO. 1 OF 01						
1 PLACE	±0.30	±---	DRAFT WHERE APPLICABLE MUST REMAIN WITHIN DIMENSIONS							SEE NOTES THIS DRAWING CONTAINS INFORMATION THAT IS PROPRIETARY TO MOLEX INCORPORATED AND SHOULD NOT BE USED WITHOUT WRITTEN PERMISSION	
		ANGULAR ±---°		SIZE A3							