

PLEASE CHECK WWW.MOLEX.COM FOR LATEST PART INFORMATION

Part Number: [0987861019](#)
Status: **Active**
Overview: [mox crimp terminals](#)
Description: 2.54mm (.100") Pitch MOX Receptacle Housing, 6 Circuits, Dual Row, Brown

Documents:

[Application Specification \(PDF\)](#) [RoHS Certificate of Compliance \(PDF\)](#)
[Drawing \(PDF\)](#)

General

Product Family	Crimp Housings
Series	98786
Comments	2x3 Circuits, Contact Retentio Force without secondary locking: 40N, with secondary locking: 60N
Overview	mox crimp terminals
Product Name	MOX

Physical

Circuits (maximum)	6
Color - Resin	Brown
Gender	Female
Glow-Wire Compliant	No
Keying to Mating Part	None
Lock to Mating Part	Yes
Material - Resin	Nylon
Number of Rows	2
Packaging Type	Bag
Panel Mount	No
Pitch - Mating Interface (in)	0.100 In
Pitch - Mating Interface (mm)	2.54 mm
Pitch - Term. Interface (in)	0.100 In
Pitch - Term. Interface (mm)	2.54 mm
Polarized to Mating Part	Yes
Stackable	No
Temperature Range - Operating	-40°C to +100°C

Electrical

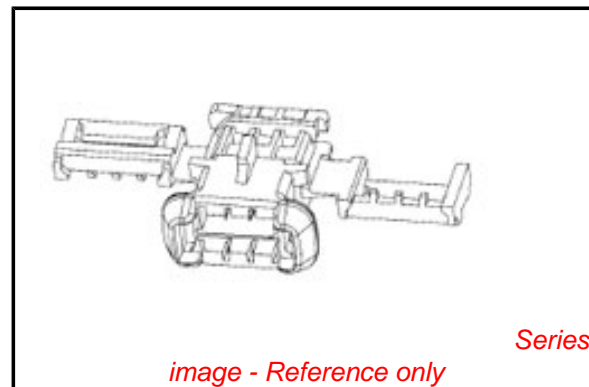
Current - Maximum per Contact	7.5A
-------------------------------	------

Material Info

Old Part Number	499212211
-----------------	-----------

Reference - Drawing Numbers

Application Specification	AS-98787-001
Packaging Specification	PK-98786-001
Sales Drawing	SD-98786-001



EU RoHS

ELV and RoHS Compliant
REACH SVHC
 Not Reviewed
Halogen-Free Status
Not Reviewed

China RoHS



Need more information on product environmental compliance?

Email productcompliance@molex.com
 For a multiple part number RoHS Certificate of Compliance, [click here](#)

Please visit the [Contact Us](#) section for any non-product compliance questions.

Search Parts in this Series

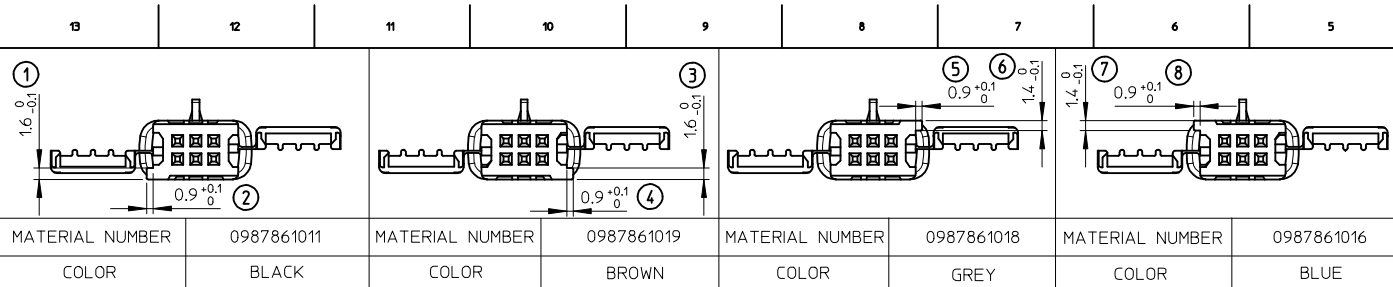
[98786Series](#)

Mates With

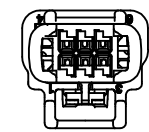
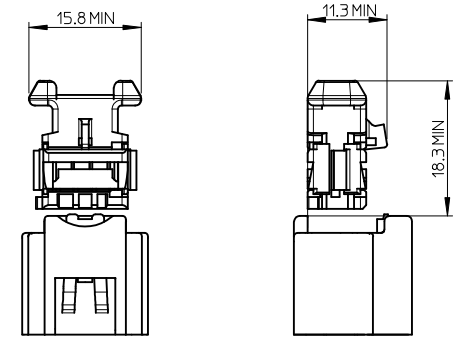
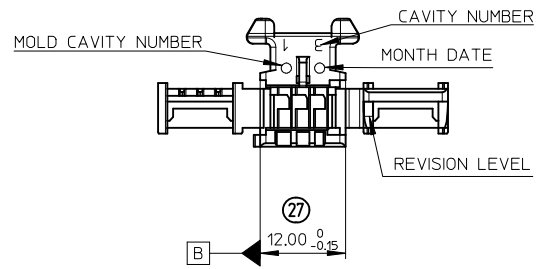
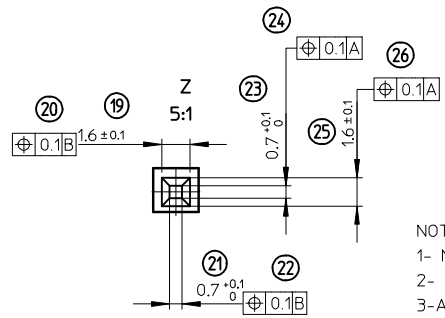
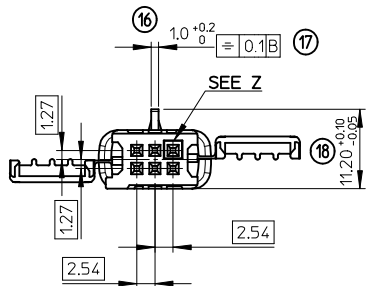
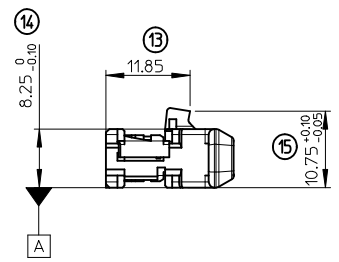
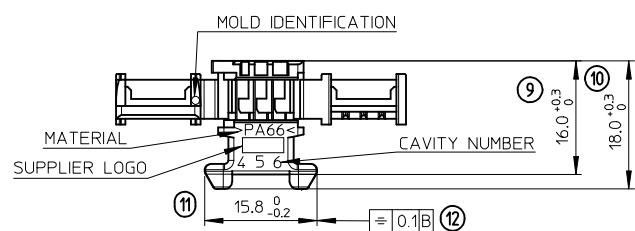
[98780](#) Male Header, [98787](#) MOX Plug Housing

Use With

[98658](#) MOX Crimp Terminal

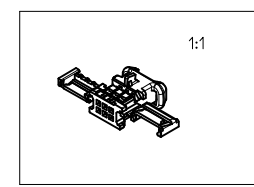


MATERIAL NUMBER	0987861011	MATERIAL NUMBER	0987861019	MATERIAL NUMBER	0987861018	MATERIAL NUMBER	0987861016
COLOR	BLACK	COLOR	BROWN	COLOR	GREY	COLOR	BLUE



NECESSARY VOLUME FOR THE HOUSING ASSEMBLY.
ALLOW AN ADDITIONAL VOLUME FOR THE UNMATING

- NOTES:
- 1- MATERIAL : POLYAMIDE (PA66) UNFILLED UL94V-2
 - 2- USE WITH : 98658 (MOX 0.63 TERMINAL)
 - 3-APPLICATION SPECIFICATION : AS-98787-001
 - 4-MATE WITH : SERIES 98787 , 98780
 - 5-WEIGHT : 1.060 g



FIRST RELEASE EC NO: G2008-0366 DRAWN: VGUERIN 2008/03/25 CHKD: JLDUCLOS 2008/03/25 APPR: LSTICKEIR 2008/03/27	DESCRIPTION	GENERAL TOLERANCES (UNLESS SPECIFIED)		DIMENSION STYLE	SCALE	DESIGN UNITS	FIRST ANGLE	
				MM ONLY	2:1	METRIC	PROJECTION	
				DRAWN BY	DATE	TITLE		
				VGUERIN	2008/03/07	MOX RCPT HSG 0.635 CEM 6CKT		
				CHECKED BY	DATE			
				JLDUCLOS	2008/03/07			
				APPROVED BY	DATE			
				LSTICKEIR	2008/03/07	MOLEX MOLEX INCORPORATED		
				MATERIAL NO.	DOCUMENT NO.	SHEET NO.		
				SEE CHART	SD-98786-001	1 OF 1		
		DRAFT WHERE APPLICABLE MUST REMAIN WITHIN DIMENSIONS		THIS DRAWING CONTAINS INFORMATION THAT IS PROPRIETARY TO MOLEX INCORPORATED AND SHOULD NOT BE USED WITHOUT WRITTEN PERMISSION				