

PLEASE CHECK WWW.MOLEX.COM FOR LATEST PART INFORMATION

Part Number: [0513532000](#)
Status: **Active**
Overview: microclasp
Description: 2.00mm (.079") Pitch MicroClasp™ Wire-to-Board Receptacle Housing, Positive Lock, Dual Row, 20 circuits

Documents:

[3D Model](#) [Product Specification PS-51353-003 \(PDF\)](#)
[Drawing \(PDF\)](#) [RoHS Certificate of Compliance \(PDF\)](#)

Agency Certification

UL E29179

General

Product Family Crimp Housings
 Series [51353](#)
 MolexKits Yes
 Overview [microclasp](#)
 Product Name MicroClasp™

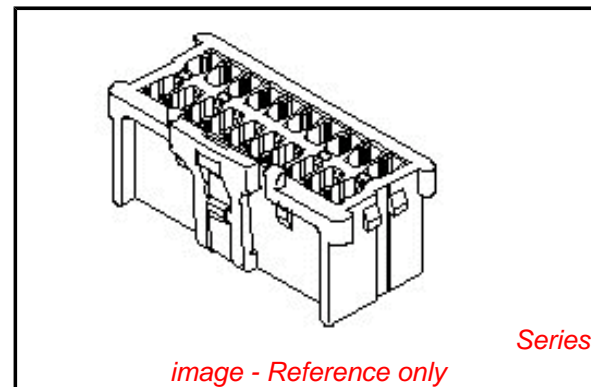
Physical

Circuits (maximum) 20
 Color - Resin White
 Flammability 94V-0
 Gender Female
 Glow-Wire Compliant No
 Lock to Mating Part Yes
 Material - Resin Nylon
 Number of Rows 2
 Packaging Type Bag
 Panel Mount No
 Pitch - Mating Interface (in) 0.079 In
 Pitch - Mating Interface (mm) 2.00 mm
 Stackable No
 Temperature Range - Operating -25°C to +85°C

Material Info

Reference - Drawing Numbers

Packaging Specification SPK-51353-001
 Product Specification PS-51353-003, RPS-501844-001, RPS-51353-008, RPS-51353-009, RPS-51353-010, RPS-51353-013, RPS-51353-014, RPS-51353-016, RPS-51353-017, RPS-51353-018, RPS-51353-019, RPS-51353-020, RPS-51353-022, RPS-51353-024, RPS-51353-025, RPS-51353-026, RPS-51353-030
 Sales Drawing SD-51353-002



EU RoHS

ELV and RoHS Compliant
REACH SVHC Contains SVHC: No
Halogen-Free Status
Not Reviewed

China RoHS



Need more information on product environmental compliance?

Email productcompliance@molex.com
 For a multiple part number RoHS Certificate of Compliance, [click here](#)

Please visit the [Contact Us](#) section for any non-product compliance questions.

Search Parts in this Series

[51353Series](#)

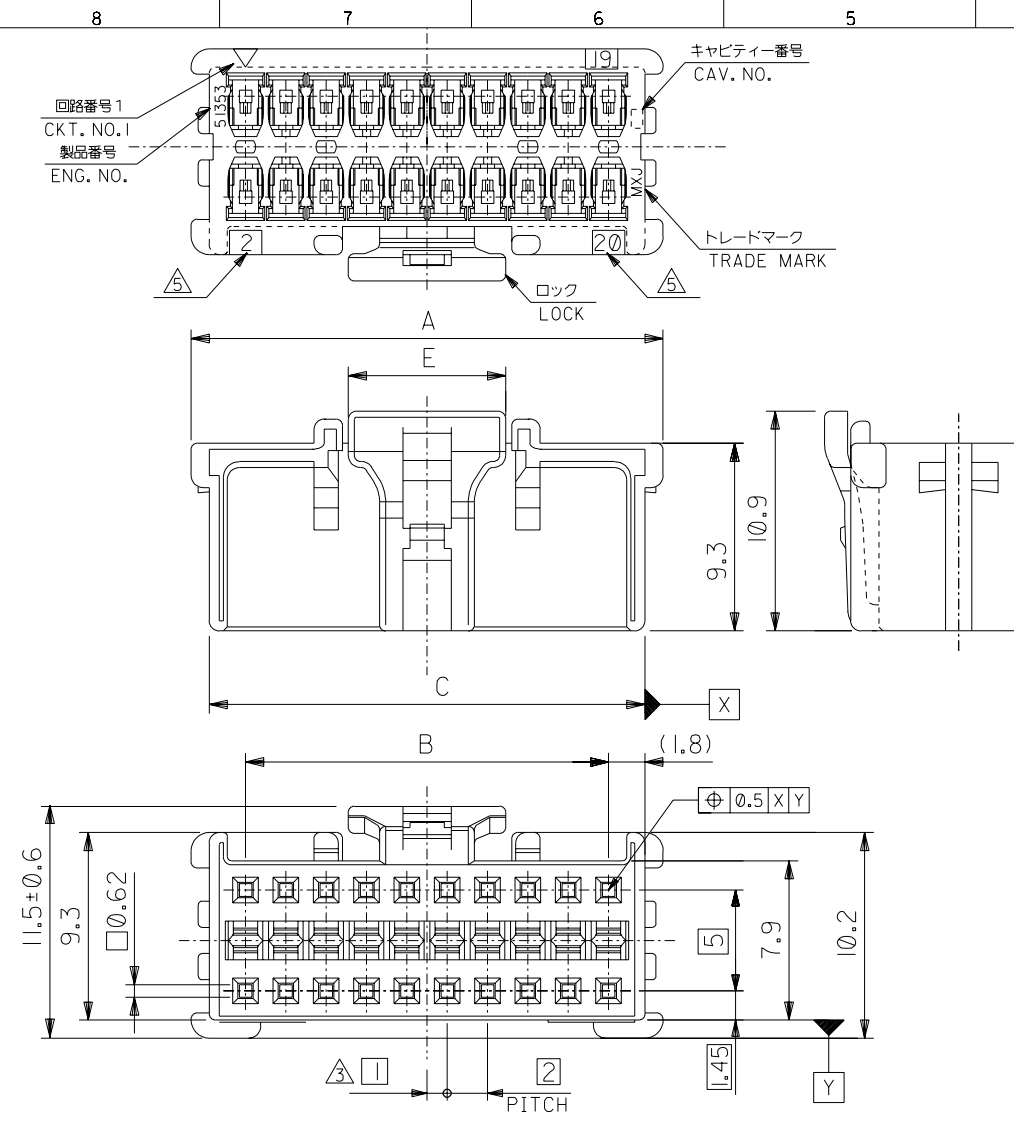
Mates With

[55917](#) Vertical Header with Kinked PC Tails, [55959](#) Right Angle Header, [501844](#) Vertical Header

Use With

[56134](#) Terminal

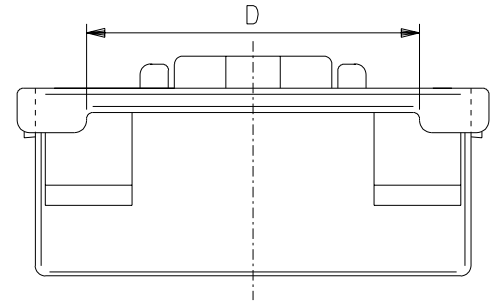
DO NOT SCALE DRAWING



注記
NOTES

- △ 適合ターミナル : 56134-9000, 9100
APPLICABLE TERMINAL : 56134-9000, 9100
- 2. 嵌合相手 : 55917, 55959 シリーズ
MATE WITH : 55917, 55959 SERIES
(全極数/2) = 偶数の場合に適用。
APPLY FOR (CIRCUIT/2)=EVEN
- △ 製品番号
MATERIAL NO. 51353-**-0*
- 極数 CIRCUIT SIZE 色 COLOR
- △ ロック側の回路番号表示は、8~14極は無し、16~40極は有り。
LOCK SIDE CKT. NO. DIDN'T INDICATED 8~14CKT,
INDICATE 16~40CKT.

ナチュラル (白) NATURAL (WHITE)	0
黒 BLACK	1
赤 RED	2
黄 YELLOW	3
青 BLUE	4
桃 PINK	5
緑 GREEN	6
茶 BROWN	7
橙 ORANGE	8
紫 VIOLET	9



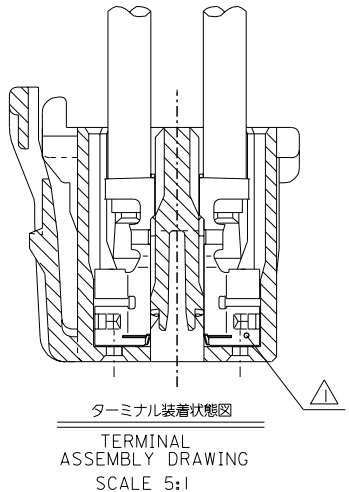
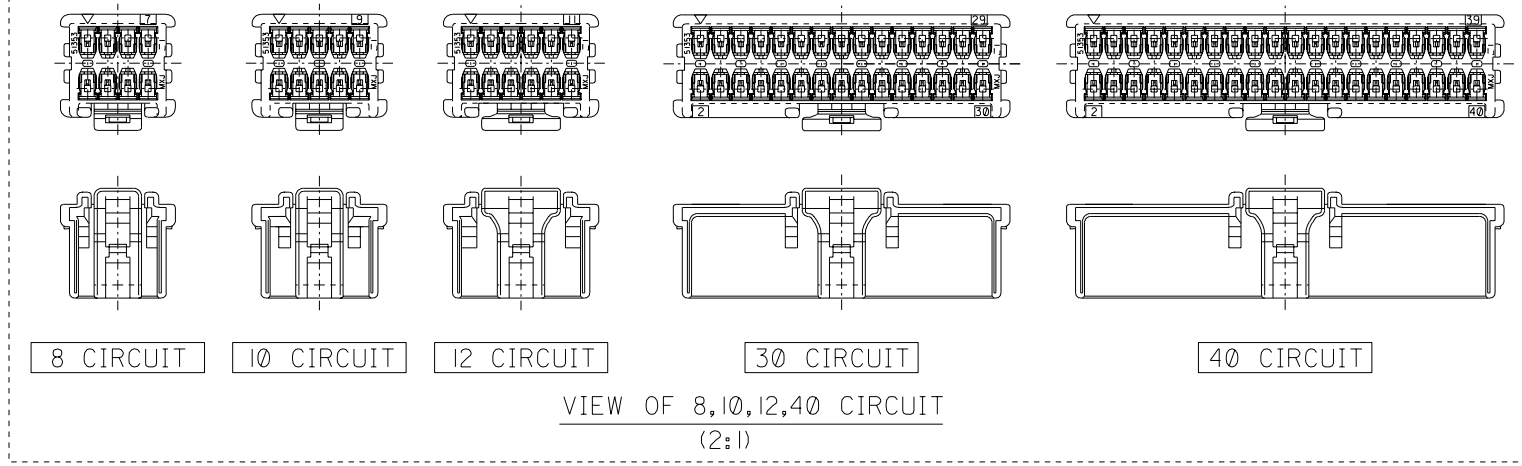
7.8	36.5	41.6	38	43.4	51353-400*	40
	34.5	39.6	36	41.4	-380*	38
	32.5	37.6	34	39.4	-360*	36
	30.5	35.6	32	37.4	-340*	34
	28.5	33.6	30	35.4	-320*	32
	26.5	31.6	28	33.4	-300*	30
	24.5	29.6	26	31.4	-280*	28
	22.5	27.6	24	29.4	-260*	26
	20.5	25.6	22	27.4	-240*	24
	18.5	23.6	20	25.4	-220*	22
	16.5	21.6	18	23.4	-200*	20
	14.5	19.6	16	21.4	-180*	18
	12.5	17.6	14	19.4	-160*	16
	10.5	15.6	12	17.4	-140*	14
7.8	8.5	13.6	10	15.4	-120*	12
4.7	6.5	11.6	8	13.4	-100*	10
4.7	4.5	9.6	6	11.4	51353-080*	8
E	D	C	B	A	MATERIAL NO.	CKT.

EC NO. DRWN: CHK: APPR:	REVISED	MATERIAL 材料 66NYLON, UL94V-0	GENERAL TOLERANCES: (UNLESS SPECIFIED) 一般公差	SCALE	DESIGN UNITS	MODEL NO.	DIMENSIONS:		SHT	REV	
	EC NO. J2003-0719 DRWN:N.ITO '02/10/22 CHK: K.ASAKAWA APPR:T.YAMAGUCHI			10 UNDER 未滿	mm	THIRD ANGLE PROJECTION	mm	INCH	mm	ONLY	REVISION ON CAD ONLY
	REVISED			10 OVER 30 UNDER 未滿	mm	INCH	mm	ONLY			
	EC NO. J2003-0066 DRWN:N.ITO '02/07/08 CHK: K.ASAKAWA APPR:T.YAMAGUCHI			30 OVER 以上	mm	INCH	mm	ONLY			
REVISED	EC NO. J2002-2307 DRWN:N.ITO '02/03/18 CHK: K.ASAKAWA APPR:T.YAMAGUCHI	FINISH 仕上げ	ANGLE	角度	TITLE:	MOLEX INCORPORATED					
REVISED	EC NO. J2002-1196 DRWN:N.ITO '01/12/17 CHK: K.ASAKAWA APPR:T.YAMAGUCHI	WIRE RANGE 適用線径範囲			2.0mm W+-B DUAL CONN DIP RCPT HOUSING	MOLEX INCORPORATED					
REVISED	EC NO. J2003-0066 DRWN:N.ITO '02/07/08 CHK: K.ASAKAWA APPR:T.YAMAGUCHI	INS. RANGE 被覆外径			CAD FILENAME	MATERIAL NO.	DRAWING NO.	SHEET NO.	REV		
REVISED	EC NO. J2003-0066 DRWN:N.ITO '02/07/08 CHK: K.ASAKAWA APPR:T.YAMAGUCHI				51353002.S01	SEE CHART	SD-51353-002	1 OF 2			
REVISED	EC NO. J2002-2307 DRWN:N.ITO '02/03/18 CHK: K.ASAKAWA APPR:T.YAMAGUCHI				THIS DRAWING CONTAINS INFORMATION THAT IS PROPRIETARY TO MOLEX INCORPORATED AND SHOULD NOT BE USED WITHOUT WRITTEN PERMISSION.				SIZE B		
REVISED	EC NO. J2002-1196 DRWN:N.ITO '01/12/17 CHK: K.ASAKAWA APPR:T.YAMAGUCHI				EN-02J(097) MXJ-54						

A
B
C
D
E
F

DWG. NO. SD-51353-002

8 7 6 5 4 3 2 1



DO NOT SCALE DRAWING

EC NO. DRWN: CHK: APPR:	REVISED EC NO. J2003-0719 DRWN:N.ITO '02/09/12 CHK: K.ASAKAWA APPR:T.YAMAGUCHI	REVISED EC NO. J2003-0066 DRWN:N.ITO '02/07/08 CHK: K.ASAKAWA APPR:T.YAMAGUCHI	REVISED EC NO. J2002-2307 DRWN:N.ITO '02/03/18 CHK: K.ASAKAWA APPR:T.YAMAGUCHI	RELEASED EC NO. J2002-1196 DRWN:N.ITO '01/12/17 CHK: K.ASAKAWA APPR:T.YAMAGUCHI
EC NO.	C	B	A	0

MATERIAL 材料	SEE CHART 1 OF 2
FINISH 仕上げ	//
WIRE RANGE 適用線径範囲	//
INS. RANGE 被覆外径	//

GENERAL TOLERANCES: (UNLESS SPECIFIED) 一般公差	
10 UNDER 未満	±0.2
10 OVER 30 UNDER 以上 未満	±0.25
30 OVER 以上	±0.3
ANGLE 角度	±3°

51353-●●0●		MODEL NO.	DIMENSIONS:		SHT	REV	
SCALE	DESIGN UNITS	THIRD ANGLE PROJECTION	<input type="checkbox"/> mm <input type="checkbox"/> INCH	<input type="checkbox"/> mm ONLY		REVISE ON CAD ONLY	
---	<input checked="" type="checkbox"/> mm <input type="checkbox"/> INCH	<input checked="" type="checkbox"/> THIRD ANGLE	TITLE: 2.0mm W-+-B DUAL CONN DIP RCPT HOUSING				
DRAWN BY & DATE N.ITO '01/12/17		APPROVED BY & DATE T.YAMAGUCHI '02/09/12				MATERIAL NO. SEE CHART	
CHECKED BY & DATE K.ASAKAWA '02/09/12		MOLEX INCORPORATED				DRAWING NO. SD-51353-002	
CAD FILENAME 51353002.S02		MATERIAL NO. SEE CHART		DRAWING NO. SD-51353-002		SHEET NO. 2 OF 2	
THIS DRAWING CONTAINS INFORMATION THAT IS PROPRIETARY TO MOLEX INCORPORATED AND SHOULD NOT BE USED WITHOUT WRITTEN PERMISSION.						SIZE B	

8 7 6 5 4 3 2 1 EN-02J(097) MXJ-54

51353002.S02