

PLEASE CHECK WWW.MOLEX.COM FOR LATEST PART INFORMATION

Part Number: [0705630015](#)
Status: **Active**
Overview: [cgrid_sl_products](#)
Description: 2.54mm (.100") Pitch SL™ Header, Single Row, Vertical, .180" Pocket, Shrouded, 16 Circuits, 0.38µm (15µ") Gold (Au) Selective Plating, Tin (Sn) PC Tail Plating

Documents:

| | |
|---|--|
| 3D Model | Product Specification PS-70400 (PDF) |
| Packaging Specification (PDF) | Product Specification PS-70541 (PDF) |
| Drawing (PDF) | RoHS Certificate of Compliance (PDF) |

Agency Certification

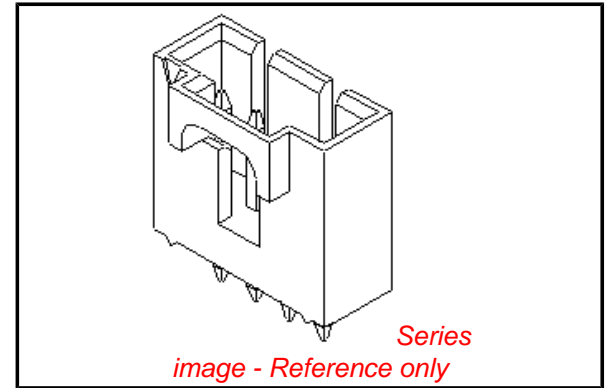
| | |
|-----|---------|
| CSA | LR19980 |
| UL | E29179 |

General

| | |
|----------------|-----------------------------------|
| Product Family | PCB Headers |
| Series | 70563 |
| Application | Wire-to-Board |
| Overview | cgrid_sl_products |
| Product Name | SL™ |

Physical

| | |
|--------------------------------|--------------------------------|
| Breakaway | No |
| Circuits (Loaded) | 16 |
| Circuits (maximum) | 16 |
| Color - Resin | Black |
| Durability (mating cycles max) | 50 |
| Flammability | 94V-0 |
| Glow-Wire Compliant | No |
| Guide to Mating Part | Yes |
| Lock to Mating Part | Yes |
| Material - Metal | Brass, Phosphor Bronze |
| Material - Plating Mating | Gold |
| Material - Plating Termination | Tin |
| Material - Resin | High Temperature Thermoplastic |
| Number of Rows | 1 |
| Orientation | Vertical |
| PC Tail Length (in) | 0.130 In |
| PC Tail Length (mm) | 3.30 mm |
| PCB Locator | No |
| PCB Retention | None |
| PCB Thickness Recommended (in) | 0.062 In |
| PCB Thickness Recommended (mm) | 1.60 mm |
| Packaging Type | Tube |
| Pitch - Mating Interface (in) | 0.100 In |
| Pitch - Mating Interface (mm) | 2.54 mm |
| Plating min: Mating (µin) | 15 |
| Plating min: Mating (µm) | 0.375 |
| Plating min: Termination (µin) | 75 |
| Plating min: Termination (µm) | 1.875 |
| Polarized to Mating Part | Yes |
| Shrouded | Fully |
| Stackable | No |
| Temperature Range - Operating | -40°C to +105°C |
| Termination Interface: Style | Through Hole |



EU RoHS

ELV and RoHS Compliant
REACH SVHC
 Not Reviewed
Halogen-Free Status
 Not Reviewed

China RoHS



Need more information on product environmental compliance?

Email productcompliance@molex.com
 For a multiple part number RoHS Certificate of Compliance, [click here](#)

Please visit the [Contact Us](#) section for any non-product compliance questions.

Search Parts in this Series

[70563Series](#)

Mates With

[70004](#)

Electrical

Current - Maximum per Contact
Voltage - Maximum

3A
250V

Solder Process Data

Lead-free Process Capability

Wave Capable (TH only)

Material Info**Reference - Drawing Numbers**

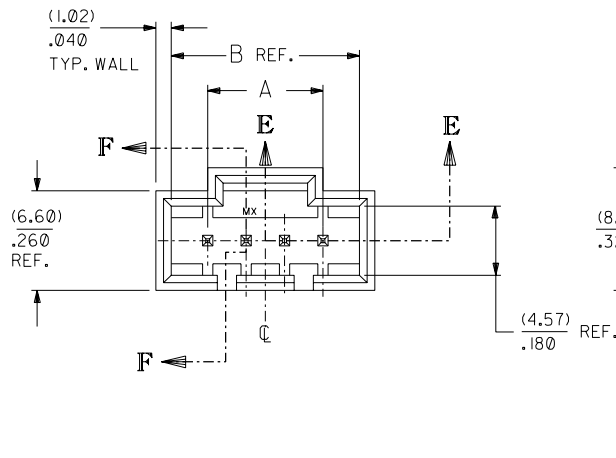
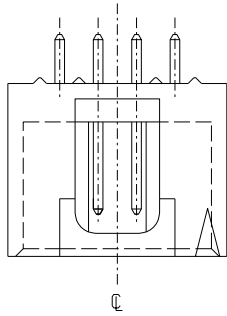
Packaging Specification
Product Specification
Sales Drawing

PK-70873-0016
PS-70400, PS-70541
SDA-70563-****

This document was generated on 05/28/2010

PLEASE CHECK WWW.MOLEX.COM FOR LATEST PART INFORMATION

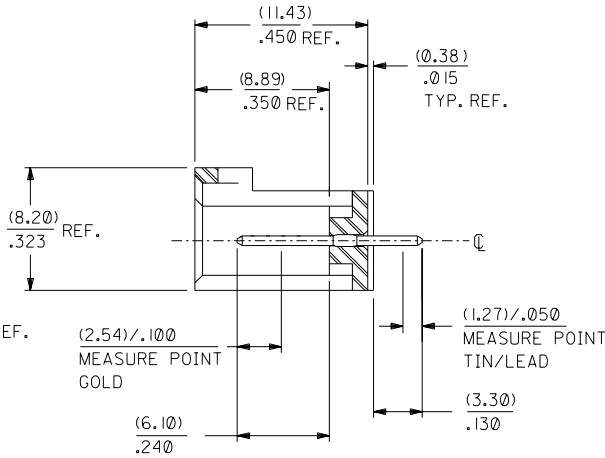
OPTION "C"



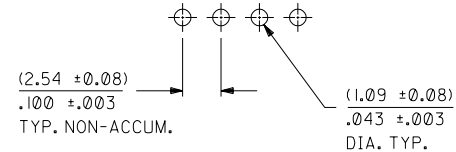
(0.64) .025 SQ. PINS
PHOSPHOR BRONZE

(2.54)
.100
TYP. REF.

SECTION E-E



SECTION F-F



RECOMMENDED P.C. BOARD LAYOUT

(FOR USE WITH (1.57) .062 THICK BOARD)

• THE PRIMARY SHIPPING CARTON WILL BE LABELED "COMPLIANT TO ROHS DIRECTIVE 2002/95/EC AND ELV ANNEX II OF DIRECTIVE 2000/53/EC". CARTONS WITHOUT THIS LABEL MAY CONTAIN PRODUCT WITH LEAD.

PLATING PER E.S.-88-***

- TIN - .000150 MINIMUM TIN PLATE OVER
.000050 MINIMUM NICKEL PLATE OVER-ALL.
- 15 GOLD - .000015 MINIMUM GOLD IN SELECT AREA
.000075 MINIMUM TIN IN SELECT AREA
.000050 MINIMUM NICKEL PLATE OVER-ALL.
- 30 GOLD - .000030 MINIMUM GOLD IN SELECT AREA
.000075 MINIMUM TIN IN SELECT AREA
.000050 MINIMUM NICKEL PLATE OVER-ALL.

| | | |
|------|-----|------|
| | 2 | B |
| | 1 | B |
| MFG. | SH. | REV. |

NOTES

- 1) MATERIAL: G.F. THERMOPLASTIC, 94V-0, COLOR-BLACK.
- 2) HEADER TO BE USED WITH NO. 70004 INTERIM CLIP, VERSION "A".
- 3) REFER TO PRODUCT SPEC: P.S.-70541.
- 4) STANDARD PACKAGING PER PK-70873-0016. OPTIONAL PACKAGING MAY BE AVAILABLE. (SEE DRAWING PK-70563-**** FOR ORDER NUMBERS)

| | | | |
|--|----------------|--|--|
| DIMENSIONS SHOWN (METRIC) INCH UNLESS OTHERWISE SPECIFIED TOLERANCES: ANGULAR ± 1/2° | | ▽ = 0 ▼ = 0 REVISE ONLY ON CAD SYSTEM | |
| INCH METRIC | | TITLE | |
| 3 PLACE ± .010 --- | --- | SALES ASSEMBLY HEADER - STRAIGHT MOUNT 100 CENTERS | |
| 2 PLACE ± .014 ± 0.25 | --- | MOLEX INCORPORATED U.S.A. SHEET NO. DATE 1 OF 2 05/13/93 | |
| 1 PLACE --- ± 0.35 | --- | PART NO. DRWG. NO. SEE CHART SDA-70563-**** | |
| DRAFT WHERE APPLICABLE MUST REMAIN WITHIN DIMENSIONS | | FILE NAME DIV. SIZE 570563X1 MCB DA C | |
| DRWG. BY: AAB | CHK'D. BY: AAB | THIS DRAWING CONTAINS INFORMATION THAT IS PROPRIETARY TO MOLEX INC. AND SHOULD NOT BE USED WITHOUT WRITTEN PERMISSION. | |
| APP'D. BY: WAZ | SCALE: 4 : 1 | | |
| LTR. REVISIONS | LTR. REVISIONS | | |

70563

| | | | | | | | | | | | | | |
|---|--------------------------------|----------------------------------|----|----|---|---|---|---|---|-----------------------|------------------------|------|----------------|
| | 13 | 12 | 11 | 10 | 9 | 8 | 7 | 6 | 5 | 4 | 3 | 2 | 1 |
| | ENGINEERING NUMBER A-70563- | MANUFACTURE RELEASE STATUS | | | | | | | | CONNECTOR END PLATING | P.C. BOARD END PLATING | | |
| | | | | | | | | | | TYPE | H MEAS. | TYPE | K MEAS. |
| J | -0003-0024 | R.F.M. | | | | | | | | 15 GOLD | (2,54) .100 | TIN | (1,27) .050 |
| | -0038-0059 | R.F.M. | | | | | | | | TIN | (2,54) .100 | TIN | (1,27) .050 |
| I | -0073-0094 | | | | | | | | | | | | |
| | -0108-0129 | R.F.M. | | | | | | | | 30 GOLD | (2,54) .100 | TIN | (1,27) .050 |
| H | | | | | | | | | | | | | |

| | | | | | | | | | | | | | | | | |
|---|------|-------------|--------------|-------------|--------------|------------|--------------|-------------|--------------|------------|------------|------------|------------|------------|------------|------|
| G | CKTS | EDP NUMBER | ENG NUMBER | EDP NUMBER | ENG NUMBER | EDP NUMBER | ENG NUMBER | EDP NUMBER | ENG NUMBER | EDP NUMBER | ENG NUMBER | EDP NUMBER | ENG NUMBER | EDP NUMBER | ENG NUMBER | CKTS |
| | 02 | N.A. | N.A. | N.A. | N.A. | N.A. | N.A. | N.A. | N.A. | | | | | | | 02 |
| | 03 | N.A. | N.A. | N.A. | N.A. | N.A. | N.A. | N.A. | N.A. | | | | | | | 03 |
| | 04 | 705-63-0003 | A-70563-0003 | 705-63-0038 | A-70563-0038 | | A-70563-0073 | 705-63-0108 | A-70563-0108 | | | | | | | 04 |
| | 05 | 705-63-0004 | A-70563-0004 | 705-63-0039 | A-70563-0039 | | A-70563-0074 | 705-63-0109 | A-70563-0109 | | | | | | | 05 |
| | 06 | 705-63-0005 | A-70563-0005 | 705-63-0040 | A-70563-0040 | | A-70563-0075 | 705-63-0110 | A-70563-0110 | | | | | | | 06 |
| F | 07 | 705-63-0006 | A-70563-0006 | 705-63-0041 | A-70563-0041 | | A-70563-0076 | 705-63-0111 | A-70563-0111 | | | | | | | 07 |
| | 08 | 705-63-0007 | A-70563-0007 | 705-63-0042 | A-70563-0042 | | A-70563-0077 | 705-63-0112 | A-70563-0112 | | | | | | | 08 |
| | 09 | 705-63-0008 | A-70563-0008 | 705-63-0043 | A-70563-0043 | | A-70563-0078 | 705-63-0113 | A-70563-0113 | | | | | | | 09 |
| | 10 | 705-63-0009 | A-70563-0009 | 705-63-0044 | A-70563-0044 | | A-70563-0079 | 705-63-0114 | A-70563-0114 | | | | | | | 10 |
| | 11 | 705-63-0010 | A-70563-0010 | 705-63-0045 | A-70563-0045 | | A-70563-0080 | 705-63-0115 | A-70563-0115 | | | | | | | 11 |
| | 12 | 705-63-0011 | A-70563-0011 | 705-63-0046 | A-70563-0046 | | A-70563-0081 | 705-63-0116 | A-70563-0116 | | | | | | | 12 |
| E | 13 | 705-63-0012 | A-70563-0012 | 705-63-0047 | A-70563-0047 | | A-70563-0082 | 705-63-0117 | A-70563-0117 | | | | | | | 13 |
| | 14 | 705-63-0013 | A-70563-0013 | 705-63-0048 | A-70563-0048 | | A-70563-0083 | 705-63-0118 | A-70563-0118 | | | | | | | 14 |
| | 15 | 705-63-0014 | A-70563-0014 | 705-63-0049 | A-70563-0049 | | A-70563-0084 | 705-63-0119 | A-70563-0119 | | | | | | | 15 |
| | 16 | 705-63-0015 | A-70563-0015 | 705-63-0050 | A-70563-0050 | | A-70563-0085 | 705-63-0120 | A-70563-0120 | | | | | | | 16 |
| | 17 | 705-63-0016 | A-70563-0016 | 705-63-0051 | A-70563-0051 | | A-70563-0086 | 705-63-0121 | A-70563-0121 | | | | | | | 17 |
| | 18 | 705-63-0017 | A-70563-0017 | 705-63-0052 | A-70563-0052 | | A-70563-0087 | 705-63-0122 | A-70563-0122 | | | | | | | 18 |
| | 19 | 705-63-0018 | A-70563-0018 | 705-63-0053 | A-70563-0053 | | A-70563-0088 | 705-63-0123 | A-70563-0123 | | | | | | | 19 |
| D | 20 | 705-63-0019 | A-70563-0019 | 705-63-0054 | A-70563-0054 | | A-70563-0089 | 705-63-0124 | A-70563-0124 | | | | | | | 20 |
| | 21 | 705-63-0020 | A-70563-0020 | 705-63-0055 | A-70563-0055 | | A-70563-0090 | 705-63-0125 | A-70563-0125 | | | | | | | 21 |
| | 22 | 705-63-0021 | A-70563-0021 | 705-63-0056 | A-70563-0056 | | A-70563-0091 | 705-63-0126 | A-70563-0126 | | | | | | | 22 |
| | 23 | 705-63-0022 | A-70563-0022 | 705-63-0057 | A-70563-0057 | | A-70563-0092 | 705-63-0127 | A-70563-0127 | | | | | | | 23 |
| | 24 | 705-63-0023 | A-70563-0023 | 705-63-0058 | A-70563-0058 | | A-70563-0093 | 705-63-0128 | A-70563-0128 | | | | | | | 24 |
| | 25 | 705-63-0024 | A-70563-0024 | 705-63-0059 | A-70563-0059 | | A-70563-0094 | 705-63-0129 | A-70563-0129 | | | | | | | 25 |

| | | | | | | | | | | | | | | | | |
|---|--|--|--|--|--|--|--|--|--|--|--|--|--|--|--|--|
| C | | | | | | | | | | | | | | | | |
| B | | | | | | | | | | | | | | | | |

| | | | |
|---|----------------------------|---|--|
| DIMENSIONS SHOWN (METRIC) INCH UNLESS OTHERWISE SPECIFIED TOLERANCES ANGULAR ± 1/2° | | ▽ = 0 ▽ = 0 REVISE ONLY ON CAD SYSTEM | |
| 3 PLACE ± --- --- 2 PLACE ± --- ± --- 1 PLACE --- ± --- | | TITLE SALES ASSEMBLY HEADER - STRAIGHT MOUNT 100 CENTERS | |
| DRAWING WHERE APPLICABLE MUST REMAIN WITHIN DIMENSIONS | | MOLEX INCORPORATED SHEET NO. DATE LITSE,ILL. 60532 U.S.A. 2 05/13/93 | |
| PART NO. DRWG. NO. SEE CHART SDA-70563-**** | | FILE NAME DIV. SIZE 570563X2 MOLEX INC. AND SHOULD NOT BE USED WITHOUT WRITTEN PERMISSION DA C | |
| DRWG. BY: AAB CHK'D. BY: AAB | APPR'D. BY: WAZ SCALE: : | | |
| LTR. REVISIONS | LTR. REVISIONS | | |

| | | | | | | | | | | | | |
|----|----|----|----|---|---|---|---|---|---|---|---|---|
| 13 | 12 | 11 | 10 | 9 | 8 | 7 | 6 | 5 | 4 | 3 | 2 | 1 |
|----|----|----|----|---|---|---|---|---|---|---|---|---|