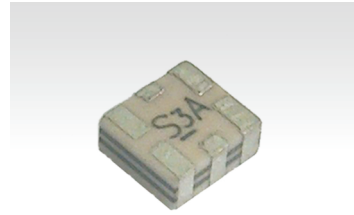


Filter SMD, Ceramic

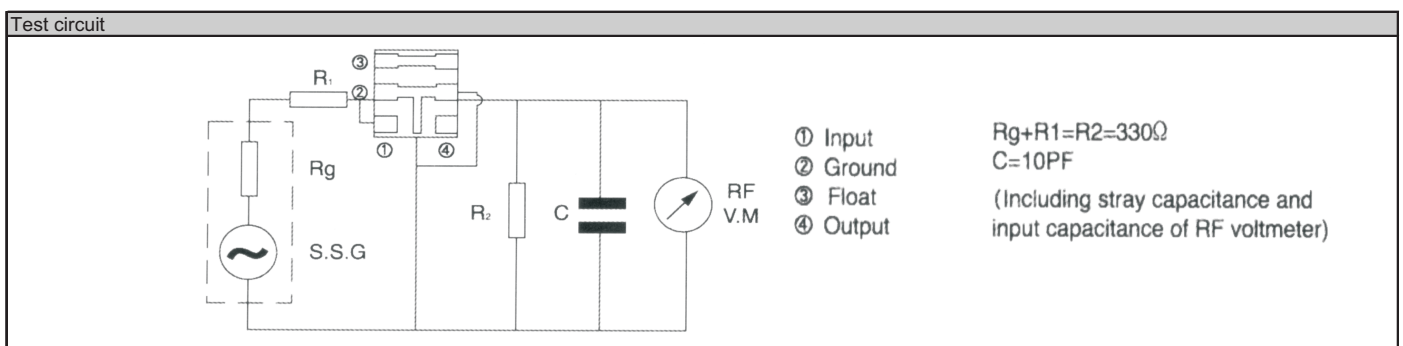
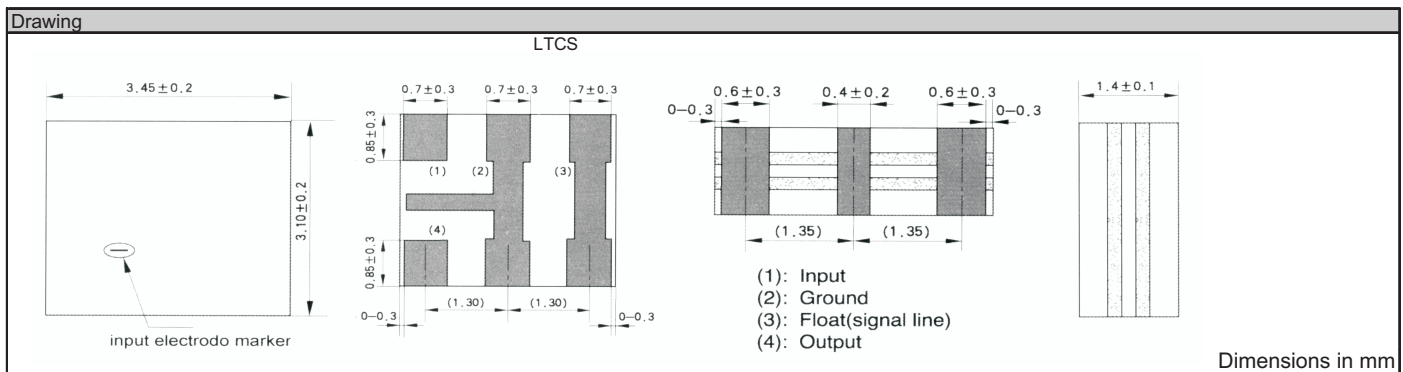


LTCS

Features:

- 10.7 MHz
- Low cost
- Consumer electronics

Specifications				
Part	S3	S2	A5	A20
3 db band width (kHz)	180 ±40	230 ±50	280 ±50	330 ±50
20 db band width (kHz) max	470	510	590	700
Insert loss (dB)	4.5 ±2.0	3.5 ±2.0	3.0 ±2.0	3.0 ±2.0
Spurious attenuation (9-12MHz)(dB)min	30	30	30	30



Order Key			
F	-LTCS	-A	-10.700 M
Part	Package	Individual specification	Center frequency
F= Ceramic Filter	LTCS	S3 S2 A5 A20	M=MHz