

PLEASE CHECK WWW.MOLEX.COM FOR LATEST PART INFORMATION

Part Number: [0353010650](#)
Status: **Active**
Description: 2.50mm (.098") Pitch SPOX™ Wire-to-Board Header, Vertical, Shrouded, Tube Packaged Version of 5267, 6 Circuits, Tin (Sn) Plating, with Swaged PC Tails

Documents:

[3D Model](#) [Product Specification PS-35301-001 \(PDF\)](#)
[Drawing \(PDF\)](#) [RoHS Certificate of Compliance \(PDF\)](#)

Agency Certification

CSA LR 19980
 UL E29179

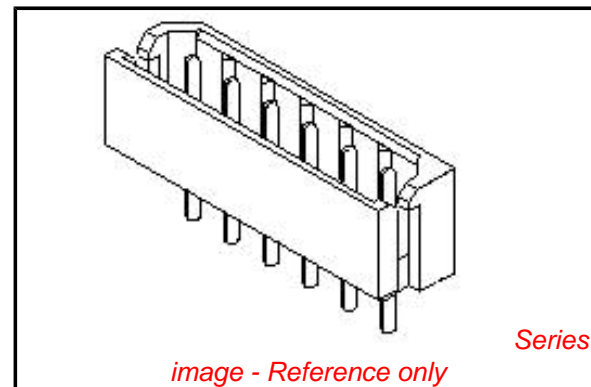
General

Product Family PCB Headers
 Series [35301](#)
 Application Wire-to-Board
 Product Name SPOX™

Physical

Breakaway No
 Circuits (Loaded) 6
 Circuits (maximum) 6
 Color - Resin Natural
 Durability (mating cycles max) 30
 First Mate / Last Break No
 Flammability 94V-0
 Glow-Wire Compliant No
 Guide to Mating Part No
 Keying to Mating Part None
 Lock to Mating Part Yes
 Material - Plating Mating Tin
 Material - Plating Termination Tin
 Material - Resin Nylon
 Number of Rows 1
 Orientation Vertical
 PCB Locator No
 PCB Retention Yes
 PCB Thickness Recommended (in) 0.062 In
 PCB Thickness Recommended (mm) 1.60 mm
 Packaging Type Tube
 Pitch - Mating Interface (in) 0.098 In
 Pitch - Mating Interface (mm) 2.50 mm
 Plating min: Mating (µin) 160
 Plating min: Mating (µm) 4
 Plating min: Termination (µin) 160
 Plating min: Termination (µm) 4
 Polarized to Mating Part Yes
 Polarized to PCB No
 Shrouded Partial
 Stackable No
 Surface Mount Compatible (SMC) No
 Temperature Range - Operating -40°C to +105°C
 Termination Interface: Style Through Hole

Electrical



EU RoHS

ELV and RoHS Compliant
REACH SVHC
 Not Reviewed
Halogen-Free Status
Not Reviewed

China RoHS



Need more information on product environmental compliance?

Email productcompliance@molex.com
 For a multiple part number RoHS Certificate of Compliance, [click here](#)

Please visit the [Contact Us](#) section for any non-product compliance questions.

Search Parts in this Series

[35301Series](#)

Mates With

[5264](#) SPOX™ Wire-to-Board Crimp Housing. [42219](#) SPOX™ IDT Receptacle Housing

Current - Maximum per Contact
Voltage - Maximum

3A
250V

Material Info

Reference - Drawing Numbers

Product Specification
Sales Drawing

PS-35301-001
SD-35301-001, SD-35301-012

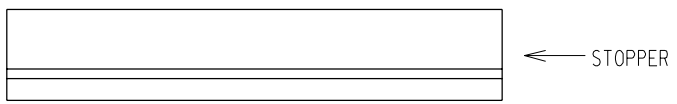
This document was generated on 04/13/2010

PLEASE CHECK WWW.MOLEX.COM FOR LATEST PART INFORMATION

DWG. NO. SD-35301-001

SIMILAR ITEM

PROJECT NO.



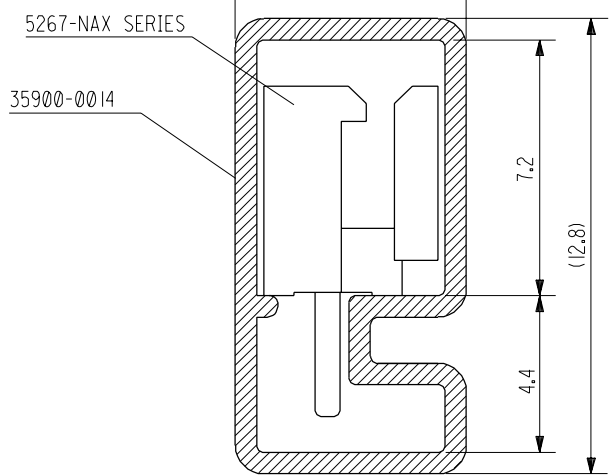
VIEW V

NOTES

1. PACKING TYPE : STOPPER & STICKER LOCKING TYPE(GENERAL)
: VINYL & STOPPER LOCKING TYPE(FOR S/S)
2. THICKNESS : 0.6 †
3. LENGTH : 550 mm

LEGEND

35301- ** 5 *
 COLOR : 0 --- NATURAL
 1 --- BLACK
 2 --- RED
 3 --- YELLOW
 4 --- BLUE
 CKT (02 , 03 , 04)



15	35301-155*	35301155*	10
14	-145*	35301145*	10
13	-135*	35301135*	15
12	-125*	35301125*	15
11	-115*	35301115*	15
10	-105*	35301105*	15
9	-095*	35301095*	20
8	-085*	35301085*	20
7	-075*	35301075*	25
6	-065*	35301065*	30
5	-055*	35301055*	35
4	-045*	35301045*	40
3	-035*	35301035*	50
2	35301-025*	35301025*	70
CKTS	ENG. NO.	MAT'L NO.	Q'TY/TUBE

NEW RELEASED EC NO. KOR2001-0048 DRWN: K.S.KIM (011130) CH'K: J.K.OH APPR: C.W.LEE	QUALITY SYMBOLS MAJOR = CRITICAL =	GENERAL TOLERANCES: (UNLESS SPECIFIED)		SCALE NONE	DESIGN UNITS <input checked="" type="checkbox"/> mm <input type="checkbox"/> INCH	THIRD ANGLE PROJECTION	DIMENSIONS: <input type="checkbox"/> mm <input type="checkbox"/> INCH <input checked="" type="checkbox"/> mm ONLY	SHT REV
		4 PLACES ±0.1 mm ±.1 INCH 3 PLACES ±0.1 mm ±.1 INCH 2 PLACES ±0.1 mm ±.1 INCH 1 PLACE ±0.4 mm ±.1 INCH	ANGULAR: ± 3 °	DRAWN BY & DATE K.S.KIM (011130)	TITLE: TUBE PACKAGED FOR 5267-NAX SERIES			
DESCRIPTION REV	A	DRAFT WHERE APPLICABLE MUST REMAIN WITHIN DIMENSIONS		APPROVED BY & DATE C.W.LEE	MOLEX INCORPORATED KOREA			
		CAD FILENAME SD35301A.dgn		MATERIAL NO. SEE TABLE	DRAWING NO. SD-35301-001	SHEET NO. 1 OF 1		SIZE A

DWG. NO.

SIMILAR ITEM

PROJECT NO.

B

DO NOT SCALE DRAWING
DIMENSION IN METRIC

8 7 6 5 4 3 2 1

F

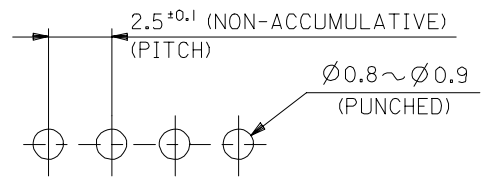
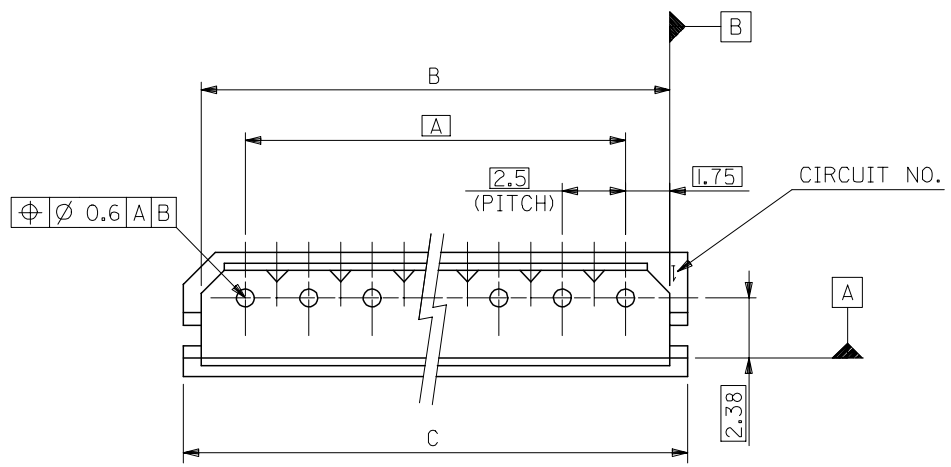
E

D

C

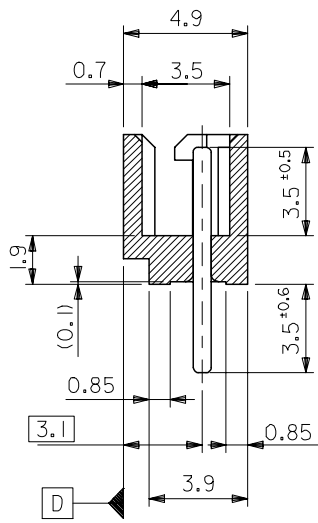
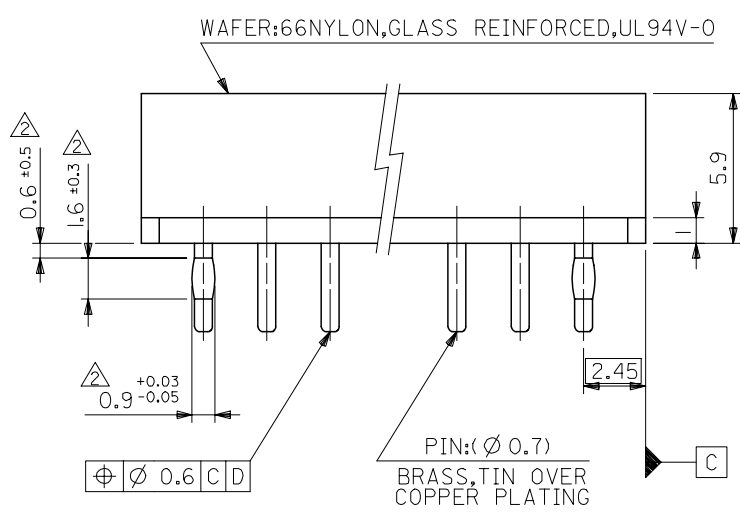
B

A



RECOMMENDED P.C.BOARD HOLE DIM.
(t=1.6)

NOTES:
I. MATES WITH : 5264 SERIES.
△ APPLIES : PIN, BOTH ENDS



39.9	38.5	35	99-99-0999	5267-15A-X	35301-1550	15
37.4	36	32.5	-0998	-14A-X	35301-1450	14
34.9	33.5	30	-0997	-13A-X	35301-1350	13
32.4	31	27.5	-0996	-12A-X	35301-1250	12
29.9	28.5	25	-0995	-11A-X	35301-1150	11
27.4	26	22.5	-0994	-10A-X	35301-1050	10
24.9	23.5	20	-0993	-09A-X	35301-0950	9
22.4	21	17.5	-0992	-08A-X	35301-0850	8
19.9	18.5	15	-0991	-07A-X	35301-0750	7
17.4	16	12.5	-0990	-06A-X	35301-0650	6
14.9	13.5	10	-0989	-05A-X	35301-0550	5
12.4	11	7.5	-0988	-04A-X	35301-0450	4
9.9	8.5	5	-0987	-03A-X	35301-0350	3
7.4	6	2.5	99-99-0986	5267-02A-X	35301-0250	2
C	B	A	EDP NO.	ENG NO.	ENG NO.	NO OF CKT.
			APPLIED CONNECTOR			

ANGLE	$\pm 3^\circ$
30 OVER	± 0.3
10 OVER 30 UNDER	± 0.25
10 UNDER	± 0.2
GENERAL TOLERANCES	

NEW RELEASED
ECN NO. KOR2008-0082
DRWN: K.S.KIM (060102)
CHK: Y.SooKIM
APPR: SH.CHOI

DESCRIPTION

REV

QUALITY SYMBOLS

MAJOR

CRITICAL

GENERAL TOLERANCES: (UNLESS SPECIFIED)	
mm	INCH
4 PLACES	$\pm 0. \quad \pm -$
3 PLACES	$\pm 0. \quad \pm -$
2 PLACES	$\pm 0. \quad \pm -$
1 PLACE	$\pm 0. \quad \pm -$
ANGULAR: $\pm \quad ^\circ$	
DRAFT WHERE APPLICABLE MUST REMAIN WITHIN DIMENSIONS	

SCALE 5:1

DESIGN UNITS mm INCH

THIRD ANGLE PROJECTION

DIMENSIONS: mm INCH mm ONLY

SHT REV

REVISE ON CAD ONLY

DRAWN BY & DATE
K.S.KIM (060102)

CHECKED BY & DATE
Y.SooKIM

APPROVED BY & DATE
SH.CHOI

CAD FILENAME

MATERIAL NO.

DRAWING NO.
SD-35301-012

SHEET NO.
1 OF 1

SIZE B

THIS DRAWING CONTAINS INFORMATION THAT IS PROPRIETARY TO MOLEX INCORPORATED AND SHOULD NOT BE USED WITHOUT WRITTEN PERMISSION.

KOREA MX-A3

8 7 6 5 4 3 2 1 KOREA MX-A3