

**PLEASE CHECK WWW.MOLEX.COM FOR LATEST PART INFORMATION**

**Part Number:** [0981941212](#)  
**Status:** **Active**  
**Overview:** [mox crimp terminals](#)  
**Description:** 2.54mm (.100") Pitch MOX FFC/FPC Solder Terminal, Female, 0.635mm (.025"), Reel, Tin (Sn), Solder

**Documents:**

[Drawing \(PDF\)](#) [RoHS Certificate of Compliance \(PDF\)](#)

**General**

Product Family	Crimp Terminals
Series	<a href="#">98194</a>
Comments	Terminal has Stainless Steel Sleeve
Crimp Quality Equipment	Yes
Overview	<a href="#">mox crimp terminals</a>
Product Name	MOX

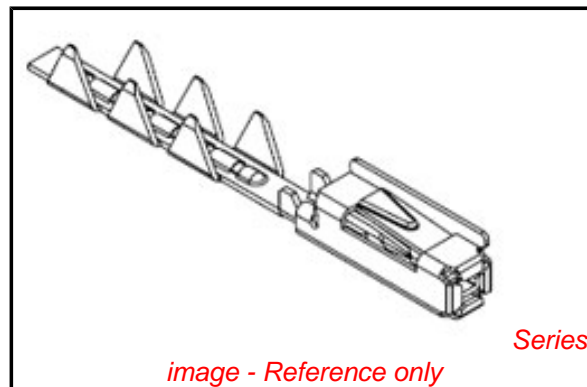
**Physical**

Gender	Female
Material - Metal	Copper-Nickel-Silicon, Stainless Steel
Material - Plating Mating	Tin
Material - Plating Termination	Tin
Packaging Type	Reel
Plating min: Mating (µin)	40.00
Plating min: Mating (µm)	1.000
Plating min: Termination (µin)	40.00
Plating min: Termination (µm)	1.00
Termination Interface: Style	Crimp or Compression
Wire Insulation Diameter	see sales drawing
Wire Size AWG	N/A
Wire Size mm <sup>2</sup>	N/A

**Material Info**

**Reference - Drawing Numbers**

Packaging Specification	PK-98194-002
Sales Drawing	SD-98194-003



**EU RoHS**

**ELV and RoHS Compliant**  
**REACH SVHC**  
 Not Reviewed  
**Halogen-Free Status**  
 Not Reviewed

**China RoHS**



**Need more information on product environmental compliance?**

Email [productcompliance@molex.com](mailto:productcompliance@molex.com)  
 For a multiple part number RoHS Certificate of Compliance, [click here](#)

Please visit the [Contact Us](#) section for any non-product compliance questions.

**Search Parts in this Series**

[98194Series](#)

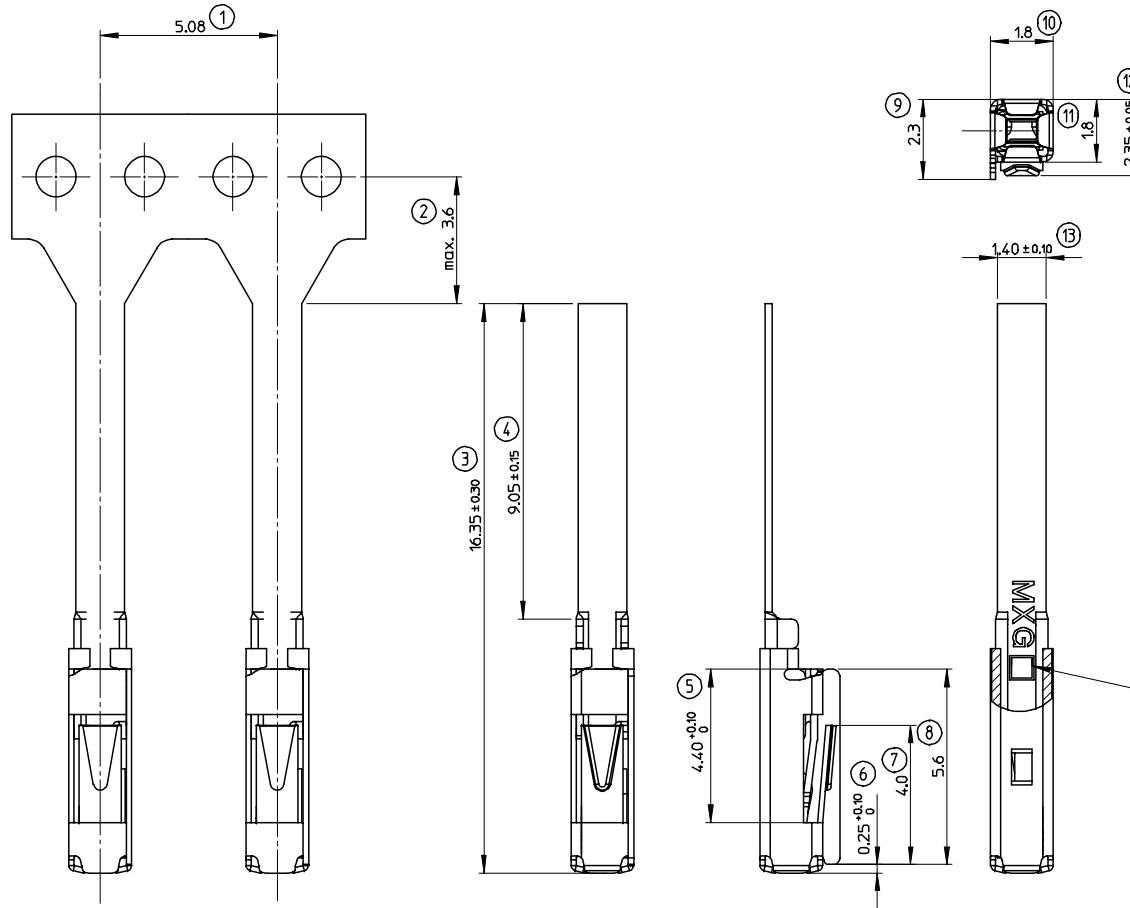
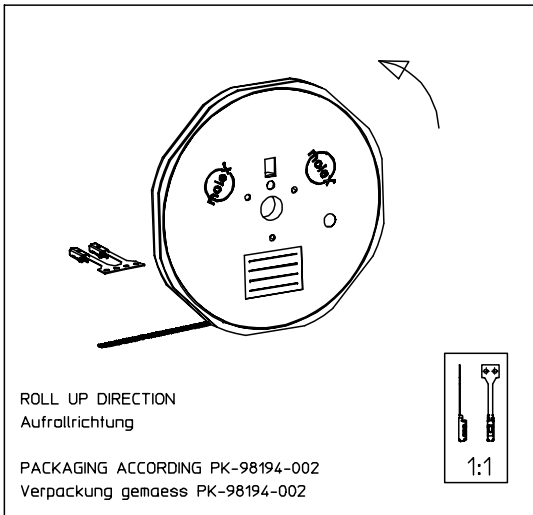
**Mates With**

USCAR 0.635mm (.025") blade terminals

NOTES / Bemerkungen:

INSERTION FORCE (1.INSERTION) MAX. 4N MEASURED ON AN UNMATED AND NOT GREASED TERMINAL  
Steckkraft (1.Steckung) max. 4N gemessen mit ungesteckten und entfetteten Kontakten

FOR CONTACT PIN 0.63MM X 0.63MM  
Fuer Kontaktpin 0,63mm X 0,63mm



TOOL MODIFICATION INDEX  
Werkzeugistkennzeichnung

TERMINAL MATERIAL NUMBER	PART NAME	MATERIAL TERMINAL'S BODY	MATERIAL TERMINAL'S SLEEVE	PART WEIGHT (grams)
0981941212	MOX RCPT CONT 0.64 FFC SDR SN PRE PLT	CuNiSI TIN PLATED TIN THICKNESS: 1-3µ	STAINLESS STEEL X12 Cr Ni 17.7	Body: 0.1047 Sleeve: 0.05

ENTER DESCRIPTION EC NO.: G2006-0069 DRAWN BY: DRW:MAHLER CHK'D BY: CHK'D:PSJOLTZ APPR: JAR-MAND DATE: 2005/12/13 DATE: 2005/12/16 DATE: 2005/12/19	QUALITY SYMBOLS ▽=0 ▽=0	GENERAL TOLERANCES (UNLESS SPECIFIED)		DIMENSION STYLE MM ONLY		SCALE 10:1	DESIGN UNITS METRIC	FIRST ANGLE PROJECTION	
		4 PLACES ± --- ± --- 3 PLACES ± --- ± --- 2 PLACES ± 0.05 ± --- 1 PLACE ± 0.10 ± --- ANGULAR ± 1/2°	mm INCH ± --- ± --- ± --- ± --- ± --- ± --- ± --- ± ---	DRAWN BY: MMH DATE: 01/09/05 CHECKED BY: CHO DATE: 01/09/05 APPROVED BY: JAR DATE: 01/09/05	TITLE MOX RCPT CONT 0.635 FFC SDR VER		MATERIAL NO.: 0981941212 DOCUMENT NO.: SD-98194-003		MOLEX INCORPORATED
DRAFT WHERE APPLICABLE MUST REMAIN WITHIN DIMENSIONS		THIS DRAWING CONTAINS INFORMATION THAT IS PROPRIETARY TO MOLEX INCORPORATED AND SHOULD NOT BE USED WITHOUT WRITTEN PERMISSION							

