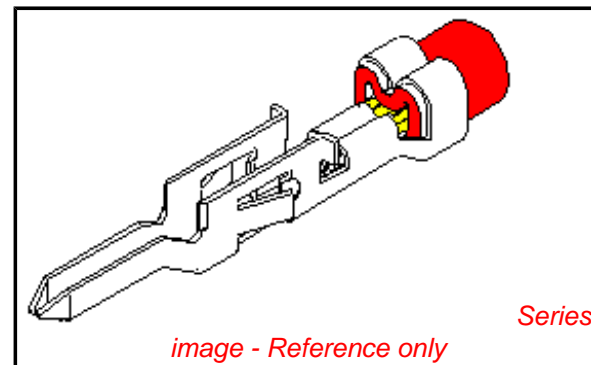


PLEASE CHECK WWW.MOLEX.COM FOR LATEST PART INFORMATION

Part Number: **0039000121**
Status: **Active**
Overview: [minifit_jr](#)
Description: 4.20mm (.165") Pitch Mini-Fit™ Crimp Terminal, Male, with Tin (Sn) Plated Brass Contact, 18-24 AWG, Bag

Documents:

Test Summary (PDF)	Product Specification PS-5556-002 (PDF)
Drawing (PDF)	Product Specification PS-5556-003 (PDF)
Product Specification PS-5556-001 (PDF)	RoHS Certificate of Compliance (PDF)



General

Product Family	Crimp Terminals
Series	5558
Crimp Quality Equipment	Yes
Overview	minifit_jr
Product Name	Mini-Fit®

Physical

Durability (mating cycles max)	30
Gender	Male
Material - Metal	Brass
Material - Plating Mating	Tin
Material - Plating Termination	Tin
Packaging Type	Bag
Plating min: Mating (µin)	100
Plating min: Mating (µm)	2.5
Plating min: Termination (µin)	100
Plating min: Termination (µm)	2.5
Termination Interface: Style	Crimp or Compression
Wire Insulation Diameter	1.30-3.10mm (.051-.122")
Wire Size AWG	18, 20, 22, 24
Wire Size mm²	N/A

Electrical

Current - Maximum per Contact	9A
Voltage - Maximum	600V

Solder Process Data

Lead-free Process Capability	SMC & Wave Capable (TH only)
Process Temperature max. C	260

Material Info

Old Part Number	5558-SL
-----------------	---------

Reference - Drawing Numbers

Packaging Specification	PK-5556-003
Product Specification	PS-5556-001, PS-5556-002, PS-5556-003
Test Summary	TS-5556-002

EU RoHS

**ELV and RoHS
Compliant
REACH SVHC
Contains SVHC: No
Halogen-Free
Status
Halogen-Free**

China RoHS



Need more information on product environmental compliance?

Email productcompliance@molex.com
 For a multiple part number RoHS Certificate of Compliance, [click here](#)

Please visit the [Contact Us](#) section for any non-product compliance questions.

Search Parts in this Series

5558Series

Mates With

5556 Mini-Fit™ Crimp Terminal

Use With

5559 Mini-Fit Jr.™ Plug Housing, 30068 Mini-Fit TPA™ Plug Housing, 42475 Mini-Fit BMI™ Plug Housing

Application Tooling | FAQ

Tooling specifications and manuals are found by selecting the products below. Crimp Height Specifications are then contained in the Application Tooling Specification document.

Global

Description	Product #
FineAdjust™ Applicator for Mini-Fit Jr.™, Mini-Fit HCS™ Crimp Terminals, 18-24 AWG and smaller insulation	0639015600

T2 Terminator Die	<u>0639102600</u>
FineAdjust™	<u>0639002600</u>
Applicator	
FineAdjust™	<u>0639002900</u>
Applicator, Small	
Insulation	
T2 Terminator	<u>0639102900</u>
Tooling Die	
Extraction Tool	<u>0011030044</u>
Hand Crimp Tool for	<u>0638190900</u>
Mini-Fit™ Jr. Male	
and Female Crimp	
Terminals, 16-24	
AWG	

This document was generated on 06/01/2010

PLEASE CHECK WWW.MOLEX.COM FOR LATEST PART INFORMATION

NOTES:

1. MATERIAL:

A. CDA 260 BRASS, .008/(0.20) THICK.

B. CDA 510 PHOS. BRONZE .008/(0.20) THICK.

2. PLATING:

.000100/(.00254) MIN. TIN OVER .000050/(.00127) MIN. NICKEL (POST-PLATE).

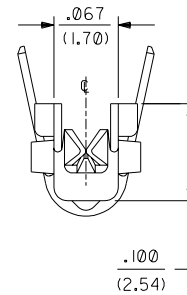
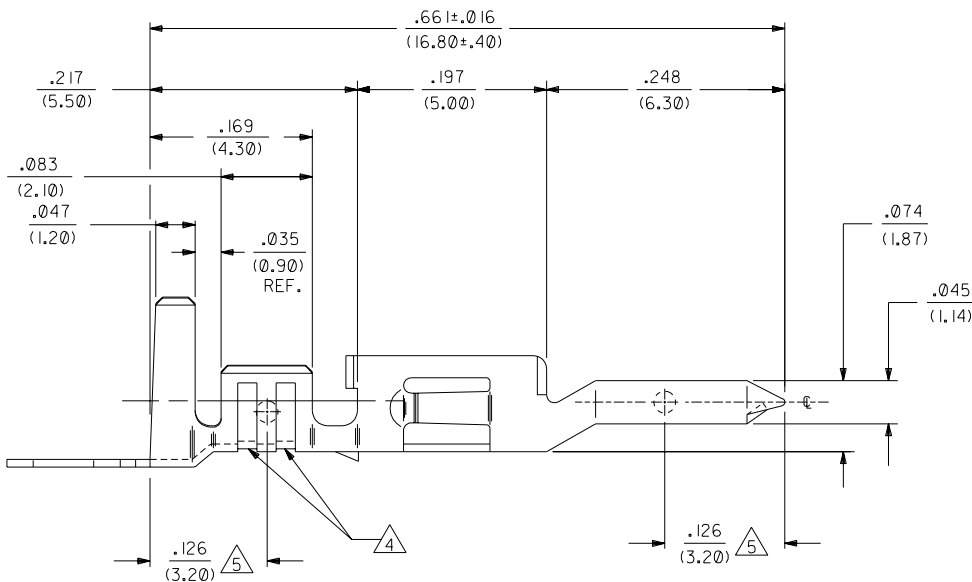
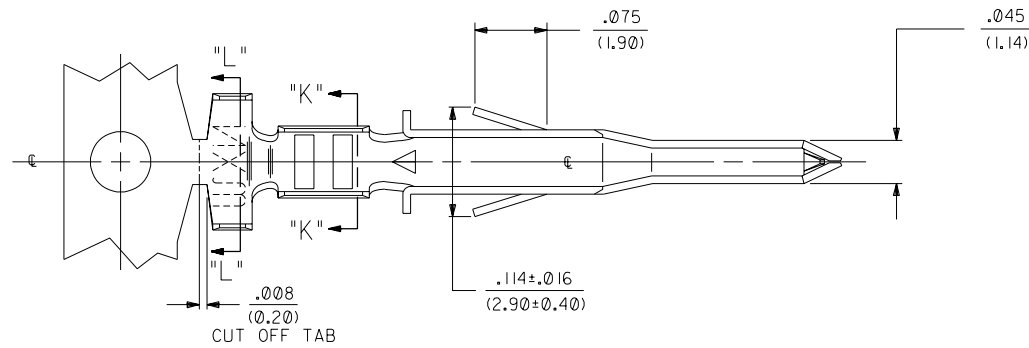
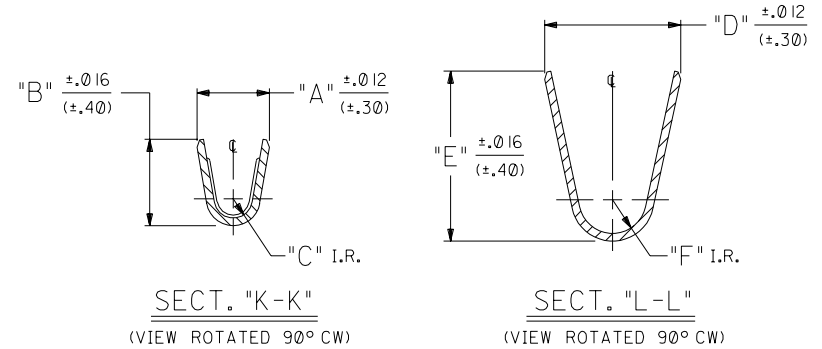
3. PART DESIGNED IN METRIC.

4 THE NUMBER OF SERRATIONS TO BE ONE FOR WIRE RANGE 22-28.

5 MEASURING POINT FOR PLATING THICKNESS.

6. TERMINAL IS FOR USE WITH MOLEX PLUG HOUSINGS 5559, 30068, AND 42475.

7. PRODUCT SPECIFICATION: PS-5556-001, PS-5556-002, PS-5556-003



C	ADD. PS NOTE UCP2003-0385 8/30/2002 SAMIEC
B	REV 28-30 GA. DIM ECN #140405 94-04-06 A.GUJZIK
A2	ADDED EDP'S PER ECN U21527 GEP 10-15-92 RJF
A1	REVISED 28-30 AWG ECN U21318 9-3-92 RJF
A	FINAL RELEASE PER ECN U20768 6-12-92 RJF

DIMENSIONS SHOWN (METRIC) INCH		▽ = 0	▼ = 0	REVISE ONLY ON CAD SYSTEM	
UNLESS OTHERWISE SPECIFIED TOLERANCES: ANGULAR ± 1/2°					
3 PLACE	± .010	---			
2 PLACE	± .015	± .25			
1 PLACE	---	± .38			
DRAFT WHERE APPLICABLE MUST REMAIN WITHIN DIMENSIONS					
DRWG. BY: RJF	CHK'D. BY: GEP	FILE NAME: 55555SX1.DGN		SHEET NO. DATE: 1 OF 2 5/12/92	
APP'D. BY: RAS	SCALE: 10:1	SEE SHT. 2		SD-5558-S*	
THIS DRAWING CONTAINS INFORMATION THAT IS PROPRIETARY TO MOLEX INC. AND SHOULD NOT BE USED WITHOUT WRITTEN PERMISSION.					

5558

13		12		11		10		9		8		7		6		5558		4		3		2		1	
PART NO.	ENG. NO.	FORM	MAT'L.	WIRE GAGE	RANGE OF INSULATION DIA.	QUANTITY PER REEL (FORMED)	DIM. "A"	DIM. "B"	DIM. "C"	DIM. "D"	DIM. "E"	DIM. "F"													
39-00-0120	5558-S	CHAIN	A	18-24 GA.	.051-.122 (1.30-3.10)	4,000	.075 (1.90)	.091 (2.30)	.020 (.50)	.142 (3.60)	.177 (4.50)	.035 (.90)													
39-00-0121	5558-SL	LOOSE																							
39-00-0122	5558-S2	CHAIN																							
39-00-0123	5558-S2L	LOOSE																							
39-00-0124	5558-S3	CHAIN																							
39-00-0125	5558-S3L	LOOSE		16 GA.	.122 MAX. (3.10)	4,000	.091 (2.30)	.106 (2.70)	.024 (.60)	.142 (3.60)	.177 (4.50)	.035 (.90)													
NOT TOOLED	5558-S4	CHAIN																							
NOT TOOLED	5558-S4L	LOOSE																							
39-00-0259	5558-S5	CHAIN																							
39-00-0260	5558-S5L	LOOSE																							
39-00-0126	5558-PBS	CHAIN	B	18-24 GA.	.051-.122 (1.30-3.10)	4,000	.075 (1.90)	.091 (2.30)	.020 (.50)	.142 (3.60)	.177 (4.50)	.035 (.90)													
39-00-0127	5558-PBSL	LOOSE																							
39-00-0128	5558-PBS2	CHAIN																							
39-00-0129	5558-PBS2L	LOOSE																							
39-00-0130	5558-PBS3	CHAIN																							
39-00-0131	5558-PBS3L	LOOSE		16 GA.	.122 MAX. (3.10)	4,000	.091 (2.30)	.106 (2.70)	.024 (.60)	.142 (3.60)	.177 (4.50)	.035 (.90)													
NOT TOOLED	5558-PBS4	CHAIN																							
NOT TOOLED	5558-PBS4L	LOOSE																							
39-00-0263	5558-PBS5	CHAIN																							
39-00-0264	5558-PBS5L	LOOSE																							
39-00-0263	5558-PBS5	CHAIN	28-30 GA.	.020-.035 (.50-.90)	6,000	.050 (1.27)	.044 (1.12)	.010 (.25)	.091 (2.30)	.091 (2.30)	.024 (.60)														
39-00-0264	5558-PBS5L	LOOSE																							

LEGEND:

5558-***S**

- BASE NO. _____
- MATERIAL _____
- BLANK = BRASS
- PB = PHOS. BRONZE
- S = TIN OVER NICKEL _____
- CRIMP SIZE _____
- BLANK = 18-24 AWG
- 2 = 22-28 AWG
- 3 = 16 AWG
- 4 = 14 AWG
- 5 = 28-30 AWG
- CHAIN OR LOOSE _____
- BLANK = CHAIN
- L = LOOSE

B	SEE SHEET I.
A2	SEE SHEET I.
A1	SEE SHEET I.
A	SEE SHEET I.

DIMENSIONS SHOWN METRIC (INCH)		UNLESS OTHERWISE SPECIFIED TOLERANCES: ANGULAR ± 1/2°		REVISE ONLY ON CAD SYSTEM	
TITLE MALE CRIMP TERMINAL WITH TIN OVER NICKEL POSTPLATE (MINI-FIT JR. SERIES)		PART NO. 5558SX2		SHEET NO. 2	
DRAWN BY: RAS		CHECKED BY: GEP		DATE: 5/12/92	
SCALE: --:--		FILE NAME: S5558SX2.DWG		DIV. CP	
MFG. SH. REV. LTR. REVISIONS		MOLEX INCORPORATED LITTLE ROCK, AR 69032 U.S.A.		SD-5558-S*	