

**PLEASE CHECK WWW.MOLEX.COM FOR LATEST PART INFORMATION**

**Part Number:** **0196001304**  
**Status:** **Active**  
**Description:** Avikrimp™ Fully Insulated Female Quick Disconnect

**Documents:**

[Drawing \(PDF\)](#) [RoHS Certificate of Compliance \(PDF\)](#)

**Agency Certification**

CSA LR18689  
 UL E79133

**General**

Product Family Quick Disconnects  
 Series [19600](#)  
 Crimp Quality Equipment Yes  
 Product Name Avikrimp™  
 Type Quick Disconnect

**Physical**

Barrel Type Closed  
 Flammability 94V-2  
 Gender Female  
 Glow-Wire Compliant No  
 Insulation Nylon (PA)  
 Lock to Mating Part None  
 Material - Metal Brass  
 Orientation Straight  
 Packaging Type Bag  
 Polarized to Mating Part No  
 Tab Thickness 0.81mm (.032")  
 Tab Width 4.75mm (.187")  
 Temperature Range - Operating -65°C to +105°C  
 Wire Insulation Diameter 6.89x4.32mm (.270x.170") max.  
 Wire Size AWG 16+16, 18+18, 20+20, 22+22

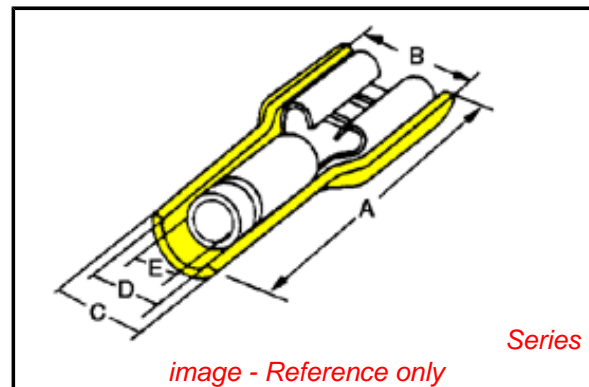
**Electrical**

Voltage - Maximum 300V

**Material Info**

**Reference - Drawing Numbers**

Sales Drawing SD-19600-1300



**EU RoHS**

**ELV and RoHS Compliant**  
**REACH SVHC**  
 Not Reviewed  
**Halogen-Free Status**

**China RoHS**



**Not Reviewed**

**Need more information on product environmental compliance?**

Email [productcompliance@molex.com](mailto:productcompliance@molex.com)  
 For a multiple part number RoHS Certificate of Compliance, [click here](#)

Please visit the [Contact Us](#) section for any non-product compliance questions.

**Search Parts in this Series**

[19600Series](#)

**Application Tooling | [FAQ](#)**

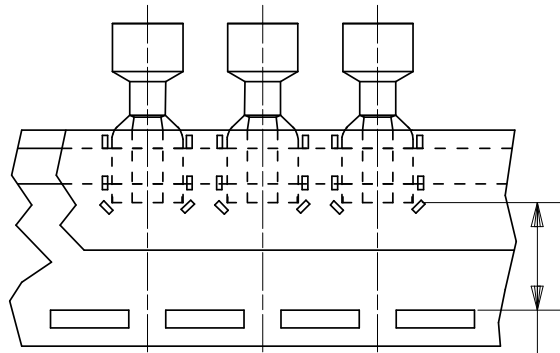
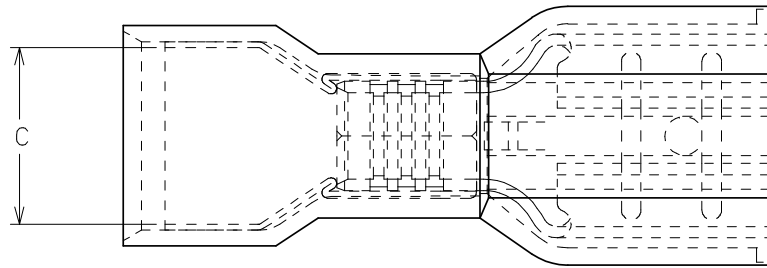
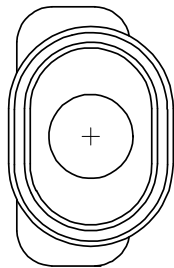
*Tooling specifications and manuals are found by selecting the products below. Crimp Height Specifications are then contained in the Application Tooling Specification document.*

**Global**

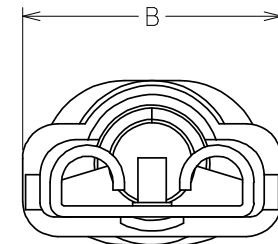
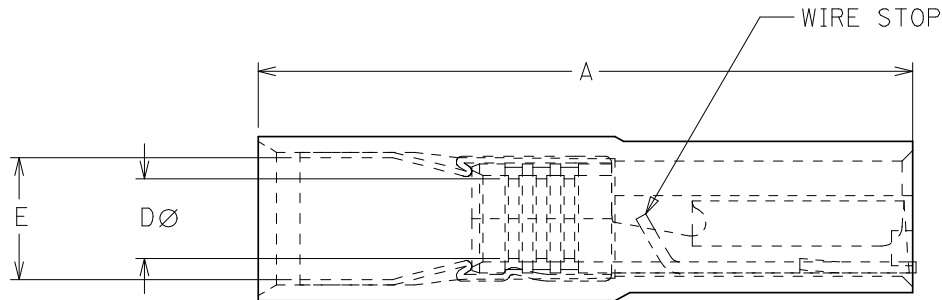
Description	Product #
HAND CRIMP TOOL	<a href="#">0640017100</a>
Air Powered Crimp Tool Head	<a href="#">0640057100</a>

**PLEASE CHECK WWW.MOLEX.COM FOR LATEST PART INFORMATION**

	13	12	11	10	9	8	7	6	5	4	3	2	1
J	PART NO.	CARRIER STYLE	TAB SIZE	COLOR	A MAX	B MAX	C MIN	D MIN	E MWID	H NOMINAL			
	19600-1300	LOOSE PIECE	.250 X .032	YELLOW	.960/24.38	.385/9.78	.245/6.22	.112/2.84	.170/4.31	N/A			
	19600-1302	LOOSE PIECE	.187 X .020	YELLOW	.880/22.36	.330/8.39	.245/6.22	.112/2.84	.170/4.31				
	19600-1304	LOOSE PIECE	.187 X .032	YELLOW	.880/22.36	.330/8.39	.245/6.22	.112/2.84	.170/4.31				
	19600-1306	TAPE MOUNT	.250 X .032	YELLOW	.960/24.38	.385/9.78	.245/6.22	.112/2.84	.170/4.31	.56/14.2 (D)			
	19600-1307	TAPE MOUNT	.187 X .020	YELLOW	.880/22.36	.330/8.39	.245/6.22	.112/2.84	.170/4.31	.64/16.3			
I	19600-1308	TAPE MOUNT	.187 X .032	YELLOW	.880/22.36	.330/8.39	.245/6.22	.112/2.84	.170/4.31				



PARTS ON TAPE  
(SCALE 2:1) (D)



1. TERMINAL MATERIAL: BRASS
2. TERMINAL PLATING: TIN
3. INSULATION MATERIAL: NYLON
4. MWID= MAXIMUM WIRE INSULATION DIAMETER.
5. PARTS TO ACCEPT TWO 22, 20, 18 & 16 OR A COMBINATION OF ANY TWO OF THESE WIRE GAUGES.
6. PART IS RoHS COMPLIANT.

<b>ADD TAPE DIAG. DIMS</b> EC NO: WNA2008-0049 DRAWN:ETHRODAHL 2008/02/14 CHKD:JMACNEIL 2008/03/11 APPR:JMACNEIL 2008/03/11	<b>QUALITY SYMBOLS</b> ▼=0 ▽=0	<b>GENERAL TOLERANCES (UNLESS SPECIFIED)</b>		<b>DIMENSION STYLE</b> IN/MM		SCALE 10:1	DESIGN UNITS INCH	THIRD ANGLE PROJECTION	
		4 PLACES ±--- ±---	mm	INCH	DRAWN BY	DATE	TITLE AVIKRIMP FIQD OVAL EXP. TWO(22,20,18, & 16 AWG) .187 & .250 TAB WIDTH		
		3 PLACES ±--- ±.005			HEB	DATE			
		2 PLACES ±0.13 ±.01			CHECKED BY	DATE	MOLEX INCORPORATED DOCUMENT NO. SD-19600-1300		
1 PLACE ±0.25 ±---			RWD	DATE	SHEET NO. 1 OF 1				
ANGULAR ±---°				APPROVED BY				DATE	THIS DRAWING CONTAINS INFORMATION THAT IS PROPRIETARY TO MOLEX INCORPORATED AND SHOULD NOT BE USED WITHOUT WRITTEN PERMISSION
DRAFT WHERE APPLICABLE MUST REMAIN WITHIN DIMENSIONS				RWD	DATE	SEE CHART			
				MATERIAL NO.	DATE				SIZE C
				SEE CHART	DATE	INCORPORATED AND SHOULD NOT BE USED WITHOUT WRITTEN PERMISSION			