

**PLEASE CHECK WWW.MOLEX.COM FOR LATEST PART INFORMATION**

**Part Number:** [0490330310](#)  
**Status:** **Active**  
**Description:** 3.80mm (.150") Pitch Wire-to-Wire Male Housing, 3 Circuits, for 090-II Terminal, with TPA

**Documents:**

[Drawing \(PDF\)](#) [RoHS Certificate of Compliance \(PDF\)](#)  
[Product Specification PS-49033-001 \(PDF\)](#)

**General**

Product Family	Crimp Housings
Series	<a href="#">49033</a>
Product Name	N/A

**Physical**

Circuits (maximum)	3
Color - Resin	Black, Natural
Gender	Male
Glow-Wire Compliant	No
Lock to Mating Part	Yes
Material - Resin	Polyester
Number of Rows	1
Packaging Type	Bag
Panel Mount	No
Pitch - Mating Interface (in)	0.150 In
Pitch - Mating Interface (mm)	3.80 mm
Polarized to Mating Part	Yes
Stackable	No
Temperature Range - Operating	-40°C to +80°C

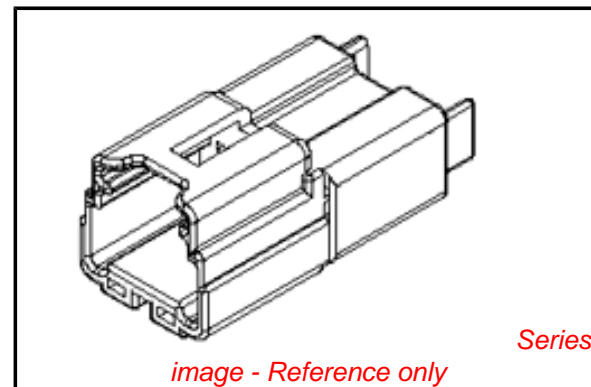
**Electrical**

Current - Maximum per Contact	10A
-------------------------------	-----

**Material Info**

**Reference - Drawing Numbers**

Product Specification	PS-49033-001
Sales Drawing	SD-49033-001



**EU RoHS**

**ELV and RoHS Compliant**  
**REACH SVHC**  
 Not Reviewed  
**Halogen-Free Status**

**China RoHS**



**Need more information on product environmental compliance?**

Email [productcompliance@molex.com](mailto:productcompliance@molex.com)  
 For a multiple part number RoHS Certificate of Compliance, [click here](#)

Please visit the [Contact Us](#) section for any non-product compliance questions.

**Search Parts in this Series**

[49033Series](#)

**Mates With**

[49034-0310](#)

**Use With**

[35420-9702](#)

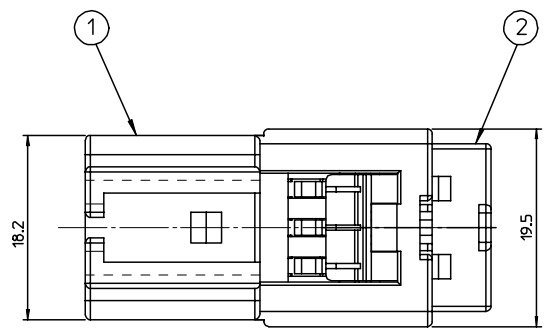
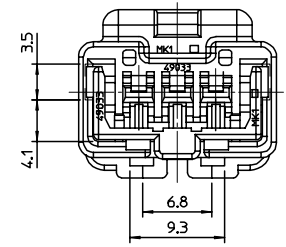
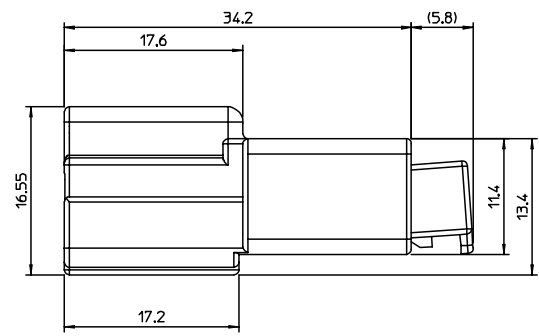
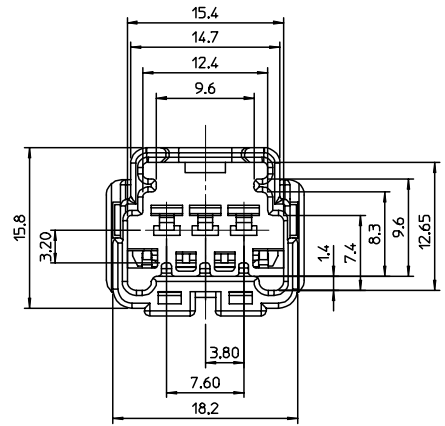
DWG. NO. SD-49033-001

SIMILAR ITEM

PROJECT NO.

B

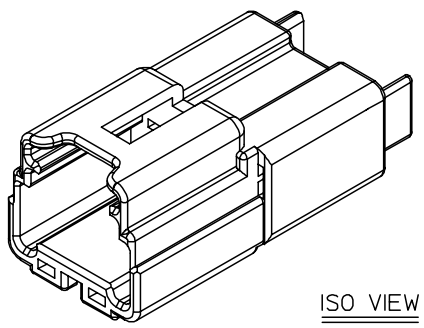
DO NOT SCALE DRAWING  
DIMENSION IN METRIC



<NOTE>

- 1. MATERIAL : SEE TABLE
- 2. MATING CONNECTOR : 49034-0310
- 3. APPLICABLE TERMINAL : 35420-9\*02

NO.	PART NO.	PART NAME	MATERIAL	COLOR
1	Ⓐ49033-0390	.090 M/HSG 3P	POLYESTER	NATURAL
	Ⓑ49033-0395	.090 M/HSG 3P	POLYESTER	GRAY
2	Ⓒ49033-0381	.090 M/TPA 3P	POLYESTER	BLACK



MATERIAL NO.	ENG. NO.	REMARKS
490330310	49033-0310	Ⓐ + Ⓒ
490330315	49033-0315	Ⓑ + Ⓒ

NEW RELEASED ECN NO. KOR2004-0092 DRWNS.M.KIM 04/01/27 CHK.B.C.YOON 04/01/27 APPR.C.W.LEE	QUALITY SYMBOLS MAJOR CRITICAL	GENERAL TOLERANCES: (UNLESS SPECIFIED)		SCALE 2:1	DESIGN UNITS <input checked="" type="checkbox"/> mm <input type="checkbox"/> INCH	THIRD ANGLE PROJECTION	DIMENSIONS: <input type="checkbox"/> mm <input type="checkbox"/> INCH <input checked="" type="checkbox"/> mm ONLY	SHT	REV
		4 PLACES	±0.	±-	DRAWN BY & DATE S.M.KIM 03/12/01		TITLE: .090-II W/W MALE HSG ASS'Y 3P		
		3 PLACES	±0.	±-	CHECKED BY & DATE B.C.YOON 03/12/01				
		2 PLACES	±0.20	±-	APPROVED BY & DATE C.W.LEE 03/12/01		MOLEX INCORPORATED		
1 PLACE	±0.30	±-	ANGULAR: ± 1 °		CAD FILENAME SD49033.MI	MATERIAL NO. SEE TABLE	DRAWING NO. SD-49033-001	SHEET NO. 1 OF 1	
DRAFT WHERE APPLICABLE MUST REMAIN WITHIN DIMENSIONS		THIS DRAWING CONTAINS INFORMATION THAT IS PROPRIETARY TO MOLEX INCORPORATED AND SHOULD NOT BE USED WITHOUT WRITTEN PERMISSION.						SIZE B	