

PLEASE CHECK WWW.MOLEX.COM FOR LATEST PART INFORMATION

Part Number: [0496241295](#)
Status: **Active**
Description: 4.20mm (.165") Wire-to-Wire TPA™ Connector for Female Housing, 12 Circuits, UL94V-0, Ivory

Documents:

[3D Model](#) [Product Specification PS-49624-001 \(PDF\)](#)
[Drawing \(PDF\)](#) [RoHS Certificate of Compliance \(PDF\)](#)

Agency Certification

UL E29179

General

Product Family Crimp Housings
 Series [49624](#)
 Product Name N/A

Physical

Circuits (maximum) 12
 Circuits Detail 12
 Color - Resin Ivory
 Flammability 94V-0
 Gender Female
 Glow-Wire Compliant No
 Keying to Mating Part None
 Lock to Mating Part Yes
 Material - Resin Nylon
 Number of Rows 2
 Packaging Type Bag
 Panel Mount No
 Pitch - Mating Interface (in) 0.165 In
 Pitch - Mating Interface (mm) 4.20 mm
 Polarized to Mating Part Yes
 Stackable No
 Temperature Range - Operating -40°C to +105°C

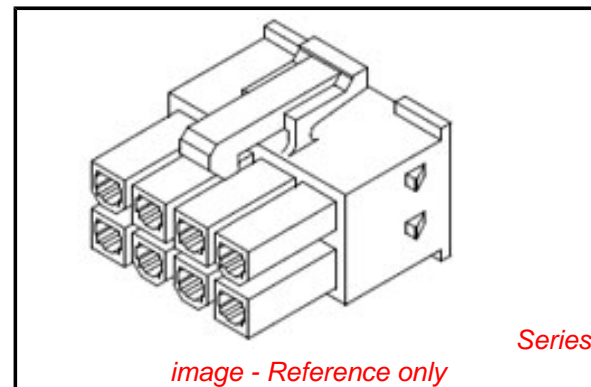
Electrical

Current - Maximum per Contact 6A

Material Info

Reference - Drawing Numbers

Product Specification PS-49624-001
 Sales Drawing SD-49624-001



EU RoHS

ELV and RoHS Compliant
REACH SVHC
Contains SVHC: No
Halogen-Free Status

China RoHS



Need more information on product environmental compliance?

Email productcompliance@molex.com
 For a multiple part number RoHS Certificate of Compliance, [click here](#)

Please visit the [Contact Us](#) section for any non-product compliance questions.

Search Parts in this Series

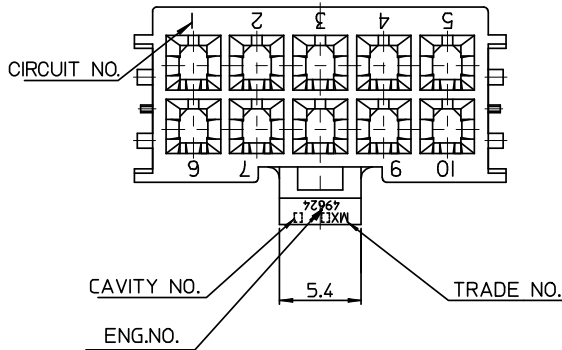
[49624Series](#)

Mates With

4.20mm (.165") Wire-to-Wire Male TPA™
[49623](#) , [49627](#)

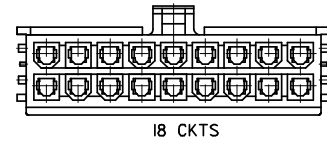
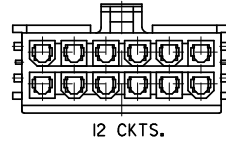
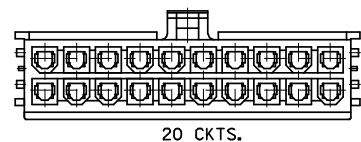
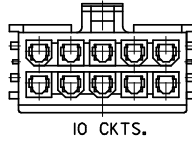
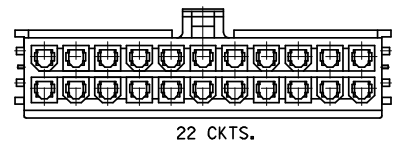
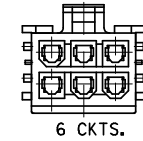
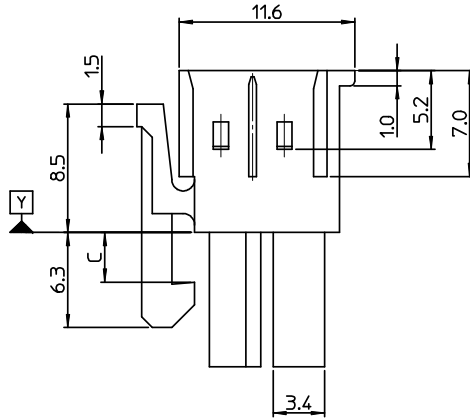
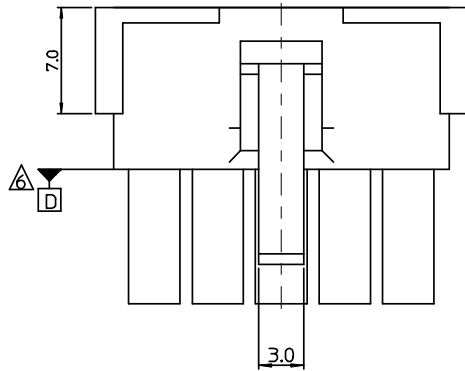
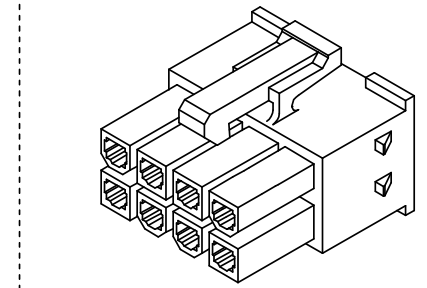
Use With

[5556](#) Mini-Fit® Crimp Terminal



NOTES

1. MATERIAL :
 - POLYAMID(PA66), UL94V-2, COLOR OF NATURAL
 - POLYAMID(PA66), UL94V-0, COLOR OF IVORY
2. APPLICABLE TERMINAL : SERIES 5556 T2A, 5556 T
3. MATE WITH : SERIES 49623, 49627
4. PRODUCT SPECIFICATION : PS-49623-001
5. PACKAGE SPECIFICATION : PK-49623-001
6. TO BE MEASURED AT POSITION OF "D" SURFACE



CIRCUIT SIZE LAYOUT

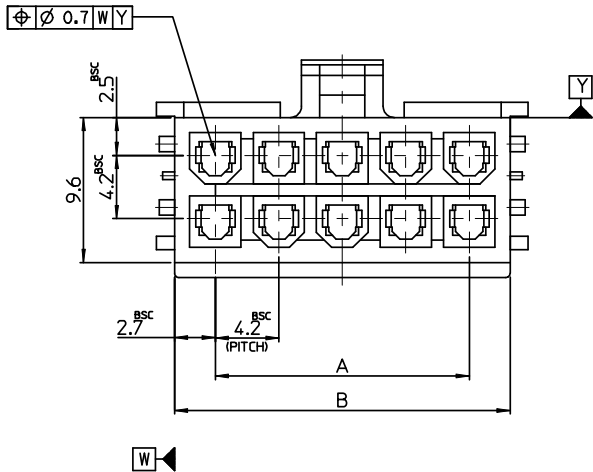


TABLE-1

49624-2295	496242295	49624-2290	496242290	22
49624-2095	496242095	49624-2090	496242090	20
49624-1895	496241895	49624-1890	496241890	18
49624-1295	496241295	49624-1290	496241290	12
49624-1095	496241095	49624-1090	496241090	10
49624-0695	496240695	49624-0690	496240690	06
ENG NO.	MATERIAL NO.	ENG NO.	MATERIAL NO.	CIRCUIT SIZE
POLYAMID(PA66), UL94V-0		POLYAMID(PA66), UL94V-2		

▲	47.4	42	22
3.6	43.2	37.8	20
▼	39	33.6	18
▲	26.4	21	12
3.3	22.2	16.8	10
▼	13.8	8.4	6
C	B	A	CIRCUIT

RELEASED EC NO: KOR2008-0134 DRWN:SKHAN01 2008/02/27 CHKD:WY YANG 2008/02/29 APPR:YUNSIKKIM 2008/02/29	DESCRIPTION QUALITY SYMBOLS ▽=0 ▽=0	GENERAL TOLERANCES (UNLESS SPECIFIED)		DIMENSION STYLE MM ONLY		SCALE 4:1	DESIGN UNITS METRIC	THIRD ANGLE PROJECTION			
		4 PLACES ± --- ± --- 3 PLACES ± --- ± --- 2 PLACES ± 0.3 ± --- 1 PLACE ± 0.3 ± ---	mm INCH DRAWN BY SK.HAN DATE 2008/01/28 CHECKED BY WY.YANG DATE 2008/0/28 APPROVED BY EH.JUNG DATE 2008/01/28	TITLE 4.2MM W/W TPA CONN. FOR FEMALE HOUSING		MATERIAL NO. SEE TABLE		DOCUMENT NO. SD-49624-001		SHEET NO. 1 OF 1	
		ANGULAR ± 3 °		DRAFT WHERE APPLICABLE MUST REMAIN WITHIN DIMENSIONS		SIZE A2		THIS DRAWING CONTAINS INFORMATION THAT IS PROPRIETARY TO MOLEX INCORPORATED AND SHOULD NOT BE USED WITHOUT WRITTEN PERMISSION			
		A									