

PLEASE CHECK WWW.MOLEX.COM FOR LATEST PART INFORMATION

Part Number: [0643191211](#)
Status: **Active**
Overview: [cmc connectors](#)
Description: .635mm (.025"), 1.50mm (.059") CMC Receptacle, 32 Circuits, Left Wire Output, Black Coding, Mat Sealed

Documents:

[3D Model](#) [Product Specification PS-64319-001 \(PDF\)](#)
[Drawing \(PDF\)](#) [RoHS Certificate of Compliance \(PDF\)](#)
[Application Specification \(PDF\)](#)

General

Product Family	Crimp Housings
Series	64319
Comments	* Current tested on a 5 terminals loaded connector, current for temperature increase of 40°C . Current max = 6.0A for 0.635mm Terminal (0.75mm ² wire) and 12.0A for 1.5mm Terminal (2.0mm ² wire) *
More Detailed Tech Information	Sealed, high-density, modular connecting system for Power Train and Body Electronics applications in cars, trucks, busses
Overview	cmc connectors
Product Name	CMC

Physical

Circuits (maximum)	32
Circuits Detail	8 x 1.5mm & 24 x 0.635mm terminals
Color - Resin	Black
Gender	Female
Glow-Wire Compliant	No
Keying to Mating Part	Yes
Lock to Mating Part	Yes
Material - Resin	Polyester
Number of Rows	4
Packaging Type	Carton
Panel Mount	No
Pitch - Mating Interface (in)	0.100 In, 0.146 In
Pitch - Mating Interface (mm)	2.54 mm, 3.70 mm
Polarized to Mating Part	Yes
Stackable	No
Temperature Range - Operating	-40°C to +125°C

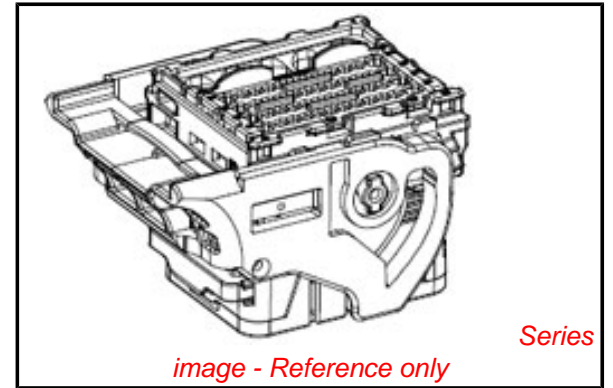
Electrical

Current - Maximum per Contact	12A, 6A
-------------------------------	---------

Material Info

Reference - Drawing Numbers

Application Specification	AS-64319-001
Packaging Specification	PK-64319-001
Product Specification	PS-64319-001
Sales Drawing	SD-64319-001, SD-98644-006, SD-98993-001



EU RoHS

ELV and RoHS Compliant
REACH SVHC
 Not Reviewed
Halogen-Free Status

China RoHS



Not Reviewed

Need more information on product environmental compliance?

Email productcompliance@molex.com
 For a multiple part number RoHS Certificate of Compliance, [click here](#)

Please visit the [Contact Us](#) section for any non-product compliance questions.

Search Parts in this Series

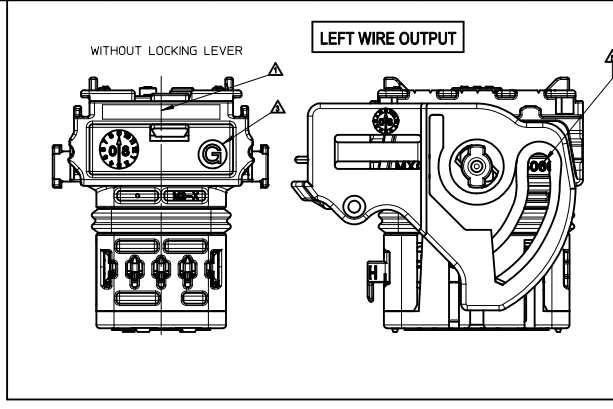
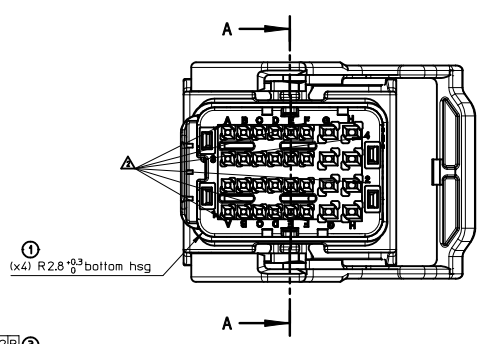
[64319Series](#)

Mates With

Single 32 Circuit CMC Header - Please Contact Molex

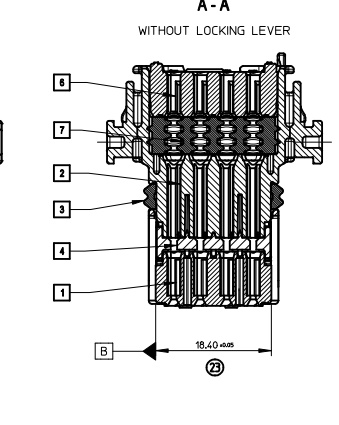
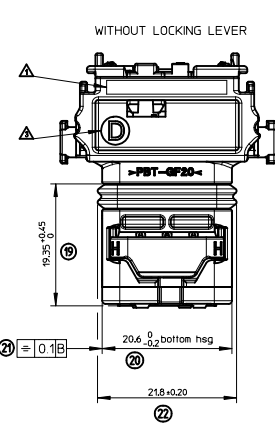
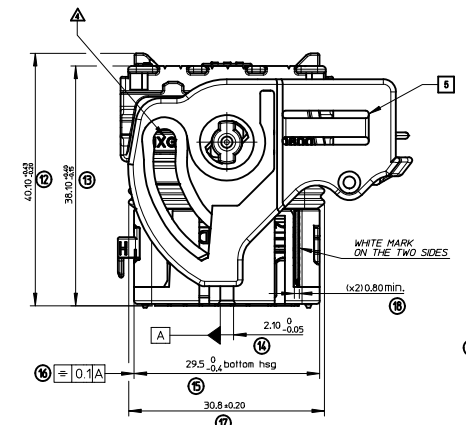
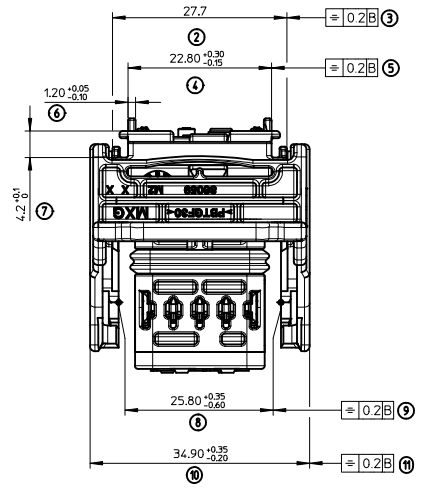
Use With

CMC CP Terminals [64322](#) , [64323](#). CMC Wire Cap [643191201](#). Sealing Plugs [643251010](#) , [643251023](#)



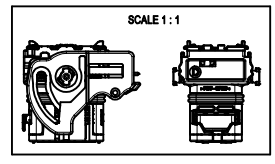
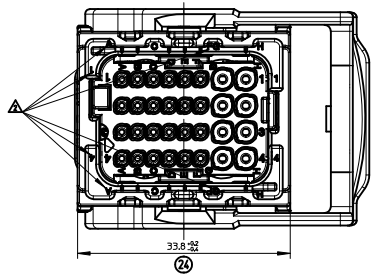
LEFT WIRE OUTPUT

MATERIAL NUMBER	COLOR
0643191211	BLACK
0643191218	GREY
0643191219	BROWN
0643191216	BLUE



RIGHT WIRE OUTPUT

MATERIAL NUMBER	COLOR
0643193211	BLACK
0643193218	GREY
0643193219	BROWN
0643193216	BLUE



NOTES:

- FOR ILLUSTRATION PURPOSE THE FEMALE HOUSING SHOWN IS THE RIGHT WIRE OUTPUT VERSION COUING 1
- APPLICATION SPECIFICATION: AS-64319-001
- WIRES EXTERNAL DIAMETER USED:
FOR CP0.6 TERMINAL: USE WIRES WITH AN EXTERNAL DIAMETER BETWEEN Ø125MM MIN AND Ø190MM MAX
FOR CP1.5 TERMINAL: USE WIRES WITH AN EXTERNAL DIAMETER BETWEEN Ø140MM MIN AND Ø280MM MAX
- THE CONNECTOR FITS WITH WIRE CAP (32 WAY) MOLEX P/N 0643191201
- BLIND PLUG FOR CP 0.6 AND 15 CAVITIES (MOLEX P/N 0643251010 AND 0643251023) MUST BE USED ON THIS PART.
- DELIVERED PRODUCT WEIGHT: 27.6 g

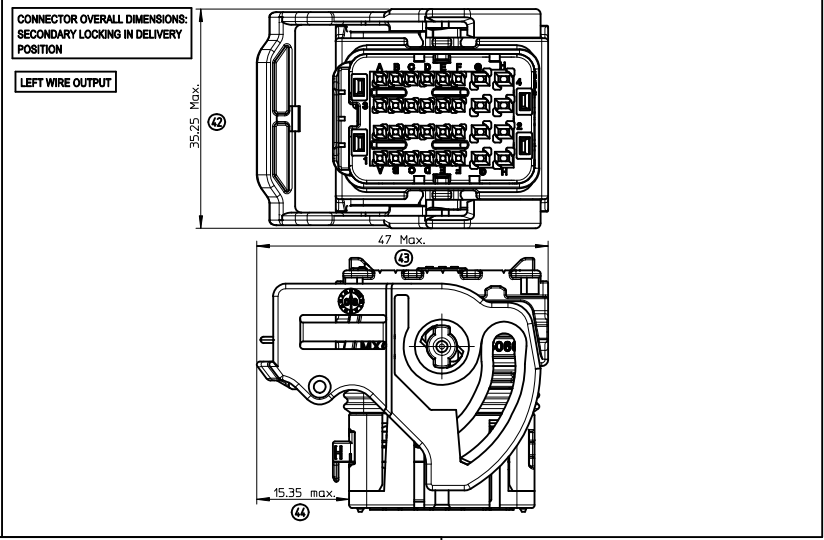
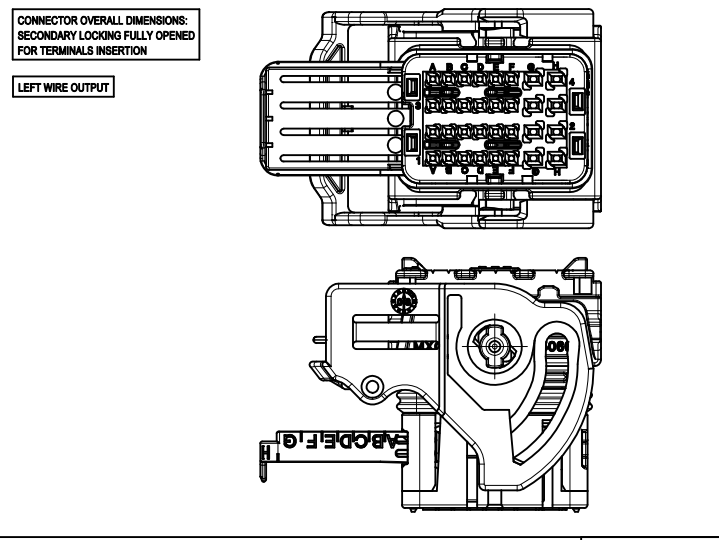
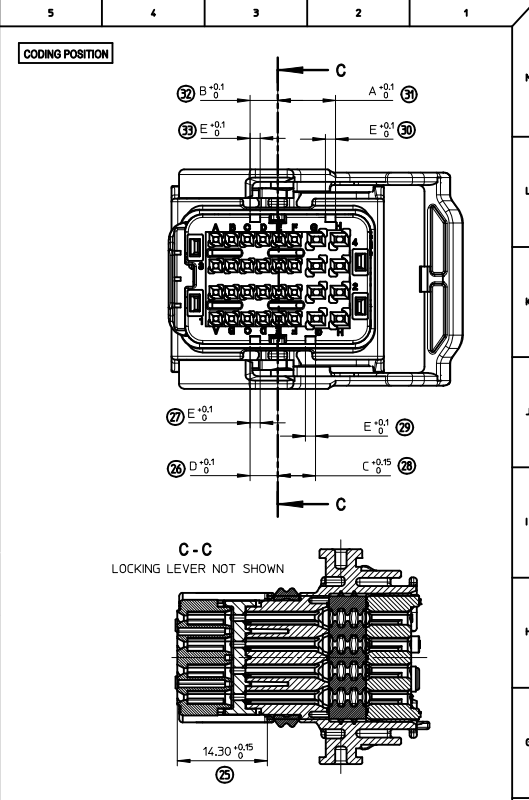
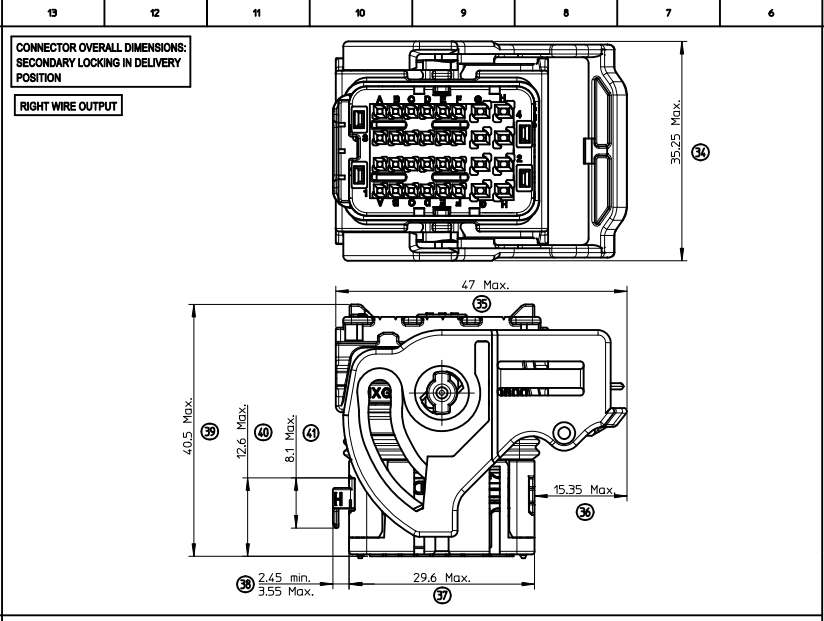
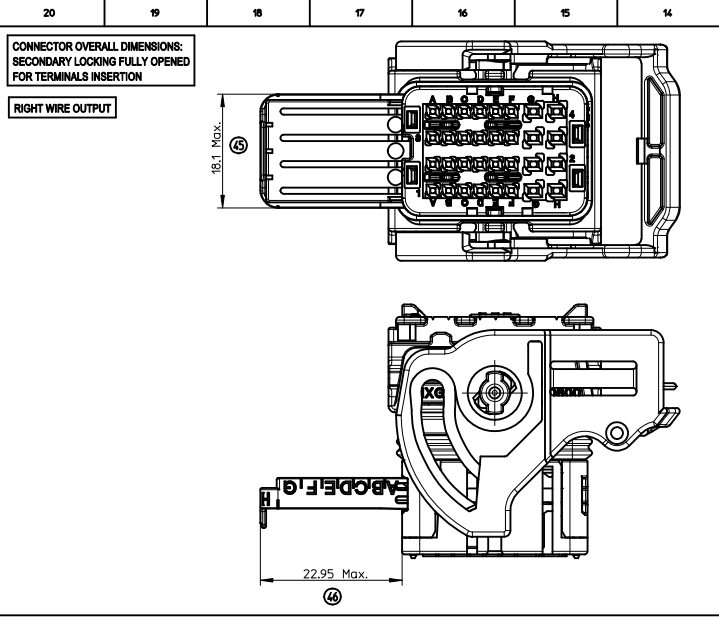
POS.	DESIGNATION	MATERIAL	COLOR
17	MAT SEAL	Silicon	GREEN
14	BACK GRID 32W	>PBT-GF20<	GREY
16	LOCKING LEVER 32W	>PBT-GF30<	BLACK
15	SECONDARY LOCK	>PBT-GF20<	GREEN
13	PERIPHERAL SEAL 32W	Silicon	BLUE
12	BACK PART	>PBT-GF20<	BLACK
11	FRONT PART	>PBT-GF20<	COLOR LINKED TO KEYING

MARKINGS :

- Assembled part tracability:
Day + Year
- Terminal cavities identification
- Lever position indicator:
"D" LETTER VISIBLE = "LEVER ON THE RIGHT"
"G" LETTER VISIBLE = "LEVER ON THE LEFT"
- Supplier identification
- Material identification

UPDATED DRAWING
 E.C. NO: 0
 D: DRIVINGDESIGNERIES 2009/06/03
 CHKDC: BOUCHAN
 APPR:

GENERAL TOLERANCES (UNLESS SPECIFIED)	DIMENSION STYLE	SCALE	DESIGN UNITS	FIRST ANGLE PROJECTION
mm	MM ONLY	2.5:1	METRIC	
INCH				
4 PLACES ± --- ± ---	DRAWN BY DATE	TITLE		
3 PLACES ± --- ± ---	T. BADAROUX 2007/07/16	CMC CONNECTOR 32 WAY MAT SEAL VERSION		
2 PLACES ± 0.1 ± ---	CHECKED BY DATE	MOLEX INCORPORATED		
1 PLACE ± 0.1 ± ---	P. GRANDCLAUD 2007/07/16	SD-64319-001		
ANGULAR ± 2 °	APPROVED BY DATE	SHEET NO. 1 OF 2		
	C. BOUCHAN 2007/07/16	INCORPORATED AND SHOULD NOT BE USED WITHOUT WRITTEN PERMISSION		
DRAFT WHERE APPLICABLE MUST REMAIN WITHIN DIMENSIONS	MATERIAL NO.	SEE SHEET 2		
	DOCUMENT NO.	THIS DRAWING CONTAINS INFORMATION THAT IS PROPRIETARY TO MOLEX		



COLOR	CODING	A	B	C	D	E
BLACK	1	9.2	4.4	6	4.4	1.6
GREY	2	7.6	6	9.2	6	1.6
BROWN	3	6	7.6	9.2	9.2	1.6
BLUE	5	4.4	7.6	6	6	1.6

CAVITY #	FEMALE TERMINALS (Section mm2)	TERMINALS USED		min / MAX WIRE INSULATION DIAMETER (mm)	
		PLATING	MOLEX P/N		
A1 to F1 A2 to F2 A3 to F3 A4 to F4	CP 0.6 0.35mm2	Tin plated	0643221019	Ø1.25 min / Ø1.40 Max	
		Gold plated	0643221229		
	CP 0.6 0.5mm2	Tin plated	0643221039		Ø1.40 min / Ø1.70 Max
		Gold plated	0643221239		
G1 to H4 G1 to H4	CP 0.6 0.75mm2	Tin plated	0643221029	Ø1.60 min / Ø1.90 Max	
		Gold plated	0643221219		
	CP 15 0.5mm2 to 1mm2	Tin plated	0643231029		Ø1.40 min / Ø2.15 Max
		Gold plated	0643231319		
CP 15 >1mm2 to 2mm2	Tin plated	0643231039	Ø2.10 min / Ø2.80 Max		
	Gold plated	0643231219			

UPDATED DRAWING

EC NO: D
DRAWING REVISIONS: 2009/06/03
CHKDC: BOUCHAN
APPR: [REDACTED]

DESCRIPTION: [REDACTED]

GENERAL TOLERANCES (UNLESS SPECIFIED)

	mm	INCH
4 PLACES	± 0.1	± 0.004
3 PLACES	± 0.15	± 0.006
2 PLACES	± 0.2	± 0.008
1 PLACE	± 0.3	± 0.012

ANGULAR ± 2°

DRAFT WHERE APPLICABLE MUST REMAIN WITHIN DIMENSIONS

DIMENSION STYLE: MM ONLY

SCALE: 2.5:1

DESIGN UNITS: METRIC

FIRST ANGLE PROJECTION

DRAWN BY: T. BADAROUX
DATE: 2007/07/16

CHECKED BY: [REDACTED]
DATE: [REDACTED]

P. GRANDCLAUD 2007/07/16

APPROVED BY: C. BOUCHAN
DATE: 2007/07/16

MATERIAL NO. [REDACTED]

DOCUMENT NO. [REDACTED]

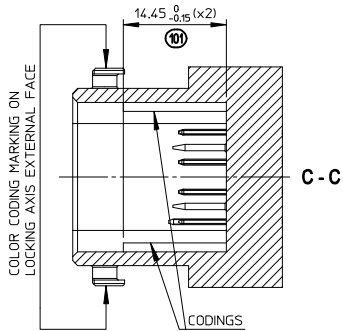
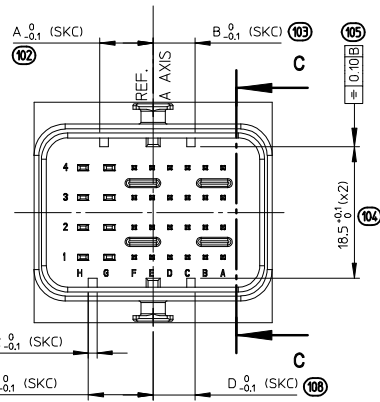
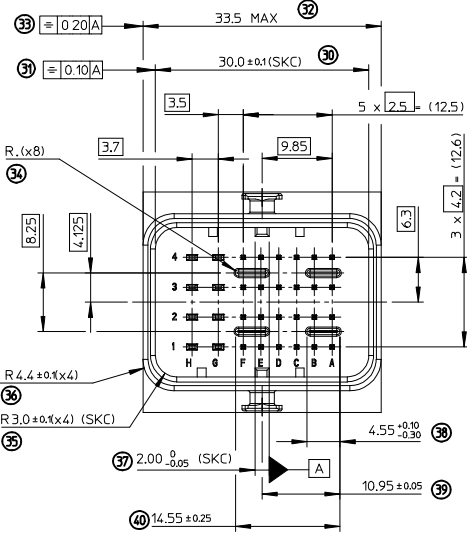
MOLEX INCORPORATED

SD-64319-001

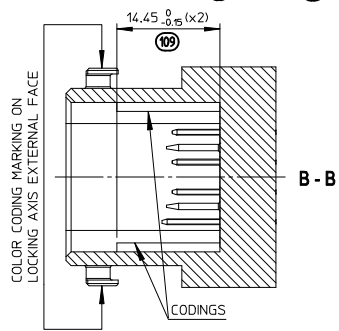
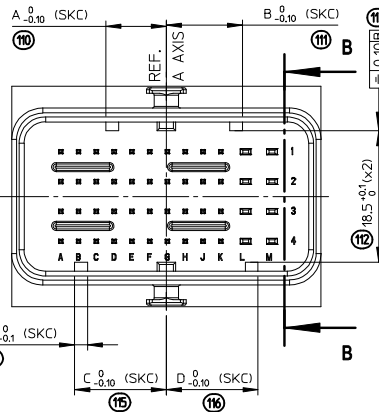
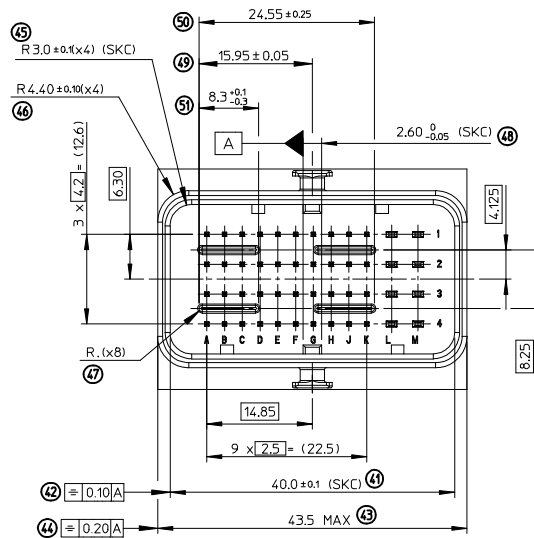
SHEET NO. 2 OF 2

THIS DRAWING CONTAINS INFORMATION THAT IS PROPRIETARY TO MOLEX INCORPORATED AND SHOULD NOT BE USED WITHOUT WRITTEN PERMISSION

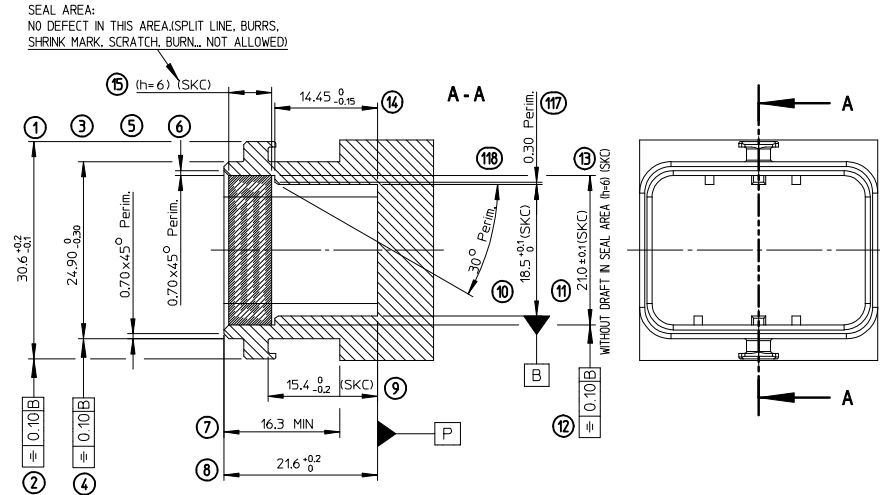
INTERFACE FOR HYBRID MODULE T2 (32 WAY)



INTERFACE FOR HYBRID MODULE T3 (48 WAY)



INTERFACES FOR HYBRID MODULES T2 (32 WAY) AND T3 (48 WAY)



HEADERS CODINGS

(CODING 2 SHOWN)

HEADER'S CODINGS FOR MODULE T2 (32W)					
COLOR	CODINGS	DIM. A	DIM. B	DIM. C	DIM. D
BLACK	1	9.1	4.3	5.9	4.3
GREY	2	7.5	5.9	9.1	5.9
BROWN	3	5.9	7.5	9.1	9.1
GREEN	4	7.5	9.1	4.3	4.3
BLUE	5	4.3	7.5	5.9	5.9
YELLOW	6	9.1	7.5	4.3	7.5

(CODING 3 SHOWN)

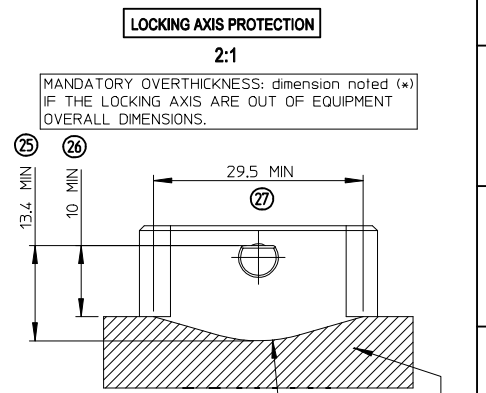
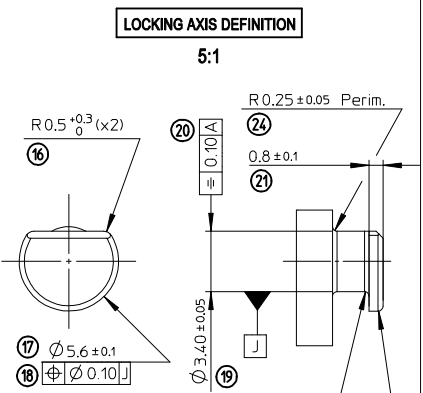
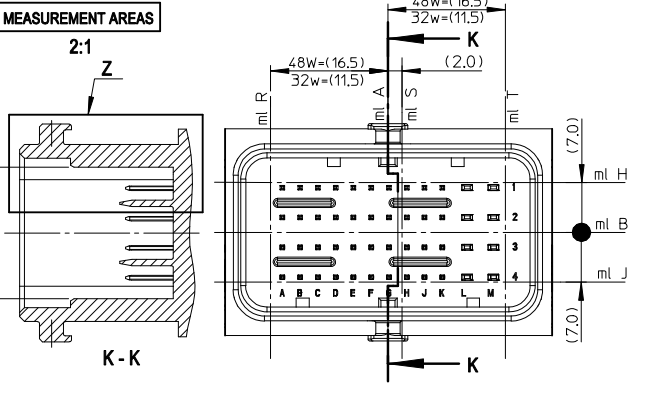
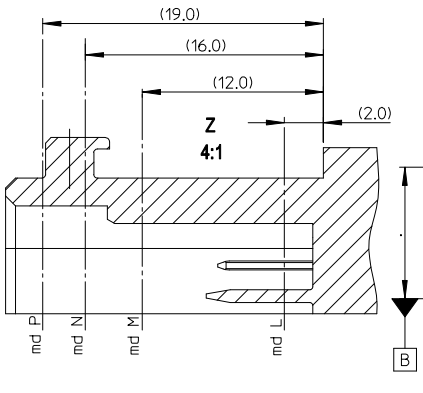
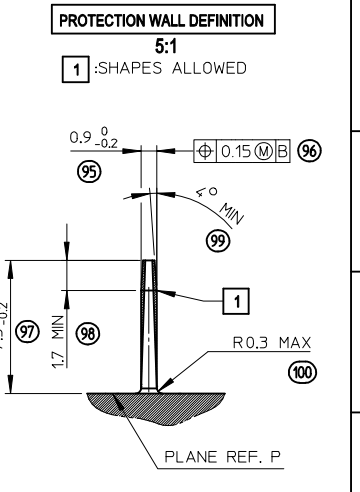
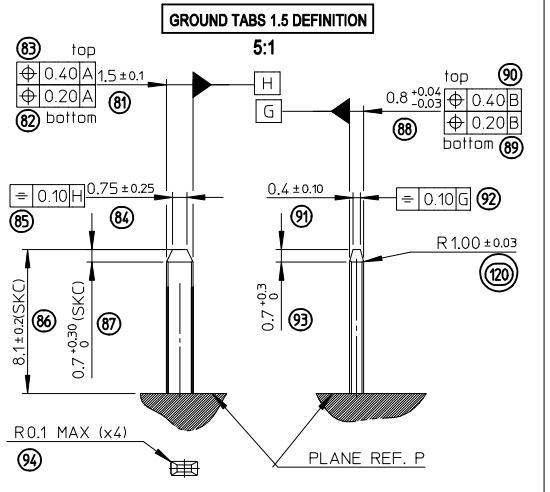
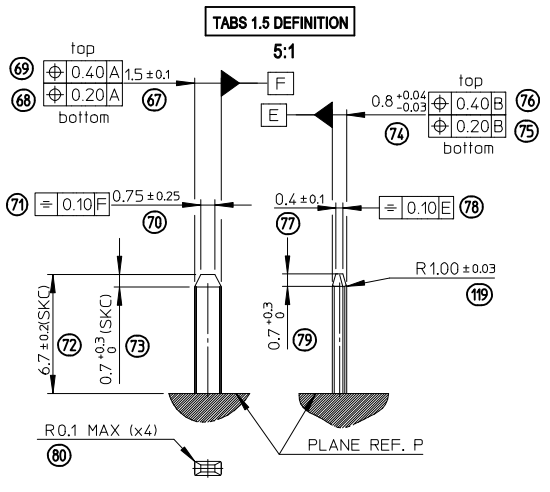
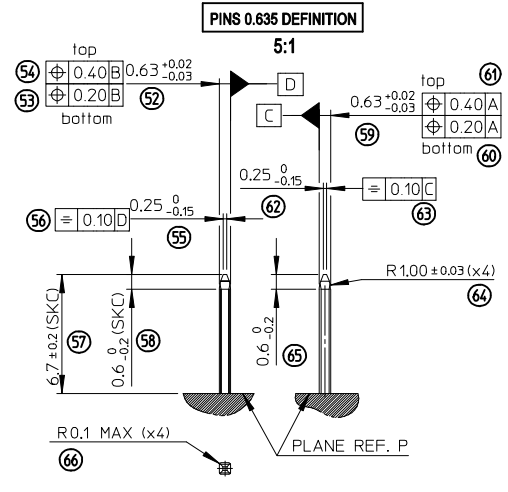
HEADER'S CODINGS FOR MODULE T3 (48W)					
COLOR	CODINGS	DIM. A	DIM. B	DIM. C	DIM. D
BLACK	1	12.9	6.3	8.5	6.3
GREY	2	10.7	8.5	12.9	8.5
BROWN	3	8.5	10.7	12.9	12.9
GREEN	4	10.7	12.9	6.3	6.3
BLUE	5	6.3	10.7	8.5	8.5
YELLOW	6	12.9	10.7	6.3	10.7

(SKC) SPECIAL KEY CHARACTERISTIC
 QUANTITY PER INDIVIDUAL SHEET
 (SKC) = 20

NOTE:

1- HEADER: ELASTICITY MODULUS: 8000Mpa min.
 (INITIAL CONDITION BEFORE AGEING)

REVISED EC NO: GZ009-0185 DRWN: GDESBRUERES 2008/12/10 CHKD: J.GIURIATO 2008/12/11 APPR: O.PLESSIS 2008/12/15	DESCRIPTION	GENERAL TOLERANCES (UNLESS SPECIFIED)	DIMENSION STYLE MM ONLY	SCALE 2:1	DESIGN UNITS METRIC	FIRST ANGLE PROJECTION	
		4 PLACES ± --- ± --- 3 PLACES ± --- ± --- 2 PLACES ± 0.10 ± --- 1 PLACE ± 0.10 ± --- ANGULAR ± 2°	DRAWN BY DATE G. DESBRUERES 2008/10/02	CHECKED BY DATE J. GIURIATO 2008/10/03	APPROVED BY DATE O. PLESSIS 2008/10/06	MATERIAL NO. N/A	TITLE INTERFACES FOR MODULES 32 & 48 CKT CMC GENERIC SALES DRAWING
DRAFT WHERE APPLICABLE MUST REMAIN WITHIN DIMENSIONS		THIS DRAWING CONTAINS INFORMATION THAT IS PROPRIETARY TO MOLEX INCORPORATED AND SHOULD NOT BE USED WITHOUT WRITTEN PERMISSION					



T2 (32W)

POS N°	NOMINAL DIM.	MEASURE LINE ml	MEASURE DEPTH md
1	30.6 +0.20/-0.10		
3	24.9 0/-0.30	A, R, T	M, P
	24.5 MIN 24.9 MAX	A, R, T	L
8	21.6 ±0.20/0	MIN / MAX	
10	18.5 ±0.10/0	A	L, M
11	21.0 ±0.10	A, R, S, T	N, P
	20.8 MIN 21.1 MAX	R, S, T	L
30	30 ±0.10	B, H, J	N, P
	29.8 MIN 30.1 MAX	B, H, J	L
32	33.5 MAX	B, H, J	P
35	R3.0 ±0.10		L, N, P
37	2.0 0/-0.05		L, M
102-103-107-108	SEE CHART SHEET 1	CODING	L, M
104	18.5 ±0.10/0	CODING	L, M
106	1.2 0/-0.10	CODING	L, M

T3 (48W)

POS N°	NOMINAL DIM.	MEASURE LINE ml	MEASURE DEPTH md
1	30.6 +0.20/-0.10		
3	24.9 0/-0.30	A, R, T	M, P
	24.5 MIN 24.9 MAX	A, R, T	L
8	21.6 ±0.20/0	MIN / MAX	
10	18.5 ±0.10/0	A	L, M
11	21.0 ±0.10	A, R, S, T	N, P
	20.8 MIN 21.1 MAX	R, S, T	L
41	40 ±0.10	B, H, J	N, P
	39.8 MIN 40.1 MAX	B, H, J	L
43	43.5 MAX	B, H, J	P
45	R3.0 ±0.10		L, N, P
48	2.6 0/-0.05		L, M
110-111-115-116	SEE CHART SHEET 1	CODING	L, M
112	18.5 ±0.10/0	CODING	L, M
114	1.8 0/-0.10	CODING	L, M

MEASUREMENT CHARTS FOR INTERFACES SIZES T2 / T3

REVISED
EC NO: G2009-0185
DRAWN: G. DESBRUERES 2008/12/10
CHKD: J. GIURIATO 2008/12/11
APPR: O. PLESSIS 2008/12/15

GENERAL TOLERANCES (UNLESS SPECIFIED)

	mm	INCH
4 PLACES ±	---	---
3 PLACES ±	---	---
2 PLACES ±	0.10	---
1 PLACE ±	0.10	---

ANGULAR ± 2°

DRAFT WHERE APPLICABLE MUST REMAIN WITHIN DIMENSIONS

DIMENSION STYLE
MM ONLY

DRAWN BY: G. DESBRUERES 2008/10/02
DATE: 2008/10/02

CHECKED BY: J. GIURIATO 2008/10/03
DATE: 2008/10/03

APPROVED BY: O. PLESSIS 2008/10/06
DATE: 2008/10/06

MATERIAL NO. N/A

SCALE: 1:1
DESIGN UNITS: METRIC
FIRST ANGLE PROJECTION

TITLE: INTERFACES FOR MODULES 32 & 48 CKT CMC
GENERIC SALES DRAWING

MOLEX INCORPORATED

DOCUMENT NO. SD-98644-006
SHEET NO. 2 OF 3

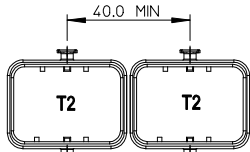
THIS DRAWING CONTAINS INFORMATION THAT IS PROPRIETARY TO MOLEX INCORPORATED AND SHOULD NOT BE USED WITHOUT WRITTEN PERMISSION

CONNECTOR ON HEADER - OVERALL DIMENSIONS

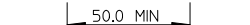
MULTI-HEADERS LAYOUT

LAYOUT FOR TWO INTERFACES T2 (32W)

FOR SAME HARNESS EXIT CONFIGURATION

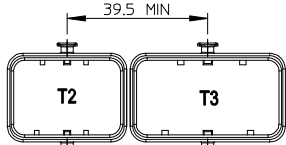


FOR OPPOSITE HARNESS EXIT CONFIGURATION

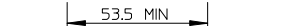


LAYOUT FOR TWO INTERFACES T2 (32W) AND T3 (48W)

FOR SAME HARNESS EXIT CONFIGURATION

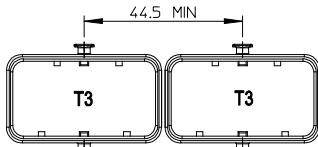


FOR OPPOSITE HARNESS EXIT CONFIGURATION

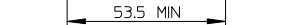


LAYOUT FOR TWO INTERFACES T3 (48W)

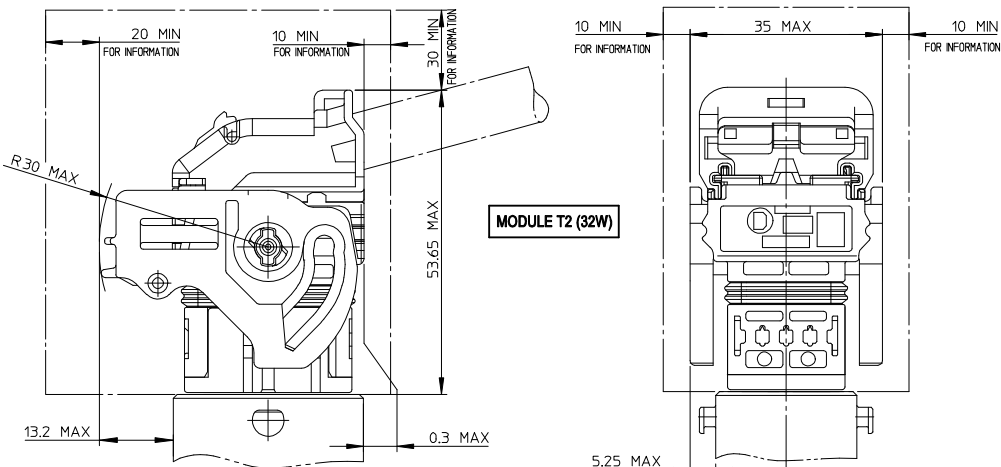
FOR SAME HARNESS EXIT CONFIGURATION



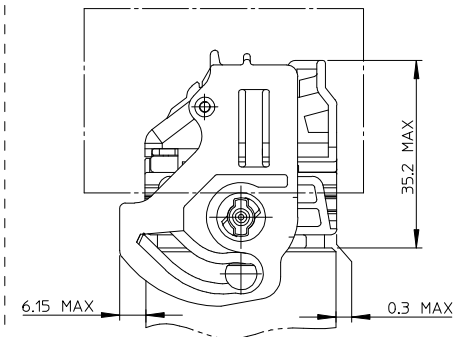
FOR OPPOSITE HARNESS EXIT CONFIGURATION



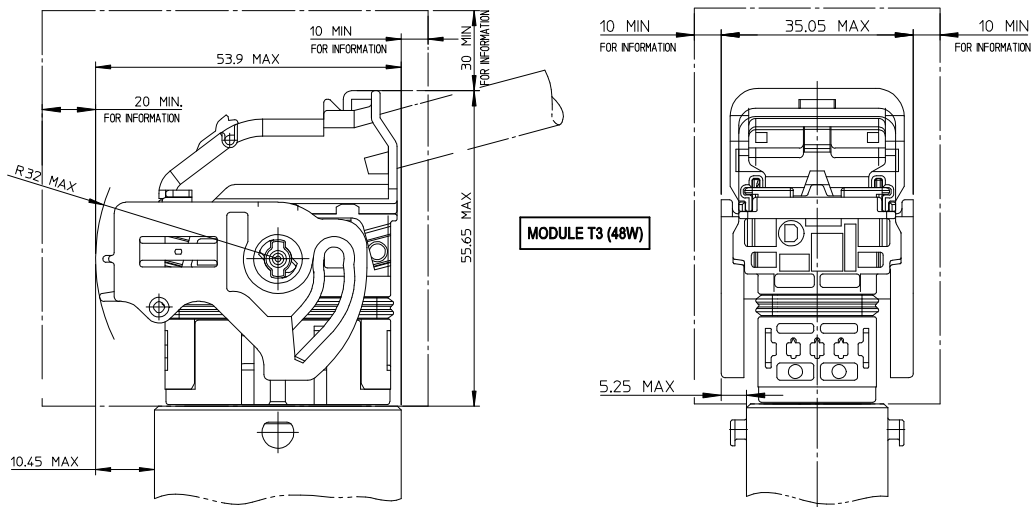
UNLOCKED CONNECTOR - OVERALL DIMENSIONS



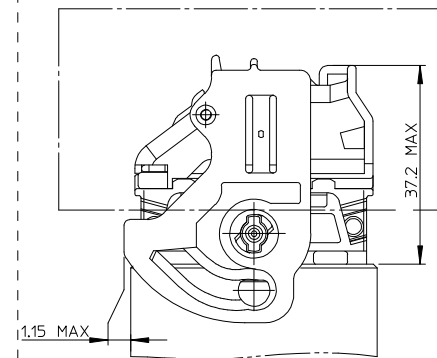
LOCKED CONNECTOR - OVERALL DIMENSIONS



UNLOCKED CONNECTOR - OVERALL DIMENSIONS



LOCKED CONNECTOR - OVERALL DIMENSIONS



LEGEND:



FREE VOLUME FOR MANUAL LOCKING AND UNLOCKING
DIMENSIONS GIVEN FOR INFORMATION ONLY TO BE
CONFIRMED BASED UPON VEHICLE CONFIGURATION.

(SKC) SPECIAL KEY CHARACTERISTIC

QUANTITY PER INDIVIDUAL SHEET

(SKC) = 0

NOTE:

1- T2 = 32 WAY / T3 = 48 WAY

REVISED
ECL NO: G2009-0185
DRAWING: DESBRUERES 2008/12/10
CHKD: J.GIURIATO 2008/12/11
APPR: PLESSIS 2008/12/15

DESCRIPTION

GENERAL TOLERANCES (UNLESS SPECIFIED)

	mm	INCH
4 PLACES	± 0.10	± 0.004
3 PLACES	± 0.15	± 0.005
2 PLACES	± 0.20	± 0.008
1 PLACE	± 0.30	± 0.012
ANGULAR ± 2°		

DRAFT WHERE APPLICABLE
MUST REMAIN
WITHIN DIMENSIONS

DIMENSION STYLE

MM ONLY	DATE
DRAWN BY	G. DESBRUERES 2008/10/02
CHECKED BY	J. GIURIATO 2008/10/03
APPROVED BY	O. PLESSIS 2008/10/06
MATERIAL NO.	N/A

SCALE

1:1	DESIGN UNITS
	METRIC

FIRST ANGLE PROJECTION

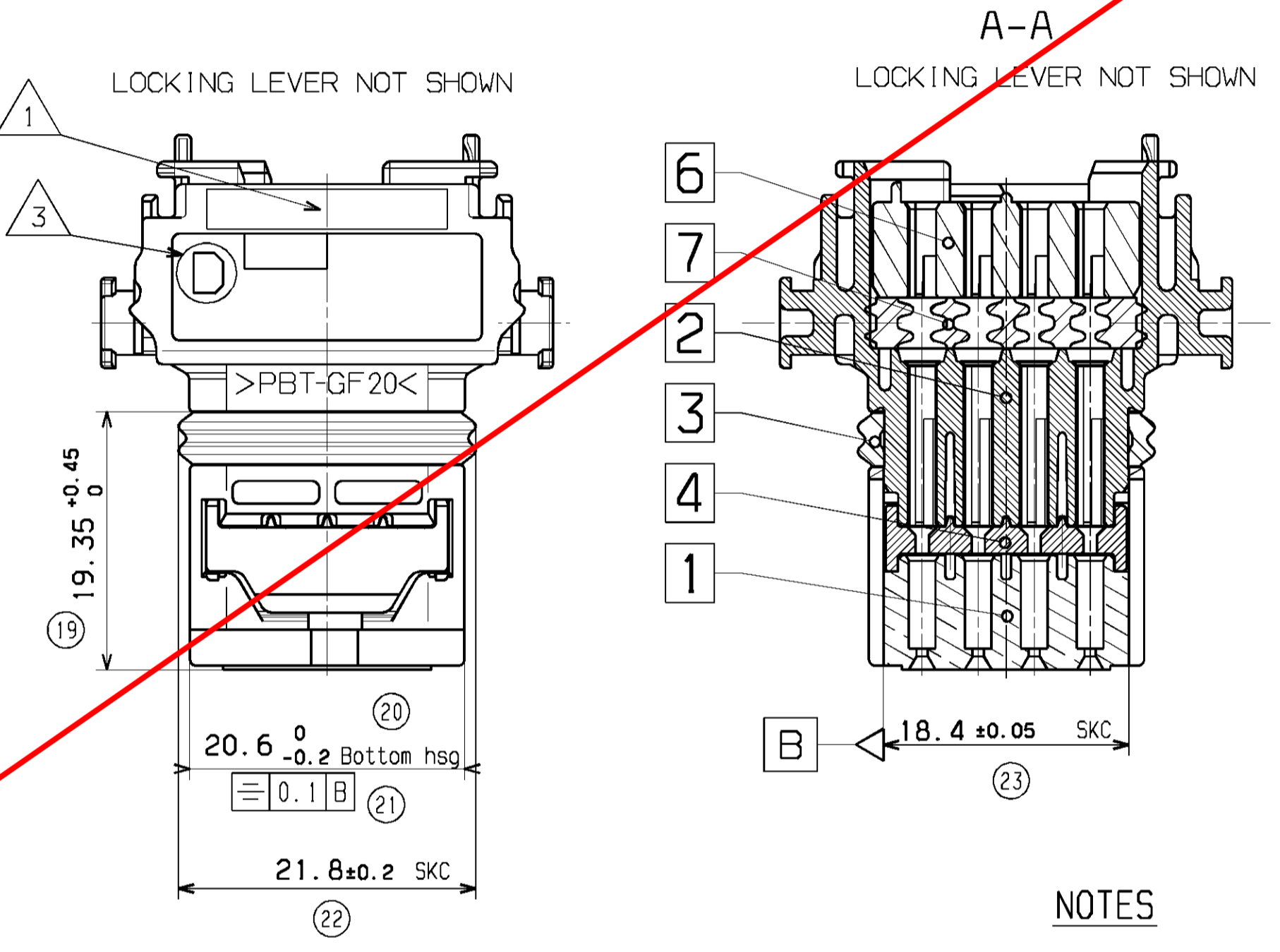
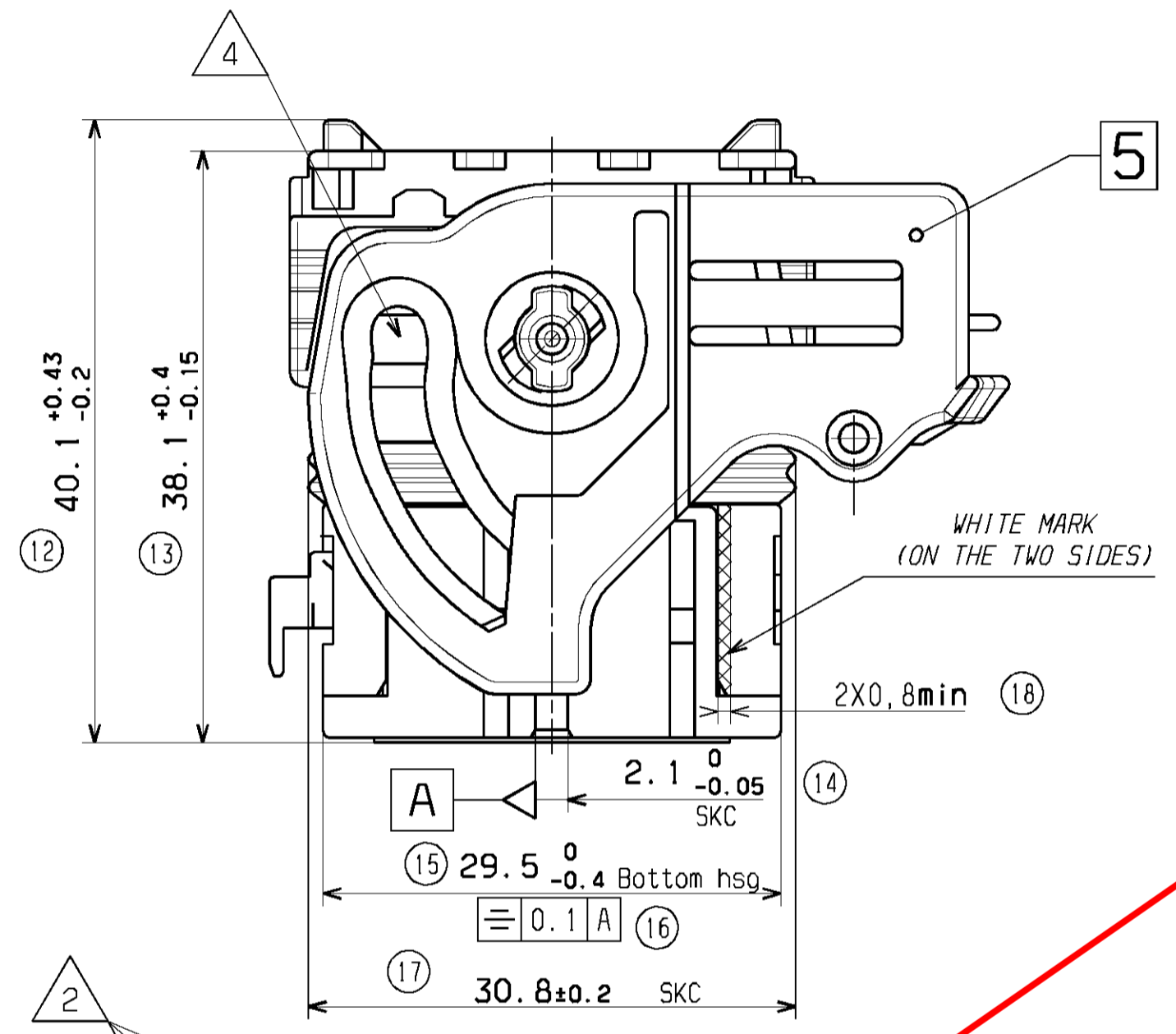
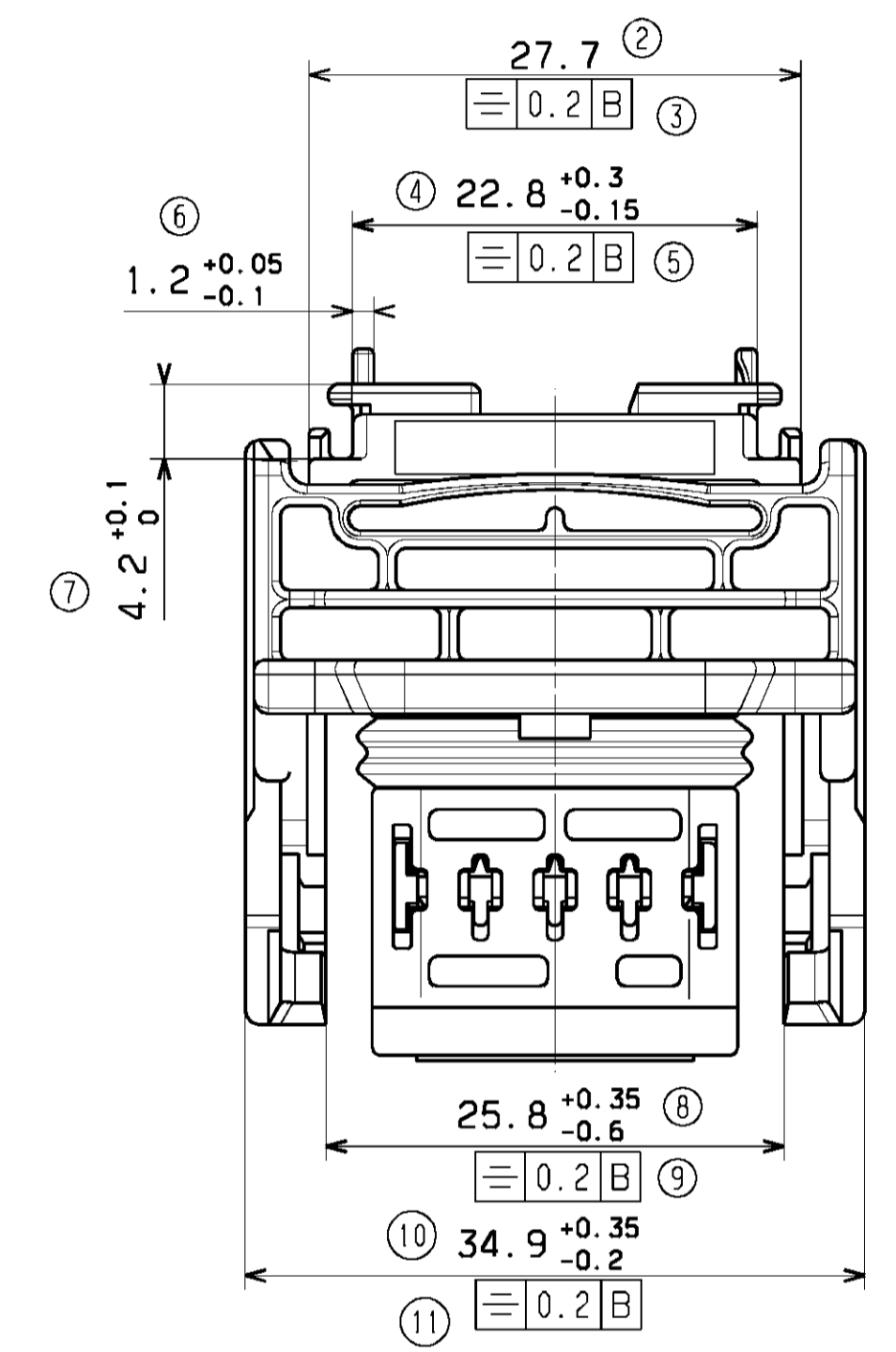
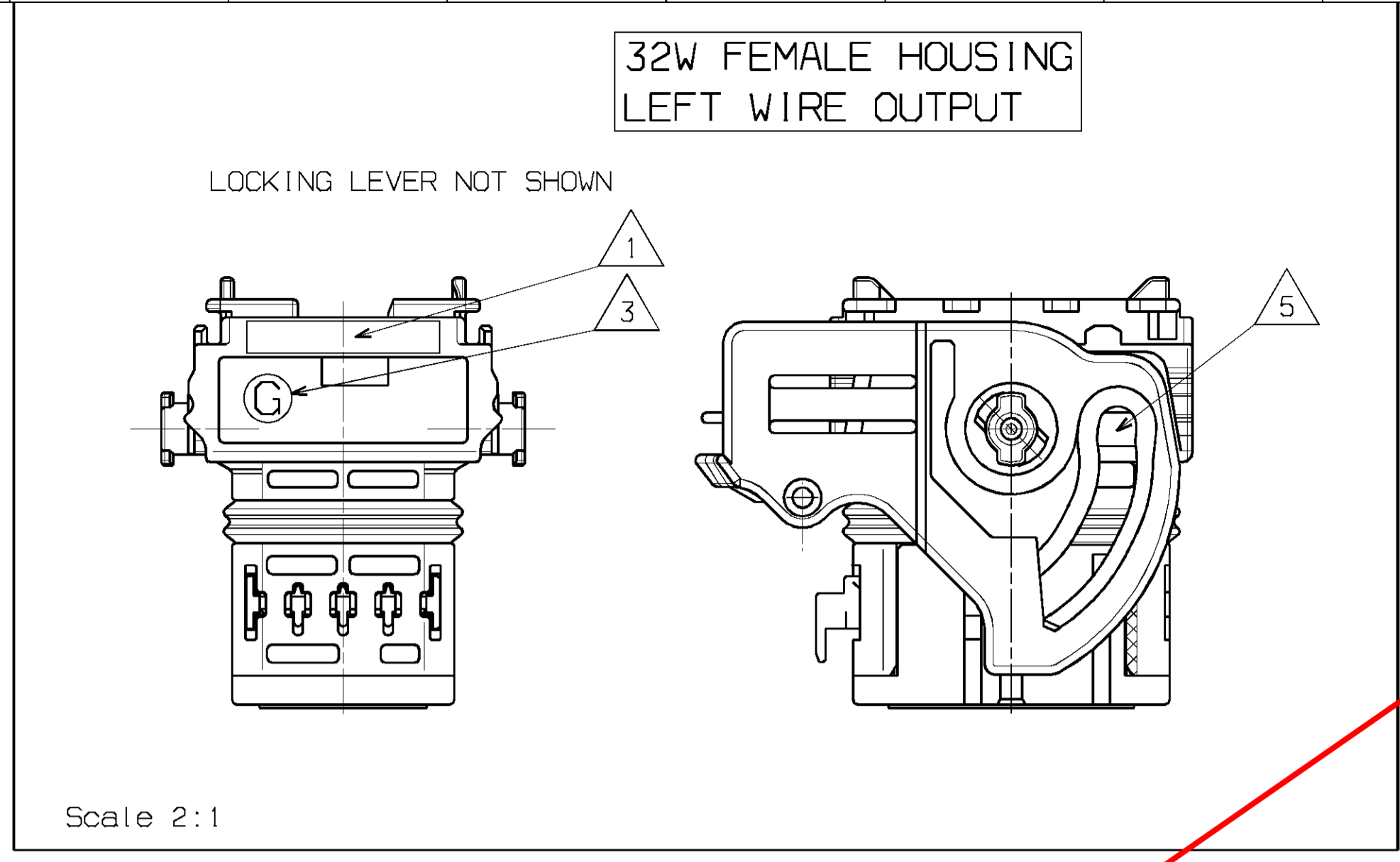
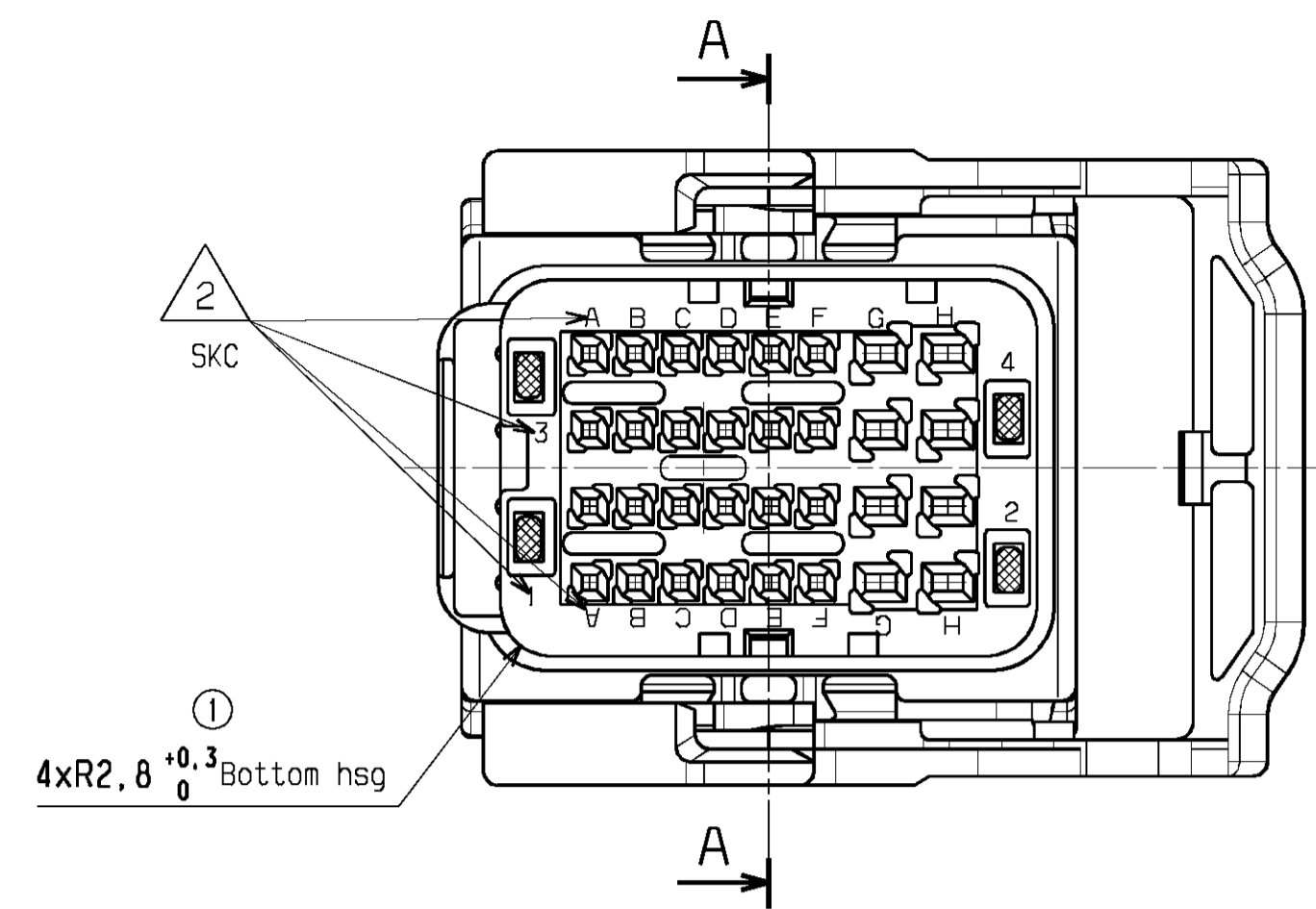
TITLE
INTERFACES FOR MODULES
32 & 48 CKT CMC
GENERIC SALES DRAWING

MOLEX INCORPORATED

DOCUMENT NO. SD-98644-006

SHEET NO. 3 OF 3

THIS DRAWING CONTAINS INFORMATION THAT IS PROPRIETARY TO MOLEX INCORPORATED AND SHOULD NOT BE USED WITHOUT WRITTEN PERMISSION



FEMALE HOUSING 32 WAY
LEFT WIRE OUTPUT

MATERIAL NUMBER	COLOR
0643191211	BLACK
0643191218	GREY
0643191219	BROWN
	GREEN
0643191216	BLUE
	YELLOW

FEMALE HOUSING 32 WAY
RIGHT WIRE OUTPUT

MATERIAL NUMBER	COLOR
0643193211	BLACK
0643193218	GREY
0643193219	BROWN
	GREEN
0643193216	BLUE
	YELLOW

NOTES

- 1-FOR ILLUSTRATION PURPOSE THE FEMALE HOUSING SHOWN IS THE RIGHT WIRE OUTPUT VERSION CODING 1
- 2-INTERFACE DEFINITION, OVERALL DIMENSION AND LOCATION ON HEADER AS PER RSD-98644-005

**VOID AND SUPERSEDED BY
SD-64319-001 rev C**

- 6-WIRES EXTERNAL DIAMETER USED:
FOR CP0,6 TERMINAL: USE WIRES WITH AN EXTERNAL DIAMETER BETWEEN Ø1,25MM MIN AND Ø1,90MM MAX
FOR CP1,5 TERMINAL: USE WIRES WITH AN EXTERNAL DIAMETER BETWEEN Ø1,80MM MIN AND Ø2,80MM MAX
- 7-THE CONNECTOR FITS WITH WIRE CAP T2 (32WAY) MOLEX P/N 0643191201
- 8-BLIND PLUG FOR 0,6 AND 1,5 CAVITIES (MOLEX P/N 0643251010 AND 0643251023) MUST BE USED ON THIS PART
- 9-DELIVERED PRODUCT WEIGHT: 27,6 g

SKC: CS CHARACTERISTICS

- ☒ DENOTES S.P.C DIMENSIONS
- ⊗ DENOTES CRITICAL DIMENSIONS
- DENOTES FUNCTIONAL DIMENSIONS

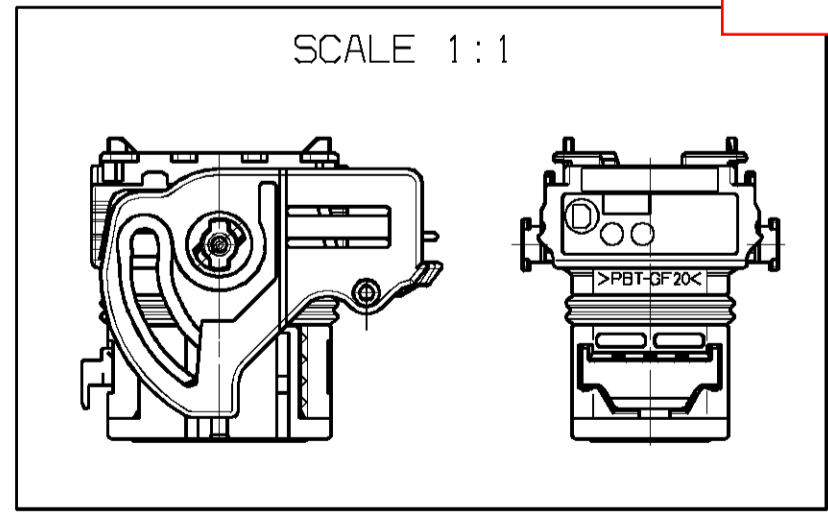
QUANTITY PER INDIVIDUAL SHEET

☒ 0 ⊗ 0 ● 0 SKC: 13

0989930295	7	MATT SEAL	SILICONE SKC	GREEN
0989930256	6	BACK GRID 32 WAYS	PBT-GF20 SKC	BLUE
0989930241	5	LOCKING LEVER SIZE 2	PBT-GF30 SKC	BLACK
0989930235	4	SECONDARY LOCK	PBT-GF20 SKC	GREEN
0986560001	3	PERIPHERAL SEAL SIZE 2	SILICONE SKC	BLUE
0989930211	2	BACK PART	PBT-GF20 SKC	BLACK
0989930221 0989930228 0989930226 0989930229	1	FRONT PART	PBT-GF20 SKC	COLOR ASSOCIATED TO KEYING
MATERIAL NUMBER	MARK	DESIGNATION	MATERIAL	COLOR

MARKINGS

- 1 Assembled part tracability day + year
- 2 Terminal cavities identification
- 3 Lever position indicator:
"D" LETTER VISIBLE= part with "LEVER ON THE RIGHT"
"G" LETTER VISIBLE= part with "LEVER ON THE LEFT"
- 4 Supplier identification
- 5 Material identification

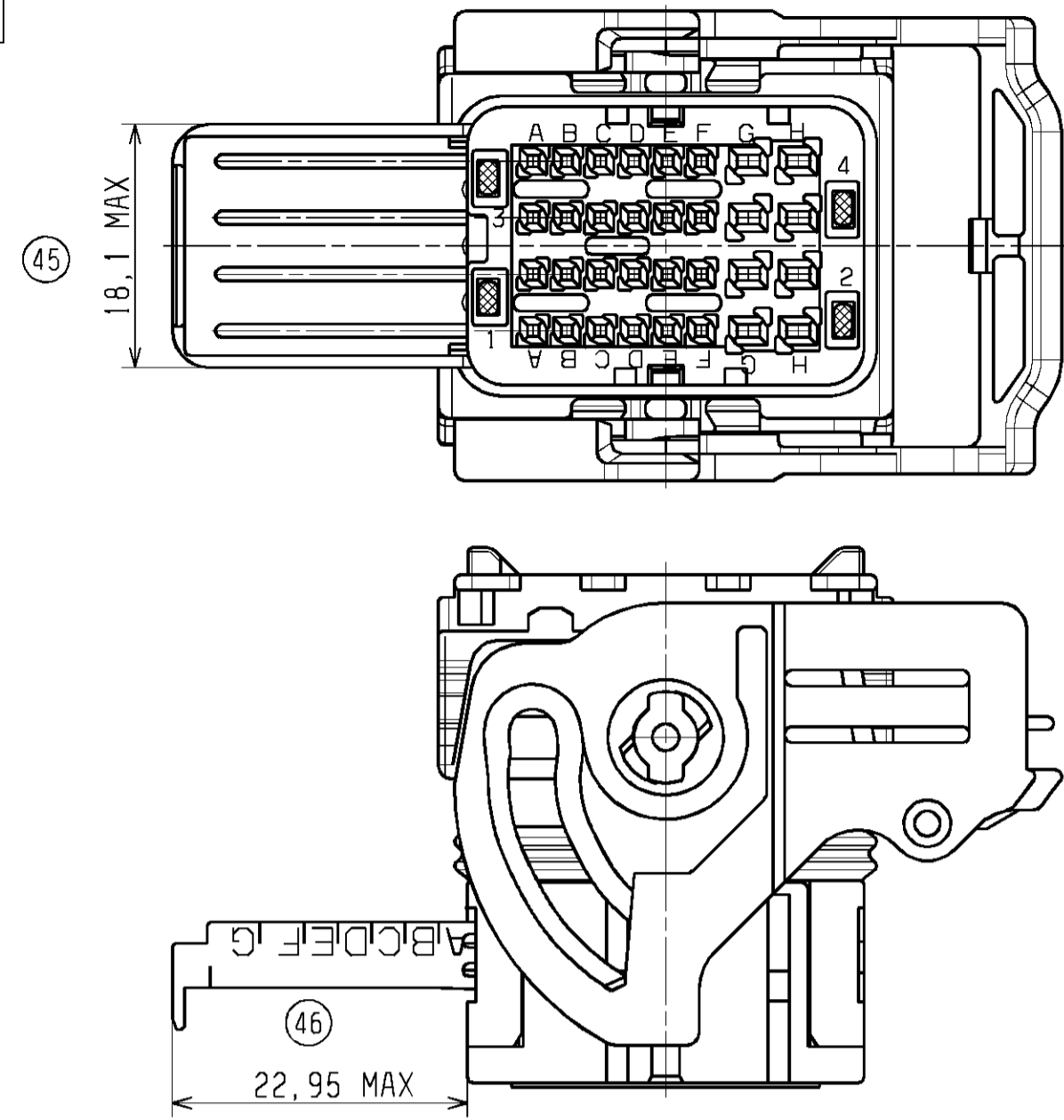


GENERAL TOLERANCES (UNLESS SPECIFIED)		DIMENSION STYLE		SCALE	DESIGN UNITS	FIRST ANGLE PROJECTION	
PLACES	TOLERANCE	MM ONLY	INCH	2.5:1	METRIC	FIRST ANGLE PROJECTION	
4 PLACES	±	mm	INCH				
3 PLACES	±						
2 PLACES	± 0.1						
1 PLACE	± 0.1						
ANGULAR ± 2°							

UPDATED DRAWING EC NO: G2008-0367 DRAWN: TBADAROUX 2008/04/21 CHK'D: PGRANDCLAUDE 2008/04/21 APPR: CBOUCHAN 2008/04/21	DESCRIPTION	GENERAL TOLERANCES (UNLESS SPECIFIED)	DIMENSION STYLE MM ONLY	SCALE 2.5:1	DESIGN UNITS METRIC	FIRST ANGLE PROJECTION	
		4 PLACES ±	DRAWN BY TBADAROUX	DATE 2007/07/16	TITLE CMC CONNECTOR T2 32 WAY MATT SEAL VERSION		
		3 PLACES ±	CHECKED BY PGRANDCLAUDE	DATE 2007/07/16	MOLEX INCORPORATED		
		2 PLACES ± 0.1	APPROVED BY CBOUCHAN	DATE 2007/07/16	MATERIAL NO. SEE CHART		
		1 PLACE ± 0.1			DOCUMENT NO. SD-98993-001	SHEET NO. 1 OF 2	
		ANGULAR ± 2°			THIS DRAWING CONTAINS INFORMATION THAT IS PROPRIETARY TO MOLEX INCORPORATED AND SHOULD NOT BE USED WITHOUT WRITTEN PERMISSION		

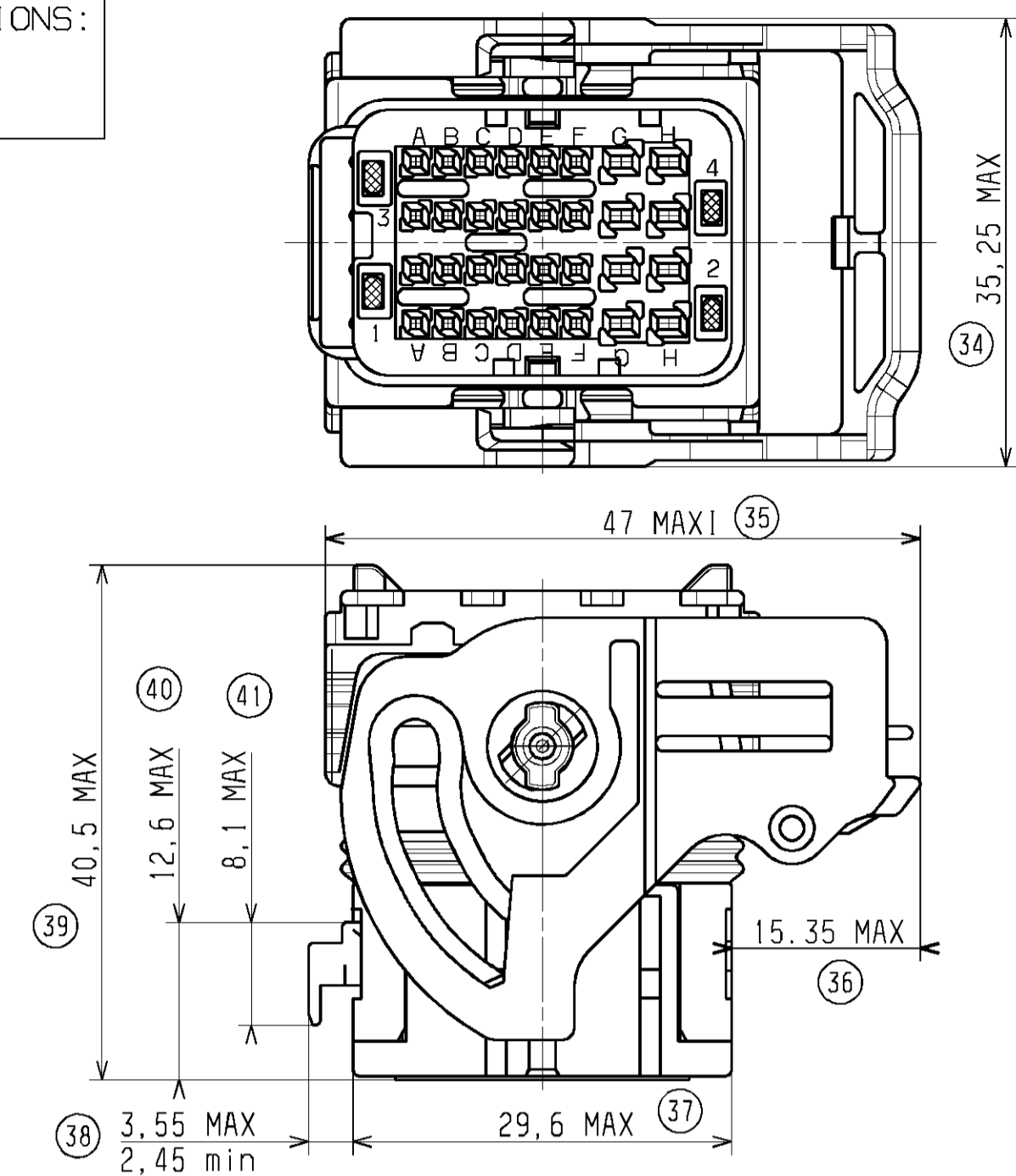
CONNECTOR OVERALL DIMENSIONS:
SECONDARY LOCKING FULLY OPENED
FOR TERMINAL INSERTION

RIGHT WIRE OUTPUT

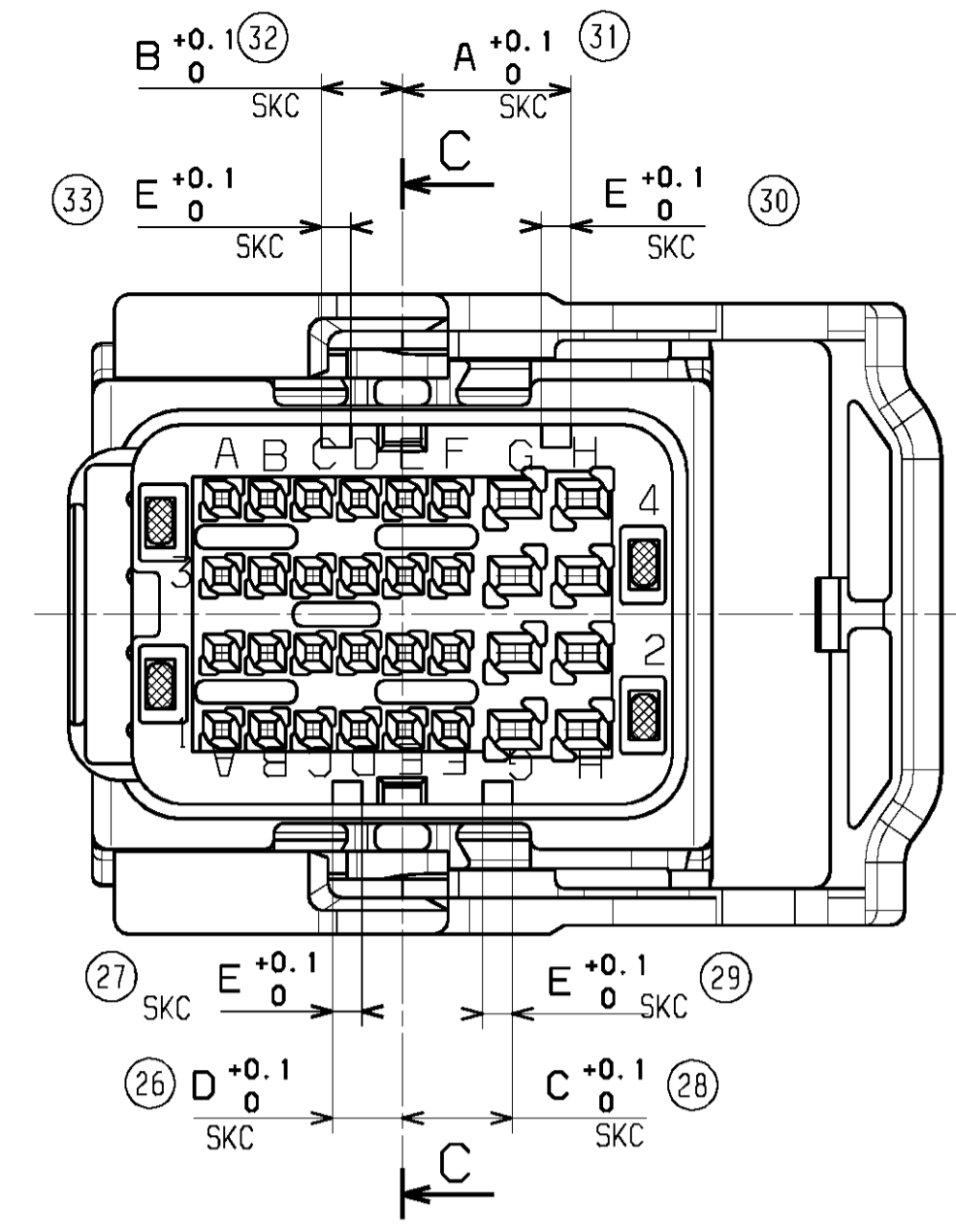


CONNECTOR OVERALL DIMENSIONS:
SECONDARY LOCKING IN
DELIVERY POSITION

RIGHT WIRE OUTPUT

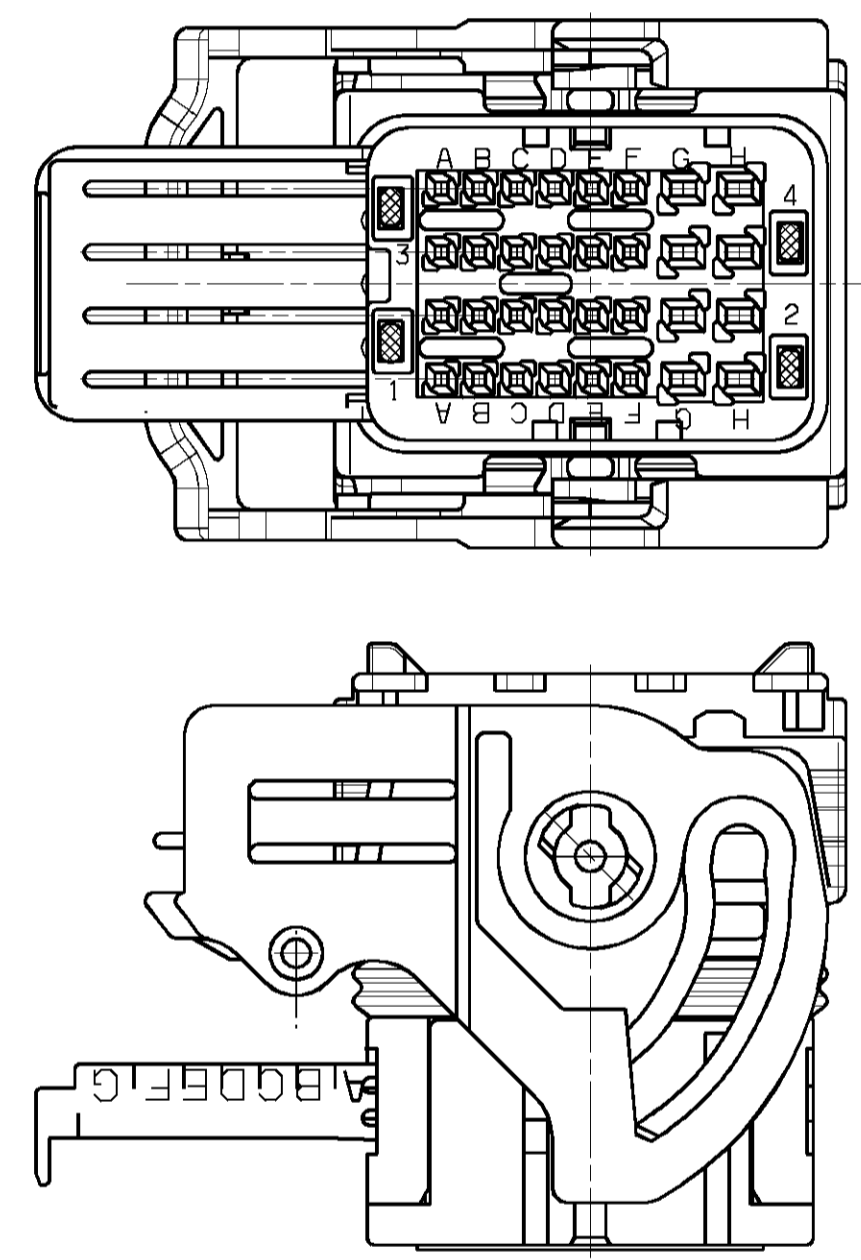


CODING POSITION



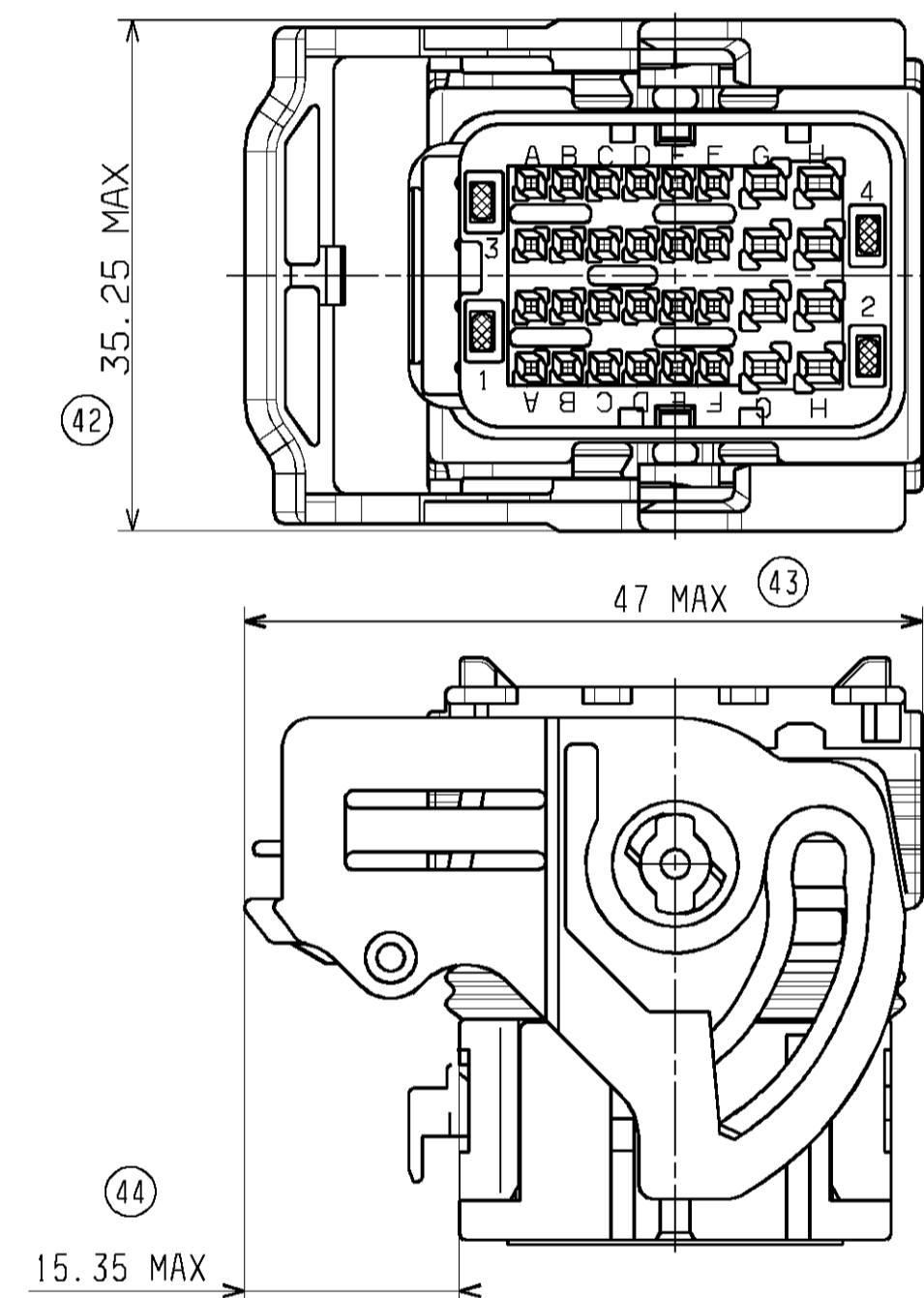
CONNECTOR OVERALL DIMENSIONS:
SECONDARY LOCKING FULLY OPENED
FOR TERMINAL INSERTION

LEFT WIRE OUTPUT

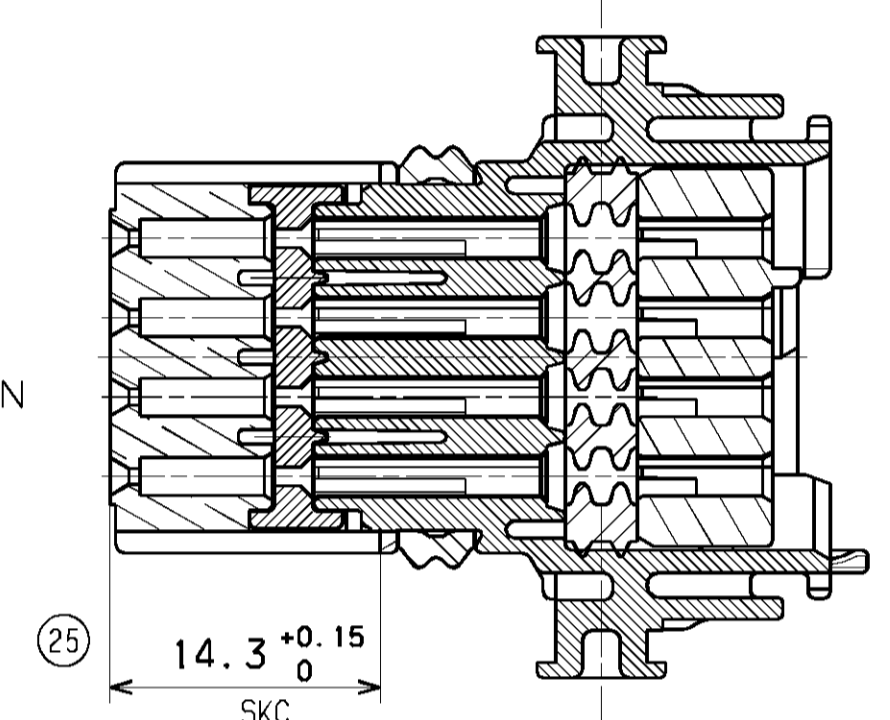


CONNECTOR OVERALL DIMENSIONS:
SECONDARY LOCKING IN
DELIVERY POSITION

LEFT WIRE OUTPUT



C-C
LEVER NOT SHOWN



COLOR	KEYING	A $\frac{+0.1}{0}$	B $\frac{+0.1}{0}$	C $\frac{+0.1}{0}$	D $\frac{+0.1}{0}$	E $\frac{+0.1}{0}$
BLACK	1	9,2	4,4	6	4,4	1,6
GREY	2	7,6	6	9,2	6	1,6
BROWN	3	6	7,6	9,2	9,2	1,6
GREEN	4	7,6	9,2	4,4	4,4	1,6
BLUE	5	4,4	7,6	6	6	1,6
YELLOW	6	9,2	7,6	4,4	7,6	1,6

TERMINALS USED	MOLEX PART NUMBER				
		TIN PLATED TERMINAL	GOLD PLATED TERMINAL 1.27µm min		
CAVITIES IDENTIFICATION	FEMALE TERMINAL 0.635	(0,35 to 0,44 mm ²) 0643221019	(0,5 mm ²) 0643221039	(0,35 to 0,44 mm ²) 0643221229	(0,5 mm ²) 0643221239
	A1 to F1		(0,75 mm ²) 0643221029		(0,75 mm ²) 0643221219
	A2 to F2				
	A3 to F3				
	A4 to F4				
	FEMALE TERMINAL 1.50	(>1 mm ²) 0643231029	(>1 to 2 mm ²) 0643231039	(>1 mm ²) 0643231319	(>1 to 2 mm ²) 0643231219
	G1 to G4				
	H1 to H4				

SKC: CS CHARACTERISTICS

- ⊠ DENOTES S.P.C DIMENSIONS
- ⊗ DENOTES CRITICAL DIMENSIONS
- DENOTES FUNCTIONAL DIMENSIONS

QUANTITY PER INDIVIDUAL SHEET

⊠ 0 ⊗ 0 ● 0 SKC: 9

UPDATED DRAWING EC NO: G2008-0367 DRAWN: TBADAROUX 2008/04/21 CH: KO: PGRANDCLAUDE 2008/04/21 APPR: CBOUCHAN 2008/04/21	DESCRIPTION	GENERAL TOLERANCES (UNLESS SPECIFIED)		DIMENSION STYLE	SCALE	DESIGN UNITS	FIRST ANGLE PROJECTION
		mm	INCH	MM ONLY	2:1	METRIC	
		DRAWN BY		DATE	TITLE		
		CHECKED BY		DATE	CMC CONNECTOR T2 32 WAY MATT SEAL VERSION		
APPROVED BY		DATE	MOLEX INCORPORATED		MATERIAL NO.		SHEET NO.
CBOUCHAN		2007/07/16	SEE SHEET 1		SD-98993-001	2 OF 2	
DRAFT WHERE APPLICABLE MUST REMAIN WITHIN DIMENSIONS		THIS DRAWING CONTAINS INFORMATION THAT IS PROPRIETARY TO MOLEX INCORPORATED AND SHOULD NOT BE USED WITHOUT WRITTEN PERMISSION					