

**PLEASE CHECK WWW.MOLEX.COM FOR LATEST PART INFORMATION**

**Part Number:** [0039013028](#)  
**Status:** **Active**  
**Overview:** [minifit\\_jr](#)  
**Description:** 4.20mm (.165") Pitch Mini-Fit Jr.™ Receptacle Housing, Dual Row, PA Polyamide Nylon 6/6, UL 94V-0, 2 Circuits

**Documents:**

[3D Model](#) [Product Specification PS-5556-001 \(PDF\)](#)  
[Test Summary \(PDF\)](#) [RoHS Certificate of Compliance \(PDF\)](#)  
[Drawing \(PDF\)](#)

**Agency Certification**

CSA	LR19980
TUV	R72081037
UL	E29179

**General**

Product Family	Crimp Housings
Series	<a href="#">5557</a>
Comments	Current = 13A max. per circuit when header is mated to a receptacle loaded with <a href="#">45750</a> series terminals crimped to 16 AWG wire. . See Molex product specification PS-45750-001 for additional current de-rating information.. See Molex product specification PS-5556-001 for additional current de-rating information.
Overview	<a href="#">minifit_jr</a>
Product Name	Mini-Fit Jr.™

**Physical**

Breakaway	No
Circuits (maximum)	2
Color - Resin	Natural (White)
Flammability	94V-0
Gender	Female
Glow-Wire Compliant	No
Keying to Mating Part	None
Lock to Mating Part	Yes
Material - Resin	Nylon
Number of Rows	2
Packaging Type	Bag
Panel Mount	No
Pitch - Mating Interface (in)	0.165 In
Pitch - Mating Interface (mm)	4.20 mm
Pitch - Term. Interface (in)	0.165 In
Pitch - Term. Interface (mm)	4.20 mm
Polarized to Mating Part	Yes
Stackable	No
Temperature Range - Operating	-40°C to +105°C

**Electrical**

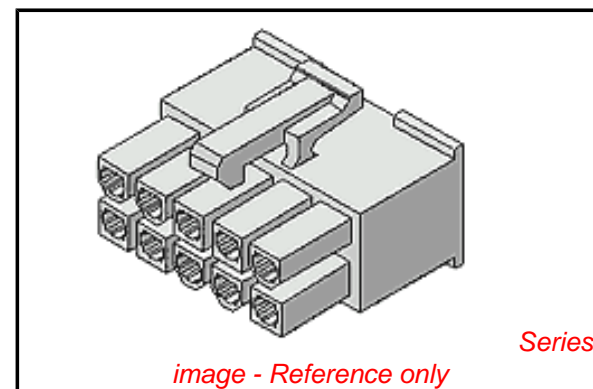
Current - Maximum per Contact	13A
-------------------------------	-----

**Material Info**

Old Part Number	5557-02R1-210
-----------------	---------------

**Reference - Drawing Numbers**

Product Specification	PS-5556-001
-----------------------	-------------



**EU RoHS**

**ELV and RoHS Compliant**  
**REACH SVHC**  
 Not Reviewed  
**Halogen-Free Status**

**China RoHS**



**Halogen-Free**

**Need more information on product environmental compliance?**

Email [productcompliance@molex.com](mailto:productcompliance@molex.com)  
 For a multiple part number RoHS Certificate of Compliance, [click here](#)

Please visit the [Contact Us](#) section for any non-product compliance questions.

**Search Parts in this Series**

[5557Series](#)

**Mates With**

[39-01-2026](#) Panel Mount Plug, [39-01-3029](#) Free Hanging Plug, [5566](#) Vertical Headers, [5569](#) Right Angle Headers, [44472](#) PCB Headers

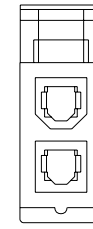
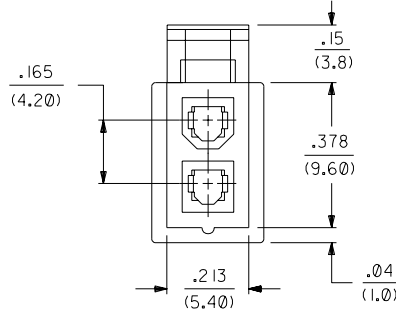
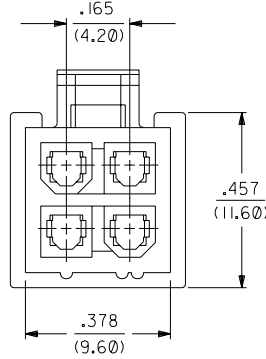
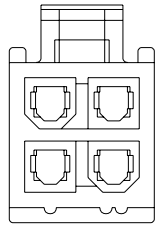
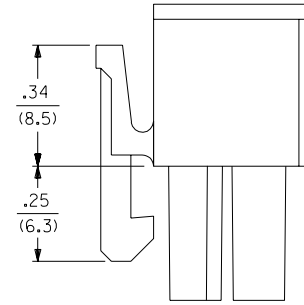
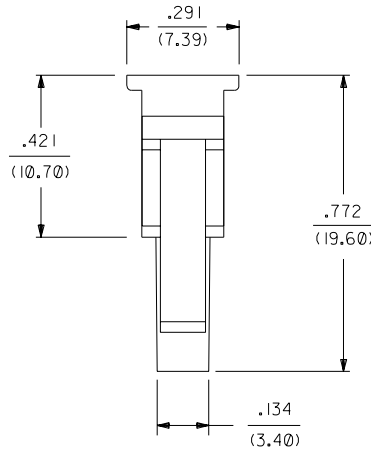
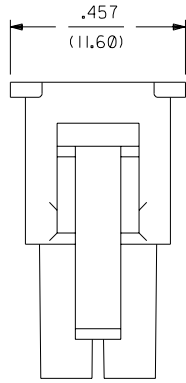
**Use With**

[44476](#) Mini-Fit HCS™ Female Crimp Terminals. [45750](#) Mini-Fit Plus HCS™ Female Crimp Terminals. [5556](#) Mini-Fit Jr.™ Female Crimp Terminals. [444851211](#) Mini-Fit® High Cycle Female Crimp Terminal

This document was generated on 05/19/2010

**PLEASE CHECK [WWW.MOLEX.COM](http://WWW.MOLEX.COM) FOR LATEST PART INFORMATION**

PART NUMBER	ENG. NUMBER	MATERIAL (SEE NOTE 1)
39-01-3028	5557-02RI-210	94V-0
39-01-3048	5557-04RI-210	94V-0
39-01-3022	5557-02RI	94V-2
39-01-3042	5557-04RI	94V-2
15-04-6021	5557-02RI-220	94V-2, U.V. STABLE
NO E.D.P.	5557-04RI-220	94V-2, U.V. STABLE
39-01-6026	5557-02RI-BL	94V-2, BLACK
NO E.D.P.	5557-04RI-BL	94V-2, BLACK



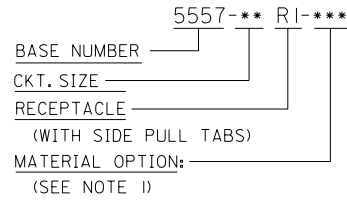
5557-04R-\*\*-  
(WITHOUT SIDE PULL TABS)  
(SHOWN FOR REFERENCE ONLY)

5557-04RI-\*\*-

5557-02RI-\*\*-

5557-02R-\*\*-  
(WITHOUT SIDE PULL TABS)  
(SHOWN FOR REFERENCE ONLY)

**LEGEND:**



**NOTES:**

- MATERIAL:  
 "BLANK" = NYLON 6/6, U.L. 94V-2. COLOR: NATURAL.  
 "210" = NYLON 6/6, U.L. 94V-0. COLOR: NATURAL.  
 "220" = NYLON 6/6, U.L. 94V-2, U.V. STABILIZED. COLOR: BLACK.  
 "BL" = NYLON 6/6, U.L. 94V-2. COLOR: BLACK.
- PART IS FOR USE WITH MOLEX FEMALE TERMINAL #5556.
- PART MATES WITH MOLEX PLUG #5559.
- PART IS DESIGNED IN METRIC.
- PRODUCT SPECIFICATION: PS-5556-001.
- PARTS TO BE PACKAGED PER PK-5557-002

G1	ADD NOTE 6 ECN #UCP2004-0347 CSTEWART,03-09-19
G	REV PS NOTE UCP2003-0396 9/3/2002 SAMIEC
F	ADDED -BL OPTION PER ECN U11972 10-8-91 RJF
E1	94V-2 WAS 94V-0 ECN U11607 GEP 7-26-91 RJF
E	ADDED NOTE 5 ECN U11273 GEP 7-26-91 RJF
D	ADDED -NR VIEWS ECR U10555 2-27-91 RJF
C	ADDED DIM'S PER ECR U00735
B	REDRAWN ON CAD ECR U00570 GEP 8-9-90 RJF

DIMENSIONS SHOWN (METRIC) INCH		▽ = 0		▼ = 0		REVISE ONLY ON CAD SYSTEM	
UNLESS OTHERWISE SPECIFIED TOLERANCES: ANGULAR ± 1/2°							
3 PLACE ± .015		INCH		METRIC		TITLE	
2 PLACE ± --- ± .38						2 & 4 CKT. RECEPTACLE, MINI-FIT JR. SERIES	
1 PLACE --- ± ---						SHEET NO. DATE	
						1 OF 1 8 / 8/90	
DRAFT WHERE APPLICABLE MUST REMAIN WITHIN DIMENSIONS				MOLEX INCORPORATED		SHEET NO. DATE	
				LITSE,ILL. 60532		1 OF 1 8 / 8/90	
DRWG. BY GEP		CHK'D BY RJF		PART NO.		DRWG. NO.	
APP'D BY RAS		SCALE 4 : 1		SEE CHART		SD-5557-**-RI-*	
FILE NAME 555724X1.DGN				THIS DRAWING CONTAINS INFORMATION THAT IS PROPRIETARY TO MOLEX INC. AND SHOULD NOT BE USED WITHOUT WRITTEN PERMISSION			