

**PLEASE CHECK WWW.MOLEX.COM FOR LATEST PART INFORMATION**

**Part Number:** [0015049209](#)  
**Status:** **Active**  
**Overview:** kk  
**Description:** 100 KK® Polarizing Key

**Documents:**

[Drawing \(PDF\)](#) [RoHS Certificate of Compliance \(PDF\)](#)

**General**

Product Family	Accessories
Series	<u>4161</u>
Component Type	Polarizing Key
Overview	<u>kk</u>
Product Name	KK®

**Physical**

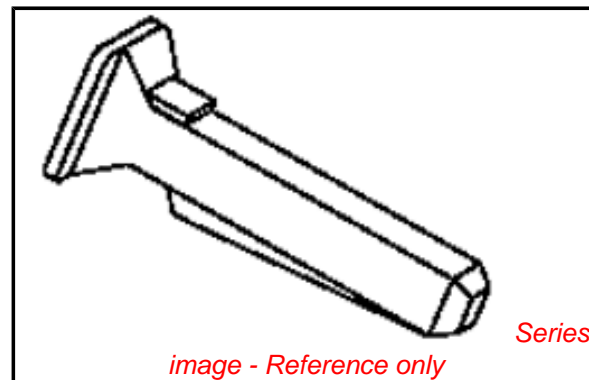
Circuits (Loaded)	1
Lock to Mating Part	No
Packaging Type	Bag

**Material Info**

Old Part Number	4161-1
-----------------	--------

**Reference - Drawing Numbers**

Sales Drawing	SD-4161
---------------	---------



**EU RoHS**

**ELV and RoHS Compliant**  
**REACH SVHC Contains SVHC: No**  
**Halogen-Free Status**  
**Not Halogen-Free**

**China RoHS**



**Need more information on product environmental compliance?**

Email [productcompliance@molex.com](mailto:productcompliance@molex.com)  
 For a multiple part number RoHS Certificate of Compliance, [click here](#)

Please visit the [Contact Us](#) section for any non-product compliance questions.

**Search Parts in this Series**

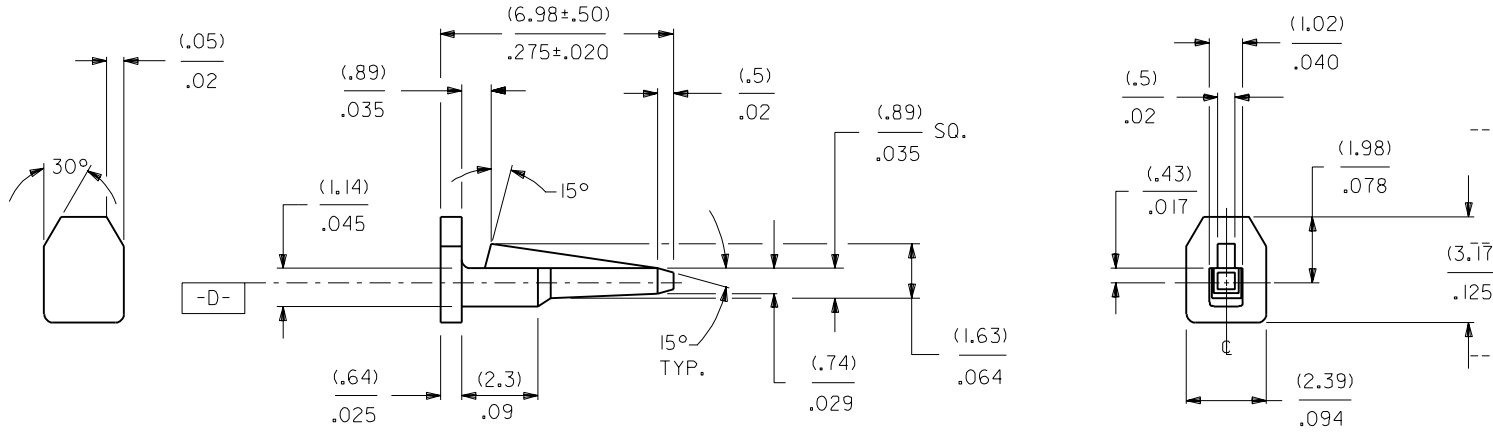
[4161Series](#)

**Use With**

[2695](#) KK® Crimp Terminal Housing. [5051](#) KK® Wire-to-Board Housing. [4455](#) KK® PC Board Connector. [6471](#) KK® Crimp Terminal Housing

NOTES:

1. PARTS TO BE SUPPLIED AS LOOSE PIECES.
2. MATERIAL: POLYESTER 94V-0, NATURAL COLOR.



4161-1  
15-04-9209

MATERIAL WAS NYLON ECR U90661			
8-14-89 A.GUZIK			
REDRAW ON CAD ECR 10301			
10-16-87 A.GUZIK			
M	L	M	L
MFG.	SH.	REV.	LTR.
			REVISIONS

DIMENSIONS SHOWN (METRIC) INCH  
UNLESS OTHERWISE SPECIFIED  
TOLERANCES: ANGULAR ± 1/2°

	INCH	METRIC
3 PLACE	± .010	---
2 PLACE	± .014	± .25
1 PLACE	---	± .36

DRAFT WHERE APPLICABLE MUST REMAIN WITHIN DIMENSIONS

REVISIONS:  = REVISE ONLY ON CAD SYSTEM

TITLE: (POLARIZING KEY)  
FOR KK (2.54) / 100

MOLEX INCORPORATED SHEET NO. DATE  
LISLE, ILL. 60532 U.S.A. 1 OF 2 10 / 16 / 87

PART NO. DRWG. NO. SD-4161

DRWG. BY: GUZIK CHK'D. BY: PATEL  
APP'D. BY: LENZ SCALE: 1:1

FILE NAME: S4161X1 THIS DRAWING CONTAINS INFORMATION THAT IS PROPRIETARY TO MOLEX INC. AND SHOULD NOT BE USED WITHOUT WRITTEN PERMISSION. DIV. SIZE: KK B