

PLEASE CHECK WWW.MOLEX.COM FOR LATEST PART INFORMATION

Part Number: **0743203008**

Status: **Active**

Description: MicroCross™ DVI-A Analog Visual Interface, PCB Receptacle, Panel Mount, Through Hole, Vertical, 0.76µm (30µ) Gold (Au), Lead Free, Screw Hole, 4-40 Thread, 12 Circuits

Documents:

[Drawing \(PDF\)](#)

[Test Summary \(PDF\)](#)

[Product Specification PS-74320-001 \(PDF\)](#)

[RoHS Certificate of Compliance \(PDF\)](#)

Agency Certification

UL E29179

General

Product Family I/O Connectors
Series [74320](#)
Application Wire-to-Board
Comments DDWG (Digital Display Working Group) Standard
Component Type Receptacle
Product Name MicroCross™DVI
Type N/A

Physical

Boot Color N/A
Circuits (Loaded) 12
Circuits (maximum) 24
Color - Resin Natural
Durability (mating cycles max) 100
Flammability 94V-0
Gender Receptacle
Keying to Mating Part Yes
Lock to Mating Part Yes
Material - Metal Copper Alloy
Material - Plating Mating Gold
Material - Plating Termination Tin
Number of Rows 3
Orientation Vertical
PC Tail Length (in) 0.092 In
PC Tail Length (mm) 2.34 mm
PCB Locator Yes
PCB Retention Yes
Packaging Type Tray
Panel Mount Yes
Pitch - Mating Interface (in) 0.075 In
Pitch - Mating Interface (mm) 1.91 mm
Pitch - Term. Interface (in) 0.075 In
Pitch - Term. Interface (mm) 1.91 mm
Plating min: Mating (µin) 30
Plating min: Mating (µm) 0.76
Plating min: Termination (µin) 100
Plating min: Termination (µm) 2.50
Polarized to Mating Part Yes
Polarized to PCB Yes
Ports 1
Surface Mount Compatible (SMC) No
Temperature Range - Operating -20°C to +85°C

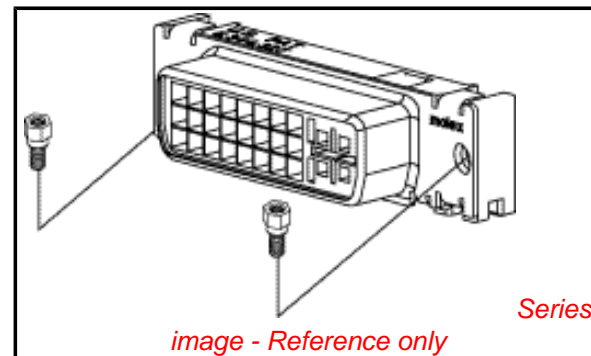


image - Reference only

EU RoHS

**ELV and RoHS
Compliant**

REACH SVHC

Not Reviewed

Halogen-Free

Status

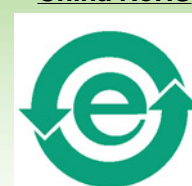
Not Reviewed

**Need more information on product
environmental compliance?**

Email productcompliance@molex.com
For a multiple part number RoHS Certificate of
Compliance, [click here](#)

Please visit the [Contact Us](#) section for any
non-product compliance questions.

China RoHS



Search Parts in this Series

[74320Series](#)

Mates With

[88744](#) , [74323](#)

Use With

[71781](#) Panel Mount Hex Screw Kit

Termination Interface: Style	Through Hole
Waterproof / Dustproof	No
Wire Size AWG	N/A

Electrical

Current - Maximum per Contact	3A
Grounding to Panel	Yes
Shield Type	Full Shield
Shielded	Yes
Voltage - Maximum	40V AC (RMS)

Solder Process Data

Lead-free Process Capability	Wave Capable (TH only)
------------------------------	------------------------

Material Info**Reference - Drawing Numbers**

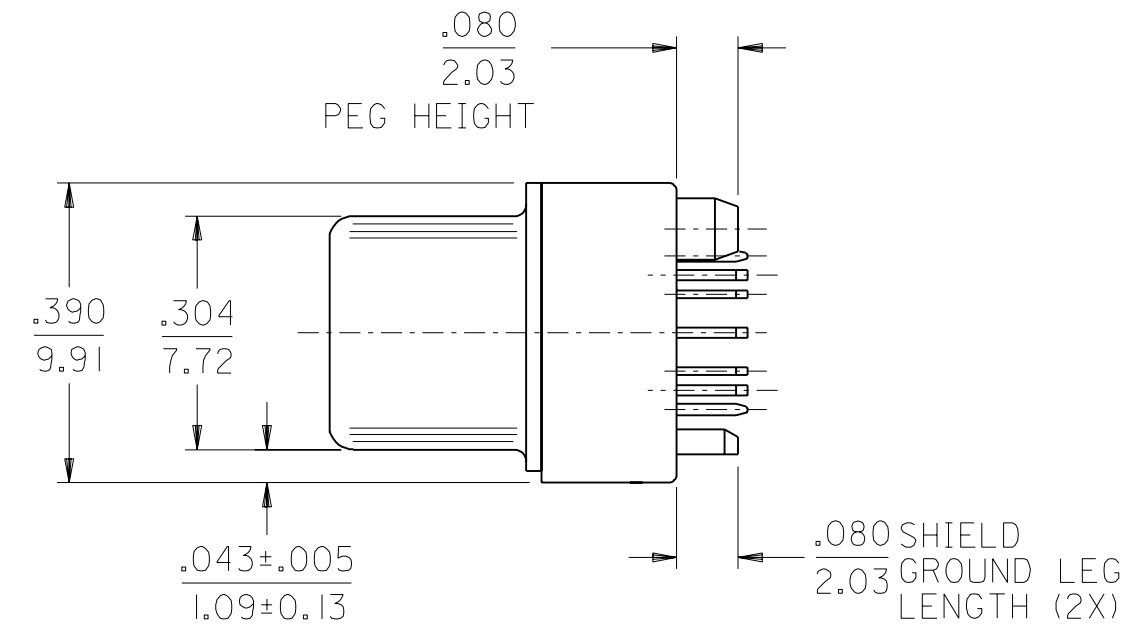
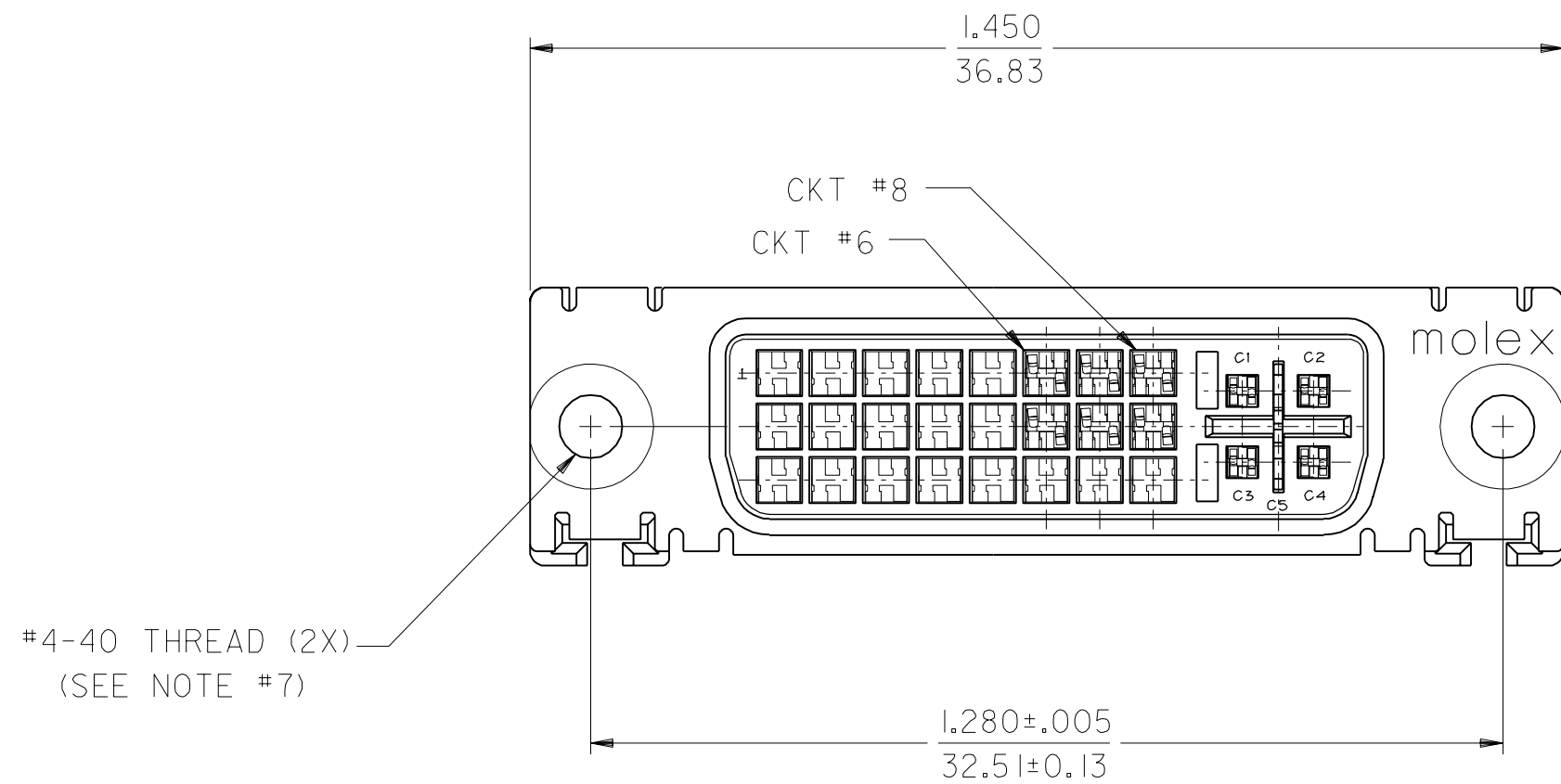
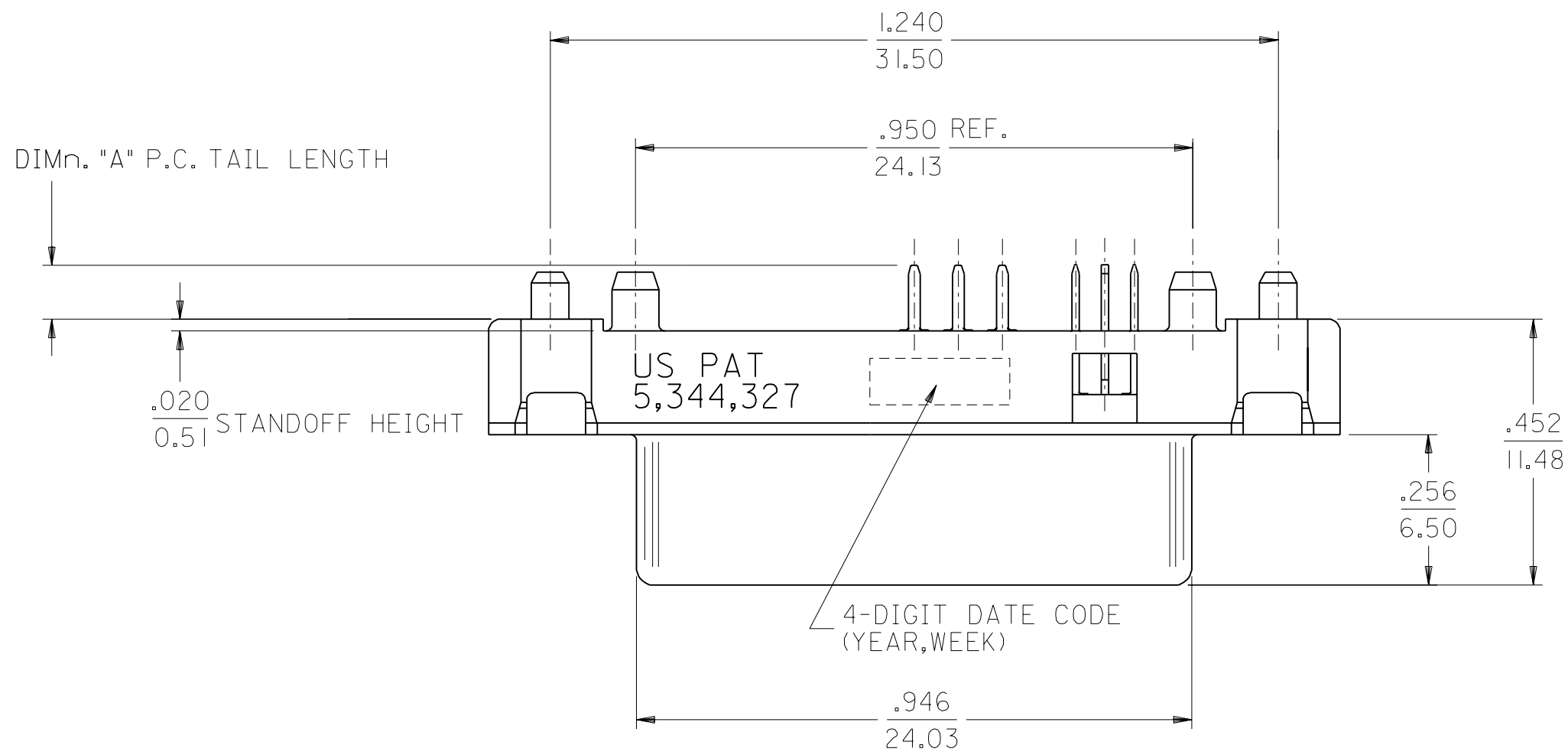
Product Specification	PS-74320-001
Sales Drawing	SD-74320-016

This document was generated on 04/05/2010

PLEASE CHECK WWW.MOLEX.COM FOR LATEST PART INFORMATION

NOTES:

- MATERIALS:
SHIELD -- DEEP DRAW STEEL.
HOUSING -- GLASS FILLED POLYMER, NATURAL (WHITE), UL 94V-0.
CONTACTS -- COPPER ALLOY.
MICROCROSS GROUND -- COPPER ALLOY
- PLATING: SEE SHEET 2.
- PRODUCT CONFORMS TO MOLEX PRODUCT SPECIFICATION NUMBER PS-74320-001.
- SEE SHEET 2 FOR RECOMMENDED PANEL CUT-OUT AND P.C.B. LAYOUT.
- PARTS WILL BE PACKAGED IN TRAYS PER PK-74320-010.
- PRODUCT CONFORMS TO DDWG DVI SPECIFICATION. REFER TO THIS SPECIFICATION FOR CONNECTOR MATING DIMENSIONS.
- RECOMMENDED MOUNTING HARDWARE IS MOLEX P/N 71781-0001 OR 82007-0300 OR 88780-6066. REFER TO PRODUCT SPECIFICATION NUMBER PS-74320-001 FOR THE APPLICATION TORQUE REQUIREMENT FOR ASSEMBLING MOUNTING HARDWARE.



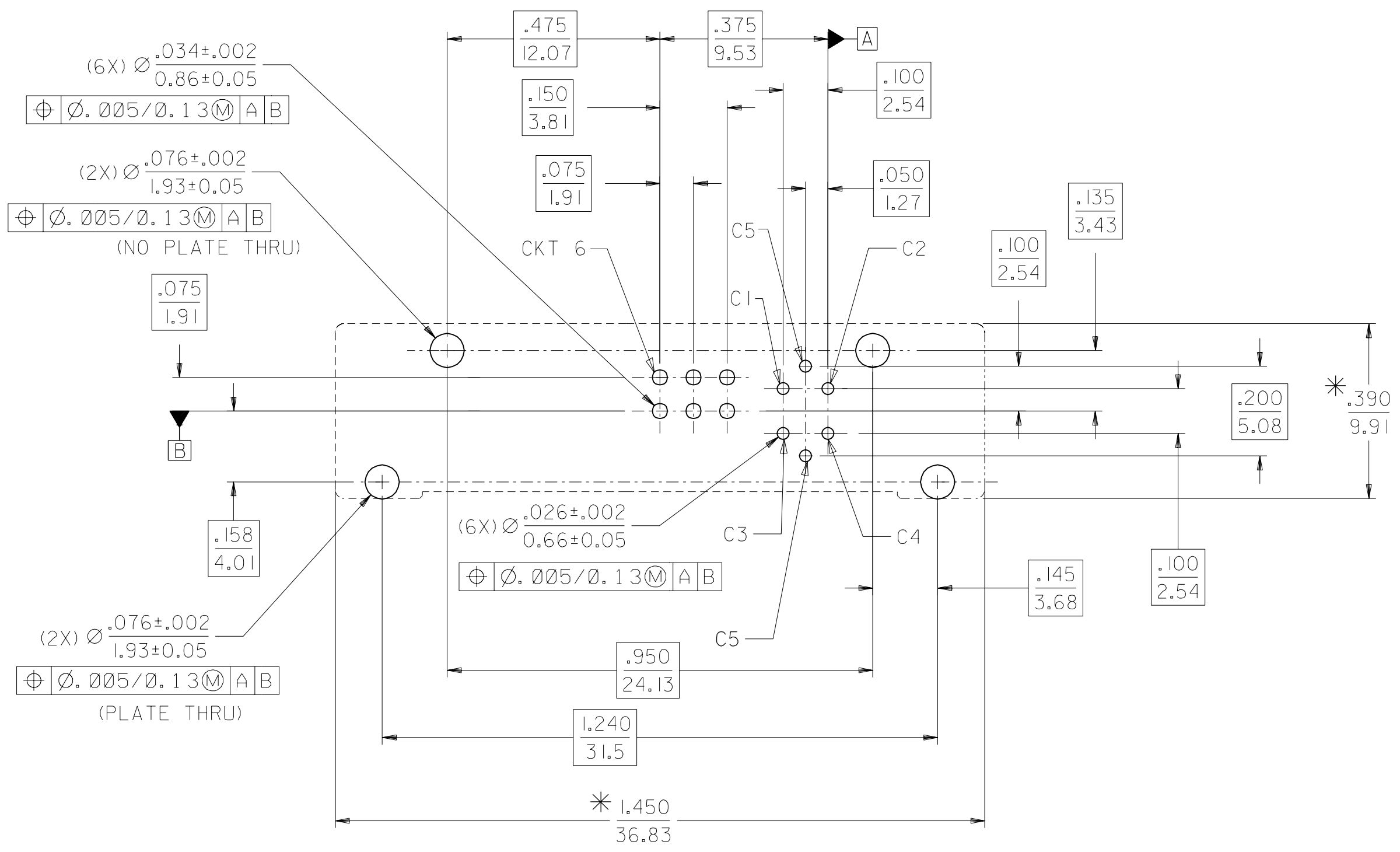
PART NUMBER	DIMn "A"	PLATING OPTION
74320-3008	.092/2.34	1
74320-3009	.092/2.34	2

MODIFICATION	DESCRIPTION	QUALITY SYMBOLS
EC No. SH2004-0130 DRWN: DXUE 04/03/05 CHK: HARVEY 04/03/11 APPR: SHUANG 04/03/12		MAJOR = 0 CRITICAL = 0
D	REV	

	GENERAL TOLERANCES: (UNLESS SPECIFIED)	
	mm	INCH
4 PLACES	±0.	±.
3 PLACES	±0.	±.010
2 PLACES	±0.25	±.010
1 PLACE	±0.25	±.010
ANGULAR: ± 1/2°		
DRAFT WHERE APPLICABLE MUST REMAIN WITHIN DIMENSIONS		

SCALE	DESIGN UNITS	DRAWN BY & DATE
4 : 1	<input type="checkbox"/> mm <input checked="" type="checkbox"/> INCH	KSMITH 99/07/15
		CHECKED BY & DATE
		DSCHMIDG 99/07/15
		APPROVED BY & DATE
		RNELSON 99/07/15
		CAD FILENAME
		SD74320016.S01

DIMENSIONS:		SHT	REV
<input type="checkbox"/> mm ONLY	<input checked="" type="checkbox"/> INCH ONLY		
THIRD ANGLE PROJECTION		REVISE ON CAD ONLY	
TITLE: DVI - A VERTICAL RECEPTACLE CONNECTOR			
MOLEX INCORPORATED			
MATERIAL NO.	DRAWING NO.	SHEET NO.	
SEE CHART	SD-74320-016	1 OF 2	
THIS DRAWING CONTAINS INFORMATION THAT IS PROPRIETARY TO MOLEX INCORPORATED AND SHOULD NOT BE USED WITHOUT WRITTEN PERMISSION.			
			SIZE C



RECOMMENDED PCB LAYOUT

* THESE DIMENSIONS REPRESENT CONNECTOR OVERLAY ON PCB.

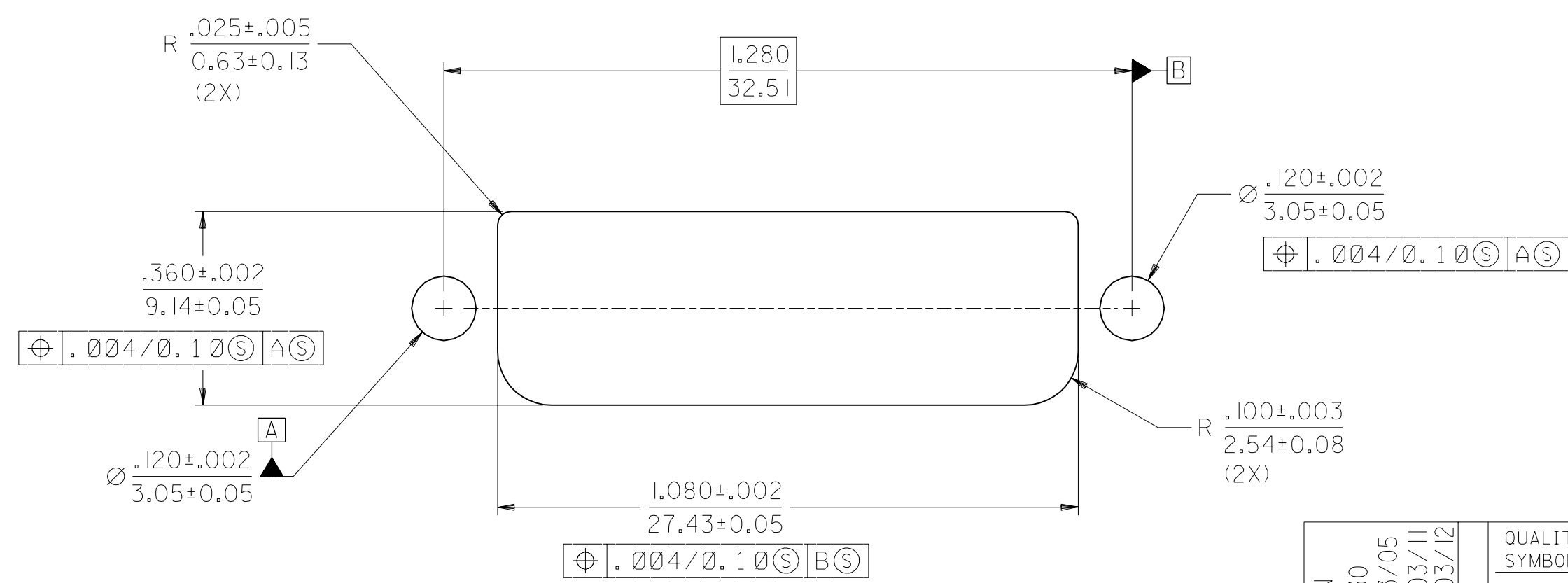
PLATING OPTIONS:

PLATING OPTION #1:

- OUTER SHIELD -- 150u"/3.75um MIN. BRIGHT TIN OVER 50u"/1.27um MIN. NICKEL OVER COPPER FLASH.
- .075"/1.91mm CONTACTS -- 30u"/0.75um MIN. SELECT GOLD AND 100u"/2.50um MIN. SELECT PURE TIN OVER 50u"/1.27um MIN. NICKEL OVERALL.
- .100"/2.54mm CONTACTS -- 30u"/0.75um MIN. SELECT GOLD AND 100u"/2.50um MIN. SELECT PURE TIN OVER 50u"/1.27um MIN. NICKEL OVERALL.
- MICROCROSS GROUND -- 30u"/0.75um MIN. SELECT GOLD AND 100u"/2.50um MIN. SELECT PURE TIN OVER 50u"/1.27um MIN. NICKEL OVERALL.

PLATING OPTION #2:

- OUTER SHIELD -- 150u"/3.75um MIN BRIGHT TIN OVER 50u"/1.27um MIN. NICKEL OVER COPPER FLASH.
- .075"/1.91mm CONTACTS -- SELECT GOLD FLASH AND 100u"/2.50um MIN. SELECT PURE TIN OVER 50u"/1.27um MIN. NICKEL OVERALL.
- .100"/2.54mm CONTACTS -- SELECT GOLD FLASH AND 100u"/2.50um SELECT PURE TIN OVER 50u"/1.27um MIN. NICKEL OVERALL.
- MICROCROSS GROUND -- 30u"/0.75um MIN. SELECT GOLD AND 100u"/2.50um MIN. SELECT PURE TIN OVER 50u"/1.27um MIN. NICKEL OVERALL.



RECOMMENDED PANEL CUT-OUT
PANEL THICKNESS: .030/0.76 - .040/1.02

REV	DESCRIPTION	QUALITY SYMBOLS
D	MODIFICATION EC NO. SH2004-0130 DRWN: DXUE 04/03/05 CHK: HARVEY 04/03/11 APPR: SHUANG 04/03/12	MAJOR =0 CRITICAL =0

GENERAL TOLERANCES: (UNLESS SPECIFIED)	
4 PLACES	±0.10
3 PLACES	±0.15
2 PLACES	±0.25
1 PLACE	±0.50

SCALE 4 : 1	DESIGN UNITS <input type="checkbox"/> mm <input checked="" type="checkbox"/> INCH
DRAWN BY & DATE KSMITH 99/07/15	
CHECKED BY & DATE DSCHMIDG 99/07/15	
APPROVED BY & DATE RNELSON 99/07/15	
CAD FILENAME SD74320016.S02	

DIMENSIONS: <input type="checkbox"/> mm <input checked="" type="checkbox"/> INCH		SHT	REV
THIRD ANGLE PROJECTION		REVISE ON CAD ONLY	
TITLE: DVI - A VERTICAL RECEPTACLE CONNECTOR			
MOLEX INCORPORATED			
MATERIAL NO.	DRAWING NO.	SHEET NO.	
SEE CHART	SD-74320-016	2	
THIS DRAWING CONTAINS INFORMATION THAT IS PROPRIETARY TO MOLEX INCORPORATED AND SHOULD NOT BE USED WITHOUT WRITTEN PERMISSION.			
			SIZE C