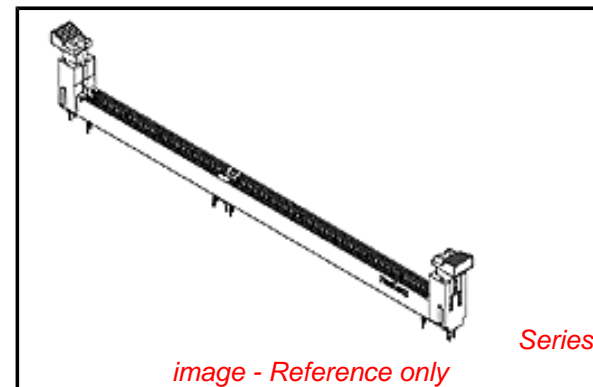


PLEASE CHECK WWW.MOLEX.COM FOR LATEST PART INFORMATION

Part Number: [0783210151](#)
Status: **Active**
Description: 1.00mm (.039") Pitch DDR3 DIMM Socket, LLCR, Vertical, Through Hole, with Beveled Metal Pins, Black Housing, Natural (Off-White) Latches, 0.76µm (30µ") Gold (Au) Plating, 2.67mm (.105") Solder Tail Length, 1.57mm (.062") PCB Thickness, 240 Circuits, Lead free

Documents:

[Drawing \(PDF\)](#) [RoHS Certificate of Compliance \(PDF\)](#)
[Product Specification PS-78321-001 \(PDF\)](#)



Agency Certification

CSA	LR19980
UL	E29179

General

Product Family	Memory Module Sockets
Series	78321
Component Type	Socket
JEDEC Outline	MO-269
Product Name	DDR3 DIMM

Physical

Circuits (Loaded)	240
Circuits (maximum)	240
Color - Resin	Black, Natural
Durability (mating cycles max)	25
Entry Angle	Vertical
Flammability	94V-0
Function Key	None
Keying to Mating Part	Yes
Material - Metal	Copper Alloy
Material - Plating Mating	Gold
Material - Plating Termination	Tin
Material - Resin	High Temperature Thermoplastic
PC Tail Length (in)	0.105 In
PC Tail Length (mm)	2.67 mm
PCB Locator	Yes
PCB Retention	Yes
PCB Thickness Recommended (in)	0.062 In
PCB Thickness Recommended (mm)	1.57 mm
Packaging Type	Tray
Pitch - Mating Interface (in)	0.039 In
Pitch - Mating Interface (mm)	1.00 mm
Pitch - Term. Interface (in)	0.039 In
Pitch - Term. Interface (mm)	1.00 mm
Plating min: Mating (µin)	30
Plating min: Mating (µm)	0.76
Plating min: Termination (µin)	100
Plating min: Termination (µm)	2.54
Temperature Range - Operating	-55°C to +85°C
Termination Interface: Style	Through Hole

Electrical

Current - Maximum per Contact	1A
Voltage - Maximum	30V AC (RMS)/DC

EU RoHS

**ELV and RoHS
Compliant**
**REACH SVHC
Contains SVHC: No**
**Halogen-Free
Status
Not Reviewed**

China RoHS



**Need more information on product
environmental compliance?**

Email productcompliance@molex.com
 For a multiple part number RoHS Certificate of Compliance, [click here](#)

Please visit the [Contact Us](#) section for any non-product compliance questions.

Search Parts in this Series

[78321Series](#)

Mates With

JEDEC standard 1.27mm modules

Voltage Key

Center

Solder Process Data

Duration at Max. Process Temperature (seconds)	10
Lead-free Process Capability	SMC & Wave Capable (TH only)
Max. Cycles at Max. Process Temperature	2
Process Temperature max. C	260

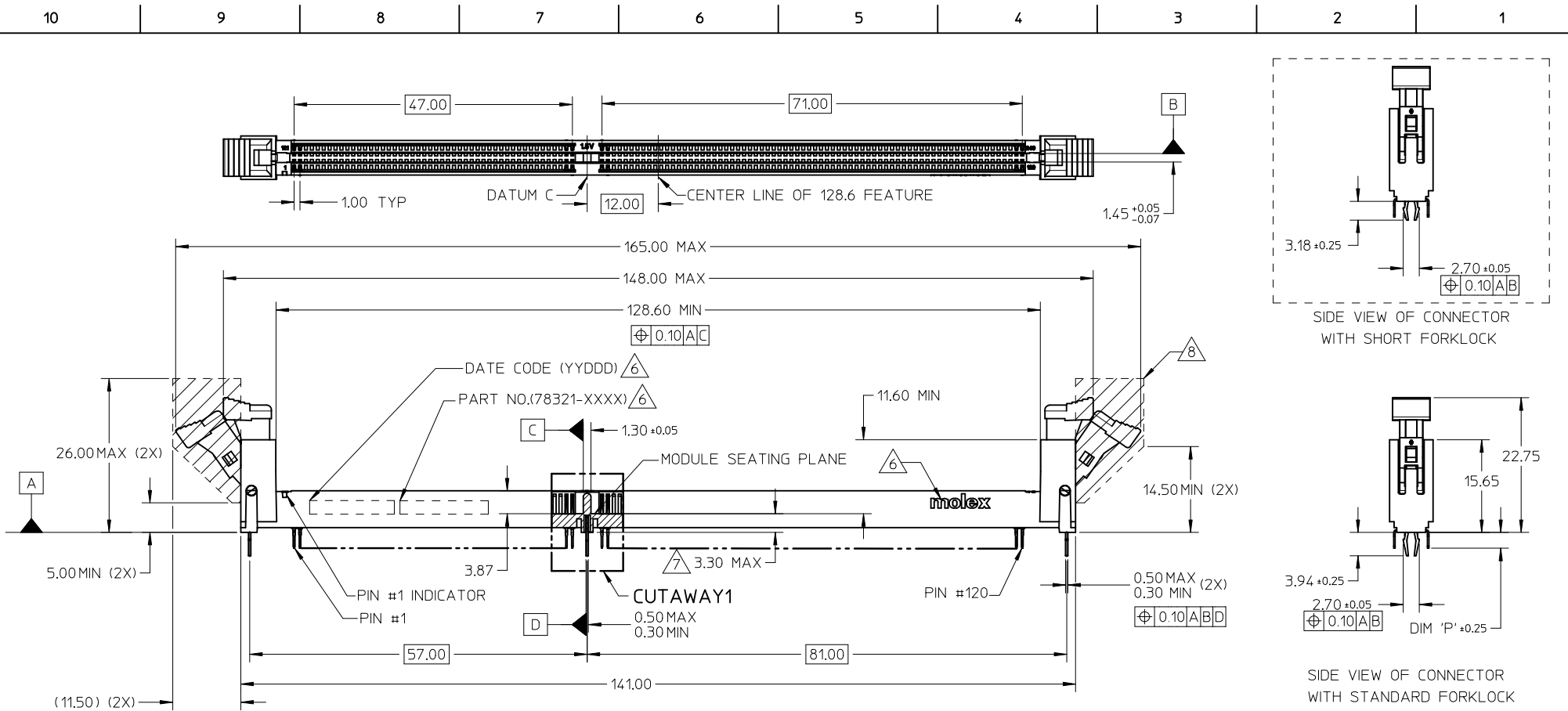
Material Info

Reference - Drawing Numbers

Packaging Specification	PK-78321-001
Product Specification	PS-78321-001
Sales Drawing	SD-78321-001

This document was generated on 06/08/2010

PLEASE CHECK WWW.MOLEX.COM FOR LATEST PART INFORMATION



NOTES:

- MATERIAL: HOUSING - HIGH TEMP NYLON, GLASS FILLED, UL 94V-0
 COLOR: SEE TABLE ON SHEET 6 & 7
 LATCH - HIGH TEMP NYLON, GLASS FILLED, UL 94V-0
 COLOR: SEE TABLE ON SHEET 6 & 7
 TERMINAL: COPPER ALLOY

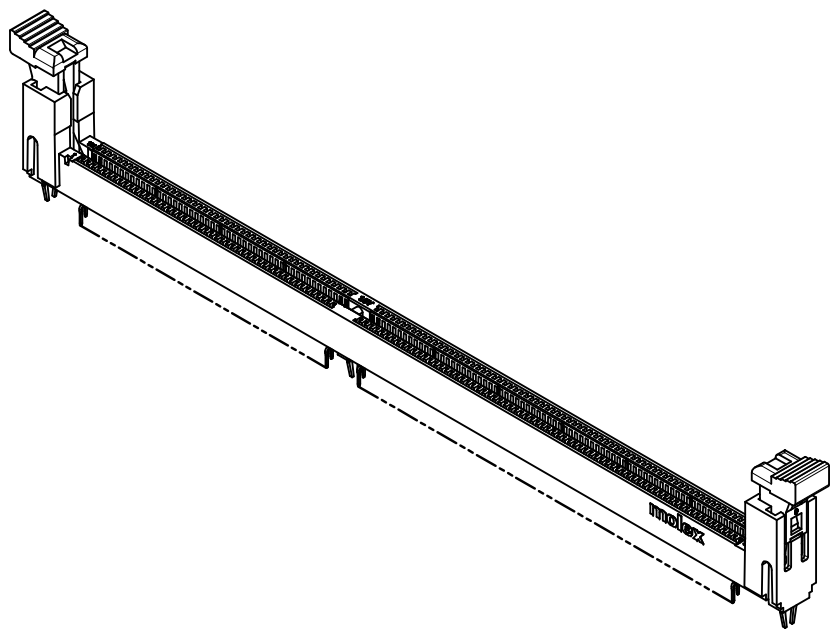
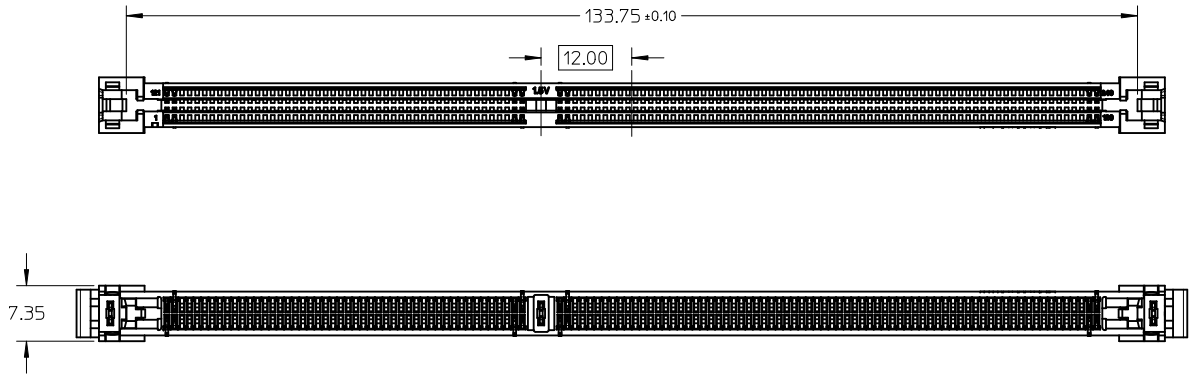
- FINISHES:
 TERMINAL PLATING OPTIONS - SEE TABLE ON SHEET 6 & 7
- PRODUCT SPECIFICATION: SEE TABLE ON SHEET 6 & 7
- PACKAGING INFORMATION: PRODUCT SHALL BE PACKED IN TRAY
- CARD SLOTS ACCEPTS 1.27±0.10MM MODULE THICKNESS (MEASURED FROM PC PADS)

- 6. MOLEX LOGO, DATE CODE AND PART NO. INDICATED ON HOUSING
- 7. MODULE SEATING PLANE FROM TOP OF PCB
- 8. KEEP OUT ZONE RESERVED FOR LATCH

THIS DESIGN IS BASED ON DESIGN OBJECTIVES AND IS STRICTLY TENTATIVE. IT MAY CHANGE BASED ON RESULTS OF ADDITIONAL DESIGN REVIEWS & VERIFICATIONS.

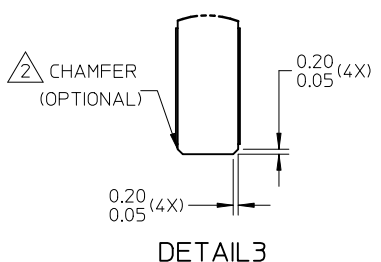
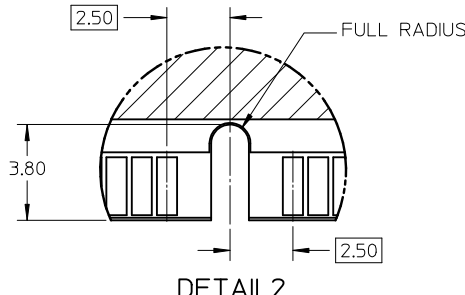
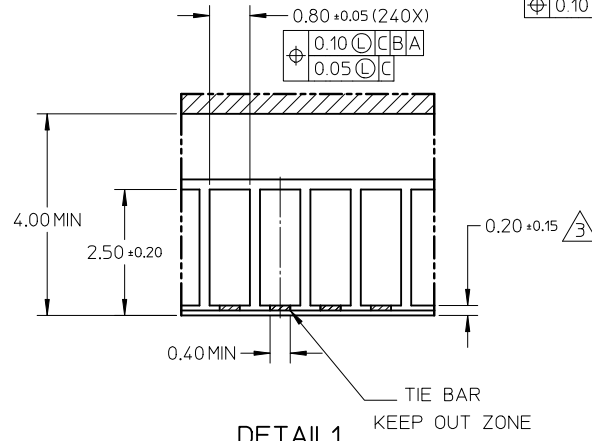
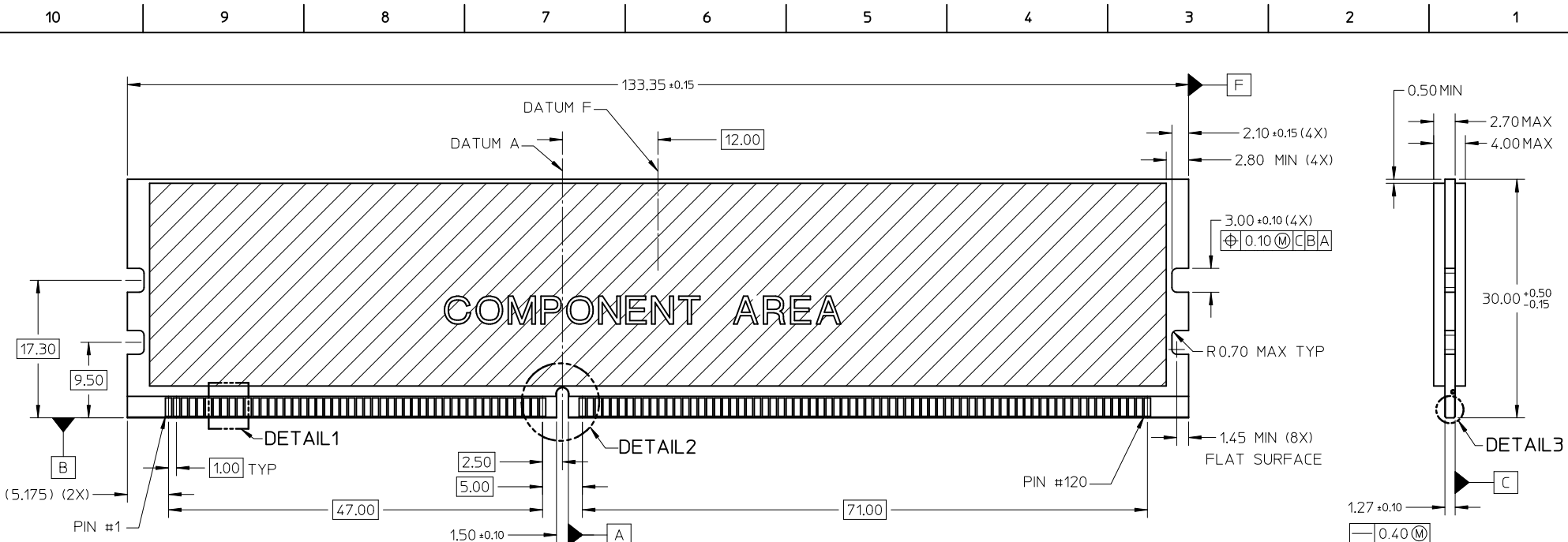
FORKLOCK UPDATED EC NO: S2010-0888 DRWN: JAKEEVIEW CHKD: CCTEH APPR: SHLENI	DESCRIPTION 2010/04/23 2010/06/10 2010/06/13	QUALITY SYMBOLS	GENERAL TOLERANCES (UNLESS SPECIFIED)	DIMENSION STYLE	SCALE	DESIGN UNITS	THIRD ANGLE PROJECTION																	
		$F_A=0$ $F_C=0$ $F_P=0$	<table border="1"> <thead> <tr> <th></th> <th>mm</th> <th>INCH</th> </tr> </thead> <tbody> <tr> <td>4 PLACES</td> <td>± ---</td> <td>± ---</td> </tr> <tr> <td>3 PLACES</td> <td>± ---</td> <td>± ---</td> </tr> <tr> <td>2 PLACES</td> <td>± 0.2</td> <td>± ---</td> </tr> <tr> <td>1 PLACE</td> <td>± ---</td> <td>± ---</td> </tr> </tbody> </table>		mm	INCH	4 PLACES	± ---	± ---	3 PLACES	± ---	± ---	2 PLACES	± 0.2	± ---	1 PLACE	± ---	± ---	MM ONLY	NTS	METRIC			
			mm	INCH																				
		4 PLACES	± ---	± ---																				
3 PLACES	± ---	± ---																						
2 PLACES	± 0.2	± ---																						
1 PLACE	± ---	± ---																						
	<table border="1"> <thead> <tr> <th></th> <th>DATE</th> <th>TITLE</th> </tr> </thead> <tbody> <tr> <td>DRAWN BY</td> <td>2007/09/24</td> <td>DDR3 DIMM, 1.00MM PITCH</td> </tr> <tr> <td>CHECKED BY</td> <td></td> <td>240 CKTS, VERTICAL, T/H</td> </tr> <tr> <td>DATE</td> <td></td> <td>LOW LCCR</td> </tr> <tr> <td>APPROVED BY</td> <td>2007/11/12</td> <td></td> </tr> <tr> <td>DATE</td> <td></td> <td></td> </tr> <tr> <td>MATERIAL NO.</td> <td>2010/06/10</td> <td></td> </tr> </tbody> </table>		DATE	TITLE	DRAWN BY	2007/09/24	DDR3 DIMM, 1.00MM PITCH	CHECKED BY		240 CKTS, VERTICAL, T/H	DATE		LOW LCCR	APPROVED BY	2007/11/12		DATE			MATERIAL NO.	2010/06/10		MOLEX INCORPORATED	SHEET NO. 1 OF 7
	DATE	TITLE																						
DRAWN BY	2007/09/24	DDR3 DIMM, 1.00MM PITCH																						
CHECKED BY		240 CKTS, VERTICAL, T/H																						
DATE		LOW LCCR																						
APPROVED BY	2007/11/12																							
DATE																								
MATERIAL NO.	2010/06/10																							
10	REV	DRAFT WHERE APPLICABLE MUST REMAIN WITHIN DIMENSIONS	SEE TABLE	SD-78321-001	THIS DRAWING CONTAINS INFORMATION THAT IS PROPRIETARY TO MOLEX INCORPORATED AND SHOULD NOT BE USED WITHOUT WRITTEN PERMISSION																			

10 9 8 7 6 5 4 3 2 1



FORKLOCK UPDATED EC NO: S2010-0888 DRWN: JAKEEVEW 2010/04/23 CHKD: CCTEH 2010/06/10 APPR: SHLENI 2010/06/13	QUALITY SYMBOLS	GENERAL TOLERANCES (UNLESS SPECIFIED)	DIMENSION STYLE	SCALE	DESIGN UNITS	THIRD ANGLE PROJECTION	
	$\nabla_A = 0$ $\nabla_C = 0$ $\nabla_P = 0$	mm INCH 4 PLACES ± --- ± --- 3 PLACES ± --- ± --- 2 PLACES ± 0.2 ± --- 1 PLACE ± --- ± --- ANGULAR ± 1 °	MM ONLY	NTS	METRIC	☉ □ THIRD ANGLE PROJECTION	
	REV	DESCRIPTION	DRAWN BY	DATE	TITLE		
	10		YTYANG01	2007/09/24	DDR3 DIMM, 1.00MM PITCH 240 CKTS, VERTICAL, T/H LOW LLCR		
		DRAFT WHERE APPLICABLE MUST REMAIN WITHIN DIMENSIONS	CHECKED BY	DATE	MOLEX INCORPORATED		
			CCTEH	2007/11/12	DOCUMENT NO.		
			APPROVED BY	DATE	SHEET NO.		
			SHLENI	2010/06/10	SD-78321-001		
			MATERIAL NO.	SEE TABLE			2 OF 7
			SIZE	THIS DRAWING CONTAINS INFORMATION THAT IS PROPRIETARY TO MOLEX INCORPORATED AND SHOULD NOT BE USED WITHOUT WRITTEN PERMISSION			
			A3				

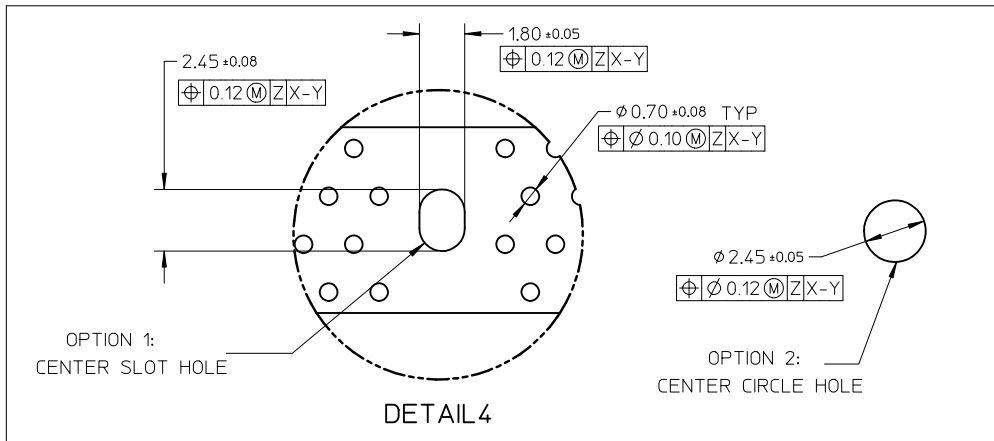
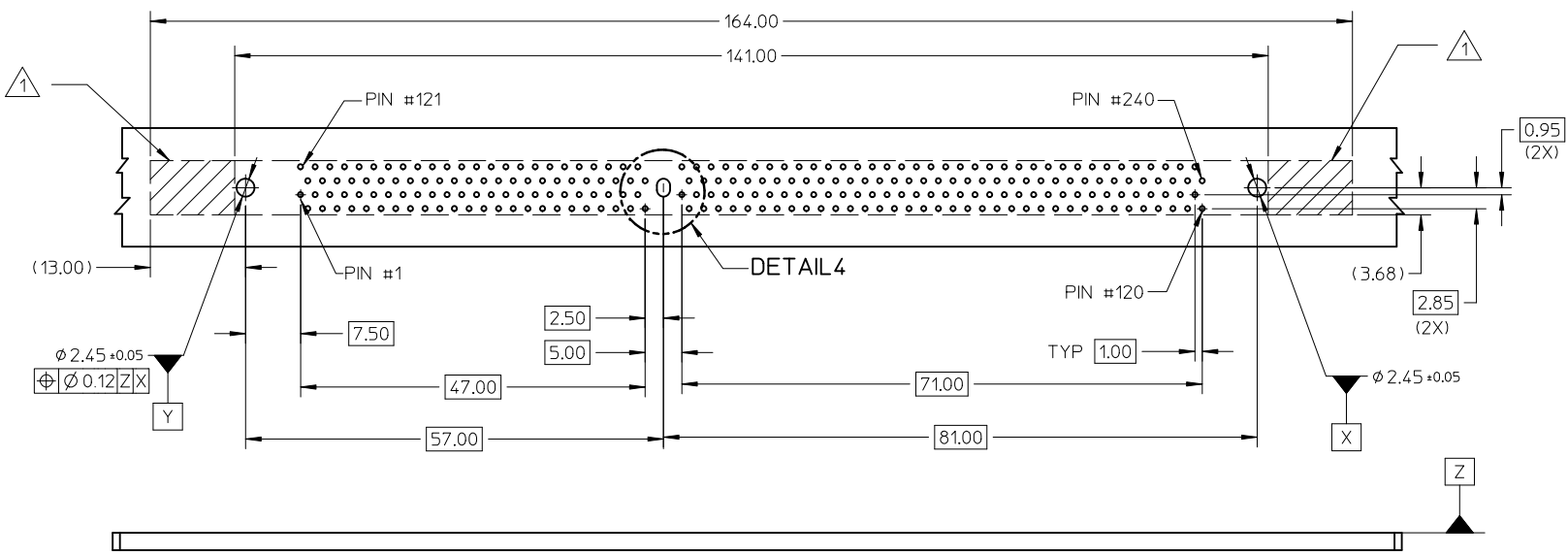
9 8 7 6 5 4 3 2 1



NOTES:
 1. RECOMMENDED PLATING FOR CONTACT PADS:
 PREFERRED: 0.76 MICROMETERS GOLD PLATING MIN OVER 2.00 MICROMETERS NICKEL
 ALTERNATIVE: 0.05-0.75 MICROMETERS GOLD PLATING OVER 2.00 MICROMETERS NICKEL MUST USE AN ELECTRONIC CONTACT GRADE CORROSIVE BARRIER LUBRICANT
 2. CHAMFER IS OPTIONAL AND IS NOT TO HIT THE GOLD PADS
 3. LEADING EDGE OF GOLD PADS SPECIFIED BY KEEPOUT ZONE SHALL BE FREE OF BURRS AND EXTERNAL TIE BARS

FORKLOCK UPDATED EC NO: S2010-0888 DRWN: JAKEEWEW 2010/04/23 CHYKD: CCTEH 2010/06/10 APPR: SHLENI 2010/06/13	QUALITY SYMBOLS	GENERAL TOLERANCES (UNLESS SPECIFIED)	DIMENSION STYLE	SCALE	DESIGN UNITS	THIRD ANGLE PROJECTION																
	$F_A=0$ $F_G=0$ $F_P=0$	<table border="1"> <thead> <tr> <th></th> <th>mm</th> <th>INCH</th> </tr> </thead> <tbody> <tr> <td>4 PLACES</td> <td>± ---</td> <td>± ---</td> </tr> <tr> <td>3 PLACES</td> <td>± ---</td> <td>± ---</td> </tr> <tr> <td>2 PLACES</td> <td>± 0.2</td> <td>± ---</td> </tr> <tr> <td>1 PLACE</td> <td>± ---</td> <td>± ---</td> </tr> </tbody> </table>		mm	INCH	4 PLACES	± ---	± ---	3 PLACES	± ---	± ---	2 PLACES	± 0.2	± ---	1 PLACE	± ---	± ---	MM ONLY	NTS	METRIC		
		mm	INCH																			
	4 PLACES	± ---	± ---																			
3 PLACES	± ---	± ---																				
2 PLACES	± 0.2	± ---																				
1 PLACE	± ---	± ---																				
DESCRIPTION	<table border="1"> <thead> <tr> <th>DRAWN BY</th> <th>DATE</th> <th>TITLE</th> </tr> </thead> <tbody> <tr> <td>YTYANG01</td> <td>2007/09/24</td> <td rowspan="2">DDR3 DIMM, 100MM PITCH 240 CKTS, VERTICAL, T/H LOW LLLCR</td> </tr> <tr> <td>CCTEH</td> <td>2007/11/12</td> </tr> <tr> <td>APPROVED BY</td> <td>DATE</td> <td></td> </tr> <tr> <td>SHLENI</td> <td>2010/06/10</td> <td></td> </tr> </tbody> </table>	DRAWN BY	DATE	TITLE	YTYANG01	2007/09/24	DDR3 DIMM, 100MM PITCH 240 CKTS, VERTICAL, T/H LOW LLLCR	CCTEH	2007/11/12	APPROVED BY	DATE		SHLENI	2010/06/10		<table border="1"> <thead> <tr> <th>MATERIAL NO.</th> <th>DOCUMENT NO.</th> <th>SHEET NO.</th> </tr> </thead> <tbody> <tr> <td>SEE TABLE</td> <td>SD-78321-001</td> <td>3 OF 7</td> </tr> </tbody> </table>	MATERIAL NO.	DOCUMENT NO.	SHEET NO.	SEE TABLE	SD-78321-001	3 OF 7
DRAWN BY	DATE	TITLE																				
YTYANG01	2007/09/24	DDR3 DIMM, 100MM PITCH 240 CKTS, VERTICAL, T/H LOW LLLCR																				
CCTEH	2007/11/12																					
APPROVED BY	DATE																					
SHLENI	2010/06/10																					
MATERIAL NO.	DOCUMENT NO.	SHEET NO.																				
SEE TABLE	SD-78321-001	3 OF 7																				
REV	DRAFT WHERE APPLICABLE MUST REMAIN WITHIN DIMENSIONS	SIZE A3	THIS DRAWING CONTAINS INFORMATION THAT IS PROPRIETARY TO MOLEX INCORPORATED AND SHOULD NOT BE USED WITHOUT WRITTEN PERMISSION																			

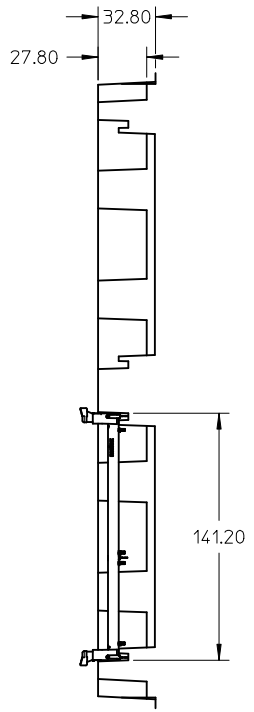
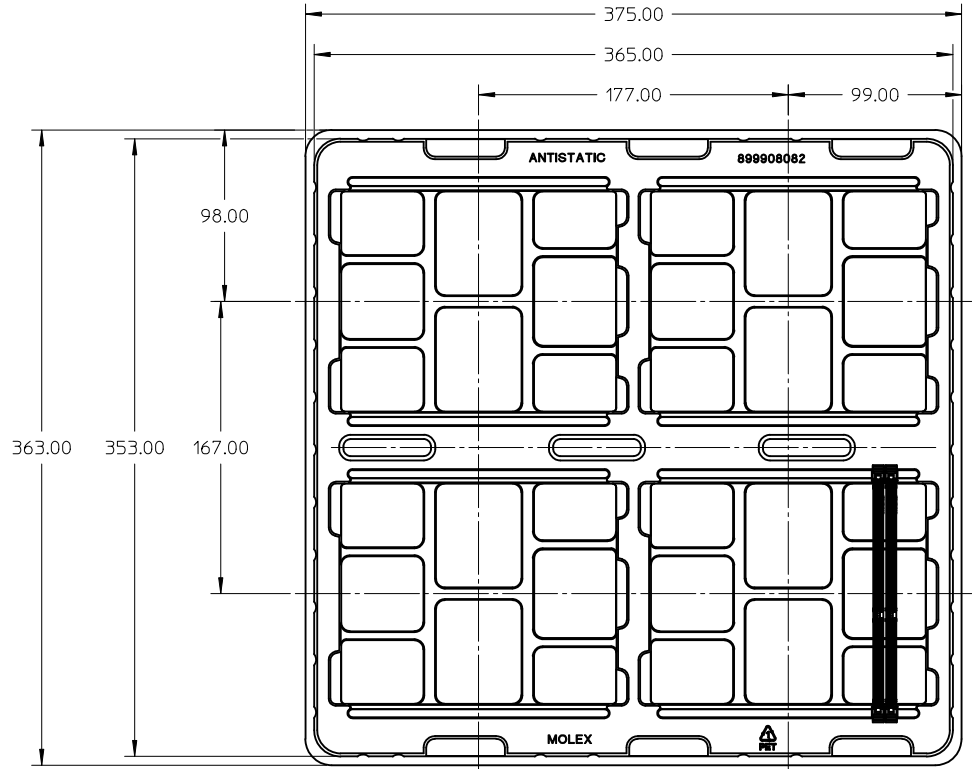
10 9 8 7 6 5 4 3 2 1



NOTE:
 1. KEEPOUT AREA IS THE AREA WHERE THE CONNECTOR (INCLUDING LATCH) IS MOUNTED ON PCB

FORKLOCK UPDATED EC NO: S2010-0888 DRWN: JAKEEWEW 2010/04/23 CHKD: CCTEH 2010/06/10 APPR: SHLENI 2010/06/13	QUALITY SYMBOLS	GENERAL TOLERANCES (UNLESS SPECIFIED)		DIMENSION STYLE MM ONLY		SCALE NTS	DESIGN UNITS METRIC	THIRD ANGLE PROJECTION	
	$\nabla_A = 0$	mm	INCH	DRAWN BY YTYANG01	DATE 2007/09/24	TITLE DDR3 DIMM, 100MM PITCH 240 CKTS, VERTICAL, T/H LOW LLLCR			
	$\nabla_C = 0$	4 PLACES \pm ---	\pm ---	CHECKED BY CCTEH	DATE 2007/11/12	MOLEX INCORPORATED DOCUMENT NO. SD-78321-001 SHEET NO. 4 OF 7			
	$\nabla_P = 0$	3 PLACES \pm ---	\pm ---	APPROVED BY SHLENI	DATE 2010/06/10				
	2 PLACES ± 0.2	\pm ---	MATERIAL NO. SEE TABLE						
	1 PLACE \pm ---	\pm ---	DRAFT WHERE APPLICABLE MUST REMAIN WITHIN DIMENSIONS		THIS DRAWING CONTAINS INFORMATION THAT IS PROPRIETARY TO MOLEX INCORPORATED AND SHOULD NOT BE USED WITHOUT WRITTEN PERMISSION				
10	REV								

9 8 7 6 5 4 3 2 1



NOTES:
1. QTY OF CAVITY : 20 X 4 = 80 PCS

FORKLOCK UPDATED EC NO: S2010-0888 DRWN: JAKEEWEW 2010/04/23 CHKD: CCTEH 2010/06/10 APPR: SHLENI 2010/06/13	QUALITY SYMBOLS $F_A=0$ $F_C=0$ $F_P=0$	GENERAL TOLERANCES (UNLESS SPECIFIED)		DIMENSION STYLE MM ONLY		SCALE NTS	DESIGN UNITS METRIC	THIRD ANGLE PROJECTION		
			mm	INCH	DRAWN BY YTYANG01	DATE 2007/09/24	TITLE DDR3 DIMM, 1.00MM PITCH 240 CKTS, VERTICAL, T/H LOW LLLCR			
		4 PLACES	± ---	± ---	CHECKED BY CCTEH	DATE 2007/11/12	MOLEX INCORPORATED DOCUMENT NO. SD-78321-001 SHEET NO. 5 OF 7			
		3 PLACES	± ---	± ---	APPROVED BY SHLENI	DATE 2010/06/10				
2 PLACES	± 0.2	± ---	ANGULAR ± 1 °		MATERIAL NO.		SEE TABLE			
1 PLACE	± ---	± ---	DRAFT WHERE APPLICABLE MUST REMAIN WITHIN DIMENSIONS		SIZE A3		THIS DRAWING CONTAINS INFORMATION THAT IS PROPRIETARY TO MOLEX INCORPORATED AND SHOULD NOT BE USED WITHOUT WRITTEN PERMISSION			

ASSEMBLY PART NO.	VOLTAGE KEY	DIM 'P'	FORKLOCK LENGTH	RECOMMENDED PCB THICKNESS	PLATING OPTION	HOUSING COLOUR	LATCH COLOUR	PRODUCT SPECIFICATION
78321-0011	CENTRE (1.5V)	2.67	3.94	1.57	0.76 MICROMETER/ 30 MICROINCH MIN. GOLD ON CONTACT 2.54 MICROMETER/ 100 MICROINCH MIN. PURE TIN (MATTE) ON SOLDER TAILS 1.27 MICROMETER/ 50 MICROINCH MIN. NICKEL UNDERPLATE	BLACK	BLACK	PS-78321-001
78321-0016							NATURAL (OFF-WHITE)	
78321-0013		3.00		2.18			BLACK	
78321-0017							NATURAL (OFF-WHITE)	
78321-0012		3.18		2.36			BLACK	
78321-0018							NATURAL (OFF-WHITE)	
78321-0001		2.67	1.57	0.38 MICROMETER/ 15 MICROINCH MIN. GOLD ON CONTACT 2.54 MICROMETER/ 100 MICROINCH MIN. PURE TIN (MATTE) ON SOLDER TAILS 1.27 MICROMETER/ 50 MICROINCH MIN. NICKEL UNDERPLATE	BLACK	PS-78321-002		
78321-0006					NATURAL (OFF-WHITE)			
78321-0003			3.00		2.18		BLACK	
78321-0007							NATURAL (OFF-WHITE)	
78321-0002			3.18		2.36		BLACK	
78321-0008							NATURAL (OFF-WHITE)	

FORKLOCK UPDATED EC NO: S2010-0888 DRWN: JAKEEWEW 2010/04/23 CHKD: CCTEH 2010/06/10 APPR: SHLENI 2010/06/13	QUALITY SYMBOLS	GENERAL TOLERANCES (UNLESS SPECIFIED)	DIMENSION STYLE	SCALE	DESIGN UNITS	THIRD ANGLE PROJECTION															
	$\nabla_A = 0$ $\nabla_C = 0$ $\nabla_P = 0$	<table border="1"> <thead> <tr> <th></th> <th>mm</th> <th>INCH</th> </tr> </thead> <tbody> <tr> <td>4 PLACES</td> <td>± ---</td> <td>± ---</td> </tr> <tr> <td>3 PLACES</td> <td>± ---</td> <td>± ---</td> </tr> <tr> <td>2 PLACES</td> <td>± 0.2</td> <td>± ---</td> </tr> <tr> <td>1 PLACE</td> <td>± ---</td> <td>± ---</td> </tr> </tbody> </table>		mm	INCH	4 PLACES	± ---	± ---	3 PLACES	± ---	± ---	2 PLACES	± 0.2	± ---	1 PLACE	± ---	± ---	MM ONLY	NTS	METRIC	
		mm	INCH																		
	4 PLACES	± ---	± ---																		
3 PLACES	± ---	± ---																			
2 PLACES	± 0.2	± ---																			
1 PLACE	± ---	± ---																			
DESCRIPTION	DRAWN BY: YTYANG01 CHECKED BY: CCTEH APPROVED BY: SHLENI DATE: 2007/09/24 DATE: 2007/11/12 DATE: 2010/06/10	TITLE	DDR3 DIMM, 1.00MM PITCH 240 CKTS, VERTICAL, T/H LOW LLCR																		
REV	10	DRAFT WHERE APPLICABLE MUST REMAIN WITHIN DIMENSIONS	SEE TABLE	MOLEX INCORPORATED		SHEET NO. 6 OF 7															
			SIZE A3	THIS DRAWING CONTAINS INFORMATION THAT IS PROPRIETARY TO MOLEX INCORPORATED AND SHOULD NOT BE USED WITHOUT WRITTEN PERMISSION																	

