

PLEASE CHECK WWW.MOLEX.COM FOR LATEST PART INFORMATION

Part Number: [0850133043](#)
Status: **Active**
Overview: [din_41612](#)
Description: 2.54mm (.100") Pitch DIN 41612 Header, Vertical, 3-Row C-Pin, Press-Fit Style R Male, 32 Circuits (Row B), Copper Tin (CuSn) Contact, Lead free

Documents:

[Drawing \(PDF\)](#) [RoHS Certificate of Compliance \(PDF\)](#)
[Product Specification PS-85013-0002 \(PDF\)](#)

Agency Certification

CSA LR19980
 UL E29179

General

Product Family Backplane Connectors
 Series [85013](#)
 Application Backplane
 Component Type PCB Header
 Overview [din_41612](#)
 Product Name IEC 603-2/DIN 41612
 Style R

Physical

Circuits (Loaded) 32
 Circuits (maximum) 96
 Circuits Detail Standard Contacts at b1,b2,b3,b6,b27,b30,b31,b32; . Last-Mate-First- Break at Contacts X: b4,b5,b28,b29
 Color - Resin Gray
 Durability (mating cycles max) 500
 First Mate / Last Break Yes
 Flammability 94V-0
 Guide to Mating Part No
 Keying to Mating Part Yes
 Material - Metal Phosphor Bronze
 Material - Plating Termination Tin
 Material - Resin Polyester
 Number of Columns 32
 Number of Pairs Open Pin Field
 Number of Rows 3
 Orientation Vertical
 PC Tail Length (in) 0.177 In, 0.240 In
 PC Tail Length (mm) 4.50 mm, 6.30 mm
 PCB Locator No
 PCB Retention Yes
 Packaging Type Tray
 Pitch - Mating Interface (in) 0.100 In
 Pitch - Mating Interface (mm) 2.54 mm
 Pitch - Term. Interface (in) 0.100 In
 Pitch - Term. Interface (mm) 2.54 mm
 Plating min: Mating (µin) 24
 Plating min: Mating (µm) 0.6
 Plating min: Termination (µin) 16
 Plating min: Termination (µm) 0.4
 Polarized to PCB No
 Stackable No

EU RoHS

ELV and RoHS Compliant

REACH SVHC

Not Reviewed

Halogen-Free

Status

Not Reviewed

China RoHS



Need more information on product environmental compliance?

Email productcompliance@molex.com
 For a multiple part number RoHS Certificate of Compliance, [click here](#)

Please visit the [Contact Us](#) section for any non-product compliance questions.

Search Parts in this Series

[85013Series](#)

Mates With

[85052 Receptacle](#)

Surface Mount Compatible (SMC)	No
Temperature Range - Operating	-55°C to +125°C
Termination Interface: Style	Through Hole - Compliant Pin

Electrical

Current - Maximum per Contact	2.5A
Data Rate	622.0 Mbps
Real Signals (per 25mm)	30
Shield Type	N/A
Shielded	No
Voltage - Maximum	1000V (RMS)

Material Info

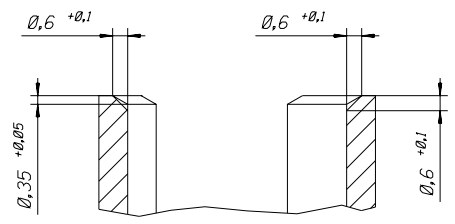
Reference - Drawing Numbers

Packaging Specification	PK-85013-001
Product Specification	PS-85013-0002
Sales Drawing	610-6043-201, SDA-85013-3043

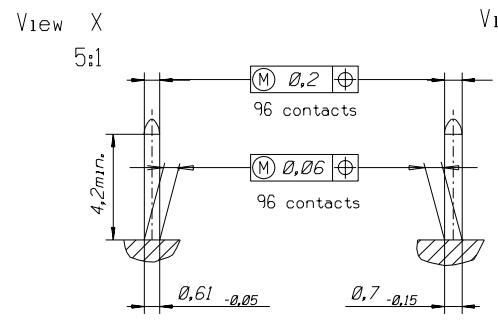
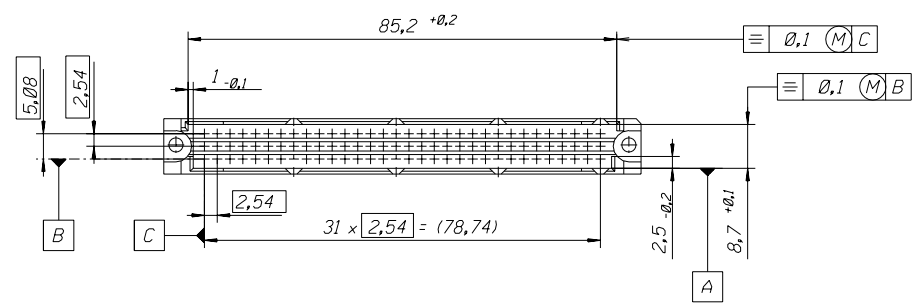
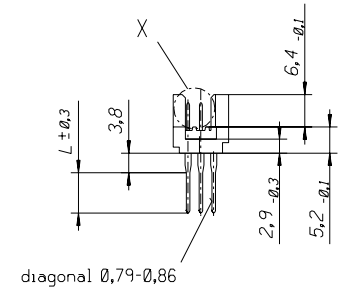
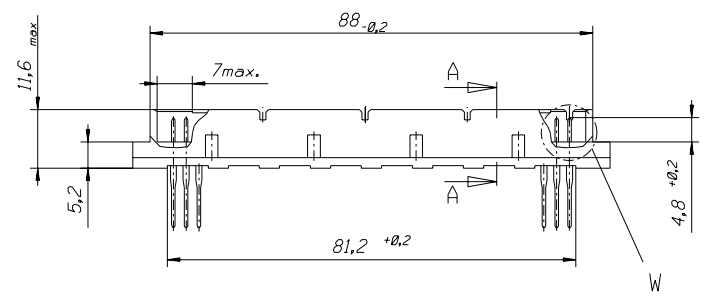
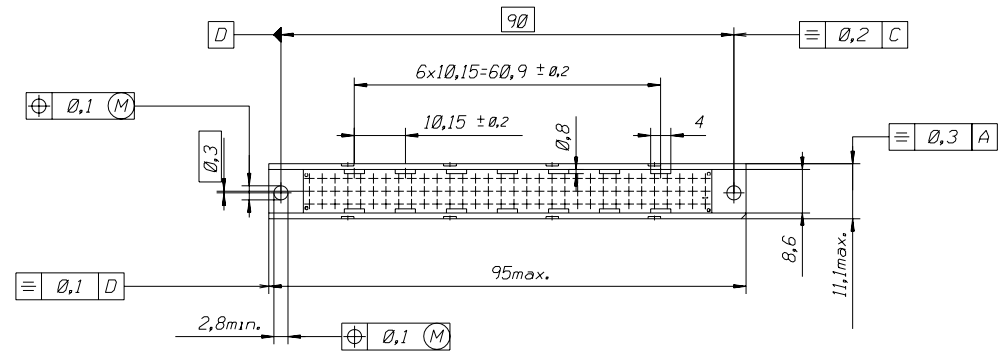
This document was generated on 05/17/2010

PLEASE CHECK WWW.MOLEX.COM FOR LATEST PART INFORMATION

PART NO.
DWG. NO.



section A-A
5:1



View X
5:1

View W
5:1

FIRST ANGLE PROJECTION		REVISE ONLY ON CAD SYSTEM		SH.	REV.
UNLESS OTHERWISE SPECIFIED TOLERANCES: ANGULAR ±2'		DRWG BY	SIGN	CAD/CAM PROJECT NAME	
INCH		Ca		THIS DRAWING CONTAINS INFORMATION THAT IS PROPRIETARY TO MOLEX INC. & SHOULD NOT BE USED WITHOUT WRITTEN PERMISSION	
METRIC		CHK'D BY	SIGN	TITLE	
3 PLACE ± .	±	KN		96 pos. Male connector DIN 41612 style R (C-Pin) Dimensions	
2 PLACE ± .	±	APP'D BY	SIGN	MOLEX EUROPE	
1 PLACE ± .	±			SHEET NO. DATE	
DRAFT WHERE APPLICABLE MUST REMAIN WITHIN DIMENSIONS		SCALE		1 OF 3 9/11/28	
DESIGN DIMENSION	<input checked="" type="checkbox"/> MM			PART NO.	
	<input type="checkbox"/> IN.			DWG NO.	
EQUIVALENT DIMENSION	<input type="checkbox"/> MM			see sh. no. 2 of 3	
	<input type="checkbox"/> IN.			610-6043-201	
IF TWO DIMENSIONS ARE SHOWN THE UPPER IS THE DESIGN DIMENSION, LOWER IS SECONDARY				SIZE	
				B	

