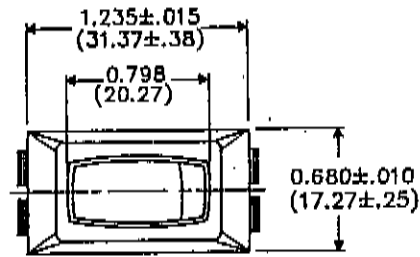
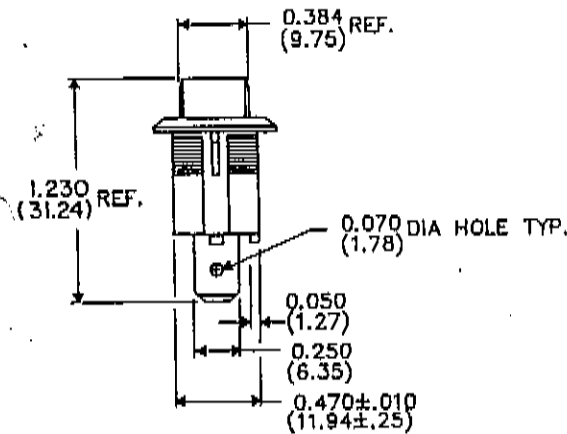
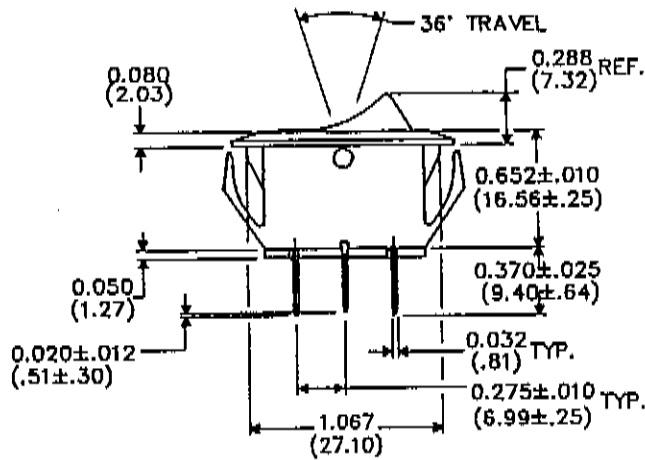
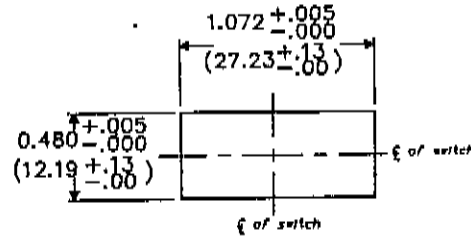


DIMENSIONS IN INCHES (MILLIMETERS)  
DO NOT SCALE DRAWING

GRS-2012-3000



PANEL PIERCING



B-FORM-9

REVISIONS	0
RELEASED	13-88
DATE	2-FEB 7

**CW INDUSTRIES**  
Southampton, Pa. 18966

TOLERANCES UNLESS OTHERWISE SPECIFIED

2 Place decimal .005	METRIC
3 Place decimal .0005	1 Place dec. .25 MM
Angles .1°	2 Place dec. .15 MM

Made for: CW  
 Drawn by: MAM 4-14-89  
 Checked by: [Signature] 2-6-90  
 Approval: [Signature] 2-6-90

Title: ASSEMBLY DRAWING  
 S.P.D.T. ROCKER SWITCH  
 NON-POLARIZED  
 1.072 x .480 PANEL

Division: SWITCH

GRS-2012-3000

MASTER