

PLEASE CHECK WWW.MOLEX.COM FOR LATEST PART INFORMATION

Part Number: **0367180003**
Status: **Active**
Overview: din_41612
Description: 2.54mm (.100") Pitch DIN 41612 Receptacle, Style R, Female, Right Angle, Through Hole, 0.6µm (24µ") Selective Gold (Au), PC Tail Length 3.00mm (.118"), 96 Circuits, Lead free

Documents:

[Drawing \(PDF\)](#) [RoHS Certificate of Compliance \(PDF\)](#)
[Product Specification PS-36509-001 \(PDF\)](#)

General

Product Family	Backplane Connectors
Series	<u>36718</u>
Application	Daughtercard
Comments	No Mounting Clip. With Sealing Strip
Component Type	PCB Receptacle
Overview	<u>din_41612</u>
Product Name	IEC 603-2/DIN 41612
Style	R

Physical

Circuits (Loaded)	96
Circuits (maximum)	96
Circuits Detail	1,2,3,...32; a+b+c
Color - Resin	Gray
Durability (mating cycles max)	400
First Mate / Last Break	No
Guide to Mating Part	No
Keying to Mating Part	Yes
Material - Metal	Phosphor Bronze
Material - Plating Mating	Gold
Material - Plating Termination	Tin
Material - Resin	Polyester
Number of Columns	32
Number of Pairs	Open Pin Field
Number of Rows	3
Orientation	Right Angle
PC Tail Length (in)	0.118 In
PC Tail Length (mm)	3.00 mm
PCB Locator	No
PCB Retention	Yes
PCB Thickness Recommended (in)	0.063 In
PCB Thickness Recommended (mm)	1.60 mm
Packaging Type	Carton
Pitch - Mating Interface (in)	0.100 In
Pitch - Mating Interface (mm)	2.54 mm
Pitch - Term. Interface (in)	0.100 In
Pitch - Term. Interface (mm)	2.54 mm
Plating min: Mating (µin)	24
Plating min: Mating (µm)	0.60
Polarized to PCB	Yes
Stackable	No
Surface Mount Compatible (SMC)	No
Temperature Range - Operating	-55°C to +125°C
Termination Interface: Style	Through Hole

EU RoHS
ELV and RoHS
Compliant
REACH SVHC
Not Reviewed
Halogen-Free
Status
Not Reviewed

China RoHS



Need more information on product environmental compliance?

Email productcompliance@molex.com
For a multiple part number RoHS Certificate of Compliance, [click here](#)

Please visit the [Contact Us](#) section for any non-product compliance questions.

Search Parts in this Series
36718Series

Electrical

Current - Maximum per Contact	1A
Data Rate	622.0 Mbps
Voltage - Maximum	1000V (RMS)

Material Info

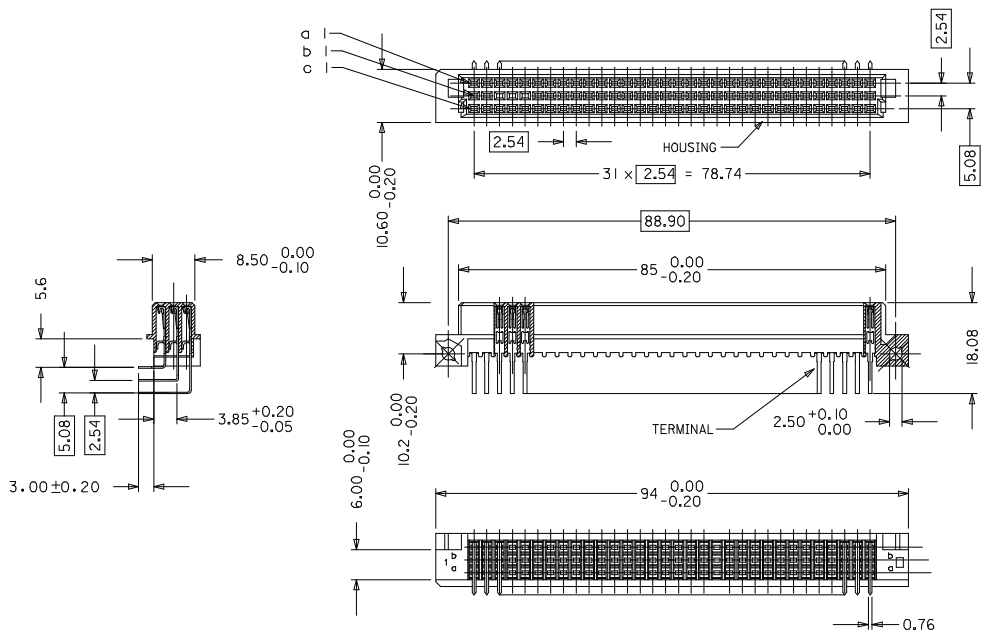
Old Part Number	MMB2500R960-101
-----------------	-----------------

Reference - Drawing Numbers

Product Specification	PS-36509-001
Sales Drawing	SD-36718-003

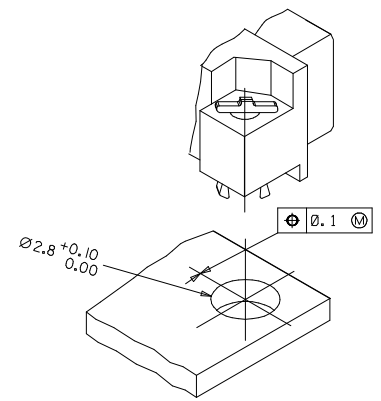
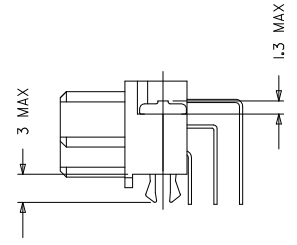
This document was generated on 05/13/2010

PLEASE CHECK WWW.MOLEX.COM FOR LATEST PART INFORMATION

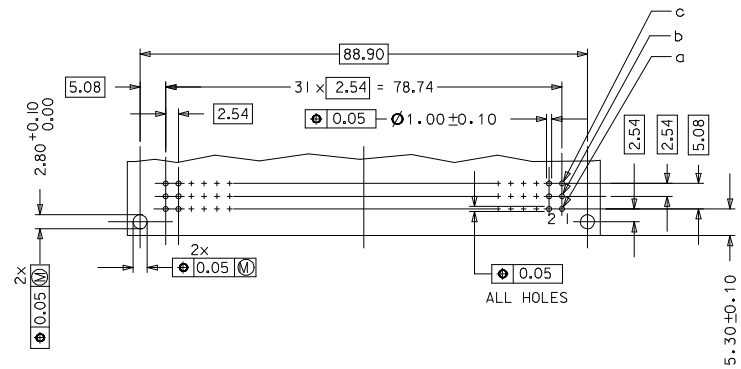


WITH MOUNTING CLIPS

8:1



RECOMMENDED PCB LAYOUT
COMPONENT SIDE



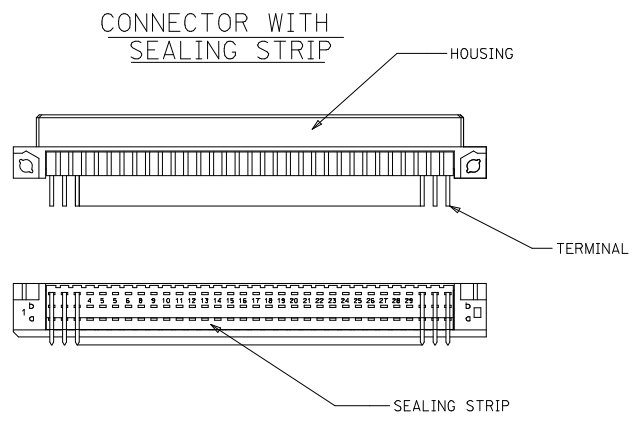
NOTES:

- 1) MATERIALS: THERMOPLASTIC POLYESTER, GLASS FILLED, UL94V-0. COLOUR: PEBBLE GREY RAL 7032
TERMINAL - PHOSPHOR BRONZE
MOUNTING CLIP: STEEL
- 2) FINISH: TERMINAL:-
CONTACT AREA
1. PERFORMANCE LEVEL 1: SELECTIVE GOLD (Au), THICKNESS = 1.1 MICROMETER OVER NICKEL, THICKNESS = 1.25 MICROMETER
2. PERFORMANCE LEVEL 2: SELECTIVE GOLD (Au), THICKNESS = 0.6 MICROMETER OVER NICKEL, THICKNESS = 1.25 MICROMETER
3. PERFORMANCE LEVEL 3: SELECTIVE GOLD (Au), THICKNESS = 0.3 MICROMETER OVER NICKEL, THICKNESS = 1.25 MICROMETER
TERMINATION AREA:
SELECTIVE TIN, THICKNESS = 2.5 MICROMETER OVER NICKEL, THICKNESS = 1.25 MICROMETER OVERALL
- 3) MOUNTING CLIP:-
TIN (Sn), THICKNESS = 5-10 MICROMETER, OVER NICKEL (Ni), THICKNESS = 2.5 MICROMETER
- 4) FOR NON MOUNTING CLIP OPTION, CONNECTOR TO BE SECURED WITH RIVETS: 2 TUBULAR RIVETS 2.5 x 0.3 ... DIN 7340
SCREWS: 2 CHEESEHEAD SCREWS M2.5 x ... DIN 84 AND 2 HEXAGONAL NUTS M2.5 DIN 934
- 5) MATERIAL NUMBER, BATCH CODE, UL AND CSA MARKING TO BE PRINTED ON THE CONNECTOR
- 6) CUT FACE OF TIP WITHOUT PLATING PERMITTED
- 7) PRODUCT SPECIFICATION : PS 36509-001

RoHS COMPLIANT

ENTER DESCRIPTION IEC NO: 2009-0569 DRW: HHR01 CHK: KPRASAD APPR: KPRASAD 2009/10/14 2009/10/22 2009/10/22	QUALITY SYMBOLS ▽=0 ▽=0 ▽=0	GENERAL TOLERANCES (UNLESS SPECIFIED)		DIMENSION STYLE MM ONLY	SCALE METRIC	DESIGN UNITS METRIC	THIRD ANGLE PROJECTION		
		4 PLACES ± 3 PLACES ±0.005 2 PLACES ±0.05 1 PLACE ±0.1	mm INCH	DRAWN BY SJ	DATE 2007/07/26	TITLE ASSY, DIN41612 R FEMALE A+B+C LOADED 96 POS CDOT PART	MOLEX INCORPORATED		
		ANGULAR ±2°	DRAFT WHERE APPLICABLE MUST REMAIN WITHIN DIMENSIONS	CHECKED BY CKS	DATE 2007/07/26	MATERIAL NO. SEE SHEET 2	DOCUMENT NO. SD-36718-003	SHEET NO. 1 OF 2	
		THIS DRAWING CONTAINS INFORMATION THAT IS PROPRIETARY TO MOLEX INCORPORATED AND SHOULD NOT BE USED WITHOUT WRITTEN PERMISSION							

20	19	18	17	16	15	14	13	12	11	10	9	8	7	6	5	4	3	2	1
MATERIAL No	MOLEX ENG No	CDOT PART NUMBER	PERF LEVEL	PLATING	CONTACT SEQUENCE/ROW	MOUNTING CLIP	SEALING STRIP												
36718-0003	MM-B2500-R960-101	MCC-EURVF001-302	2	Au+Ni	1,2,3....32 a+b+c	NO	YES												



ENTER DESCRIPTION EC NO: 2009-0569 DRAWN BY: DRWINHRO1 CHECKED BY: CHKDPRASAD APPROVED BY: APPR:KPRASAD DATE: 2009/10/14 DATE: 2009/10/22 DATE: 2009/10/22	QUALITY SYMBOLS	GENERAL TOLERANCES (UNLESS SPECIFIED) <table border="1"> <tr> <td></td><td>mm</td><td>INCH</td></tr> <tr> <td>4 PLACES</td><td>± 0.15</td><td>± 0.005</td></tr> <tr> <td>3 PLACES</td><td>± 0.05</td><td>± 0.002</td></tr> <tr> <td>2 PLACES</td><td>± 0.1</td><td>± 0.004</td></tr> <tr> <td>1 PLACE</td><td>± 0.15</td><td>± 0.006</td></tr> </table> ANGULAR ± 2° DRAFT WHERE APPLICABLE MUST REMAIN WITHIN DIMENSIONS		mm	INCH	4 PLACES	± 0.15	± 0.005	3 PLACES	± 0.05	± 0.002	2 PLACES	± 0.1	± 0.004	1 PLACE	± 0.15	± 0.006	DIMENSION STYLE	SCALE	DESIGN UNITS	THIRD ANGLE PROJECTION
			mm	INCH																	
	4 PLACES		± 0.15	± 0.005																	
	3 PLACES		± 0.05	± 0.002																	
2 PLACES	± 0.1	± 0.004																			
1 PLACE	± 0.15	± 0.006																			
=0 ∇=0	MM ONLY DRAWN BY: SJ DATE: 2007/07/26 CHECKED BY: CKS DATE: 2007/07/26 APPROVED BY: CKS DATE: 2007/07/26	TITLE ASSY,DIN 41612 R FEMALE A+B+C LOADED 96 POS CDOT PART																			
MATERIAL NO. SEE CHART	DOCUMENT NO. SD-36718-003	SHEET NO. 2 OF 2																			
THIS DRAWING CONTAINS INFORMATION THAT IS PROPRIETARY TO MOLEX INCORPORATED AND SHOULD NOT BE USED WITHOUT WRITTEN PERMISSION																					