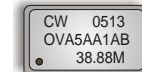
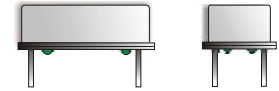


CRYSTAL CONTROLLED OSCILLATORS

14 PIN DIP 5.0V STRATUM 3 HCMOS OCVCXO



ABSOLUTE MAXIMUM RATINGS

TABLE 1.0

PARAMETER	UNITS	MINIMUM	NOMINAL	MAXIMUM	UNITS	NOTE
Storage Temperature		-40	-	85	°C	
Supply Voltage	(Vcc)	-0.5	-	7.0	Vdc	
Control Voltage	(Vc)	-0.5	-	7.0	Vdc	

OPERATING SPECIFICATIONS

TABLE 2.0

PARAMETER		MINIMUM	NOMINAL	MAXIMUM	UNITS	NOTE
Center Frequency	(Fo)	1.544	-	38.88	MHz	
Frequency Calibration		-1.5	-	1.5	ppm	1, 4
Frequency vs. change in Temperature		-0.25	-	0.25	ppm	2
Frequency vs. change in Supply Voltage		-0.05	-	0.05	ppm	3
Aging (Daily)		-30	-	30	ppb	4
Aging (10 Years)		-2.5	-	2.5	ppm	
Total Frequency Tolerance		-3.0	-	3.0	ppm	5
Operating Temperature Range		0	-	70	°C	
Supply Voltage	(Vcc)	4.75	5.00	5.25	Vdc	
Supply Current	(Icc)	-	-	300	mA	
Jitter (BW=10Hz to 20MHz)		-	-	3	ps rms	
Allan Variance (1 second)		-	5.00E-10	-		
SSB Phase Noise at 10Hz offset		-	-90	-	dBc/Hz	
SSB Phase Noise at 10KHz offset		-	-130	-	dBc/Hz	
Start Up Time: Oscillator		-	-	10	mS	
Warm Up Time		-	-	5	Minutes	6
TDEV @ 1.0 Sec.		-	-	1	nS	
TDEV @ 4.0 Sec.		-	-	2	nS	

INPUT CHARACTERISTICS

TABLE 3.0

PARAMETER		MINIMUM	NOMINAL	MAXIMUM	UNITS	NOTE
Control Voltage Range	(Vc)	0.5	2.0	4.1	Vdc	
Frequency at Vc=0.5 Vdc		-	-7	-5	ppm	7
Frequency at Vc=4.1 Vdc		5	7	-	ppm	7
Slope of Frequency Adjust		2.8	-	-	ppm/V	
Input Impedance		100k	-	-	Ohm	

HCMOS OUTPUT CHARACTERISTICS

TABLE 4.0

PARAMETER		MINIMUM	NOMINAL	MAXIMUM	UNITS	NOTE
LOAD		12	15	18	pf	
Voltage (High)	(Voh)	4.5	-	-	Vdc	
(Low)	(Vol)	-	-	0.4	Vdc	
Current (High)	(Ioh)	-4	-	-	mA	
(Low)	(Iol)	-	-	4	mA	
Duty Cycle at 50% of Vcc		45	50	55	%	
Rise / Fall Time 10% to 90%		-	-	6	nS	

PACKAGE CHARACTERISTICS

TABLE 5.0

Package	14 pin DIP, hermetically sealed, grounded case, welded package
---------	--

Notes:

- 1) Initial calibration @ 25°C, Vc=2.0V.
- 2) Frequency stability, 0 to 70°C, referenced to 25°C.
- 3) Frequency stability per 5% change in supply voltage.
- 4) At the time of shipment after 48 hours of operation.
- 5) Inclusive of operating temperature range, supply voltage change, load change, shock and vibration, 10 years aging, Vc=2.0V.
- 6) Measured @ 25°C, within 5 minutes, the unit will be within +/-0.1ppm of its reference frequency, measured after 30 minutes of continuous operation at a stable 25°C
- 7) Referenced to Fo @ 25°C, Positive Transfer Characteristic.

OVA5AA1AB

DESCRIPTION

The Connor-Winfield OVA5AA1AB is a hermetically sealed 14 Pin DIP, 5.0V Oven Controlled Voltage Controlled Crystal Oscillator (OCVCXO) HCMOS/TTL Compatible. The OVA5AA1AB is designed for a higher stability Stratum 3 application requiring low jitter and tight stability.

FEATURES

- 5.0V OPERATION
- LOW JITTER <3pS RMS
- FREQUENCY STABILITY: ±0.25ppm
- TEMPERATURE RANGE: 0 to 70°C
- FREQUENCY TOLERANCE OF ±3.0ppm OVER TEN YEARS
- HERMETICALLY SEALED 14 PIN DIP PACKAGE
- RoHS COMPLIANT / LEAD FREE

ORDERING INFORMATION

OVA5AA1AB - 38.88MHz

OCXO
SERIES

CENTER
FREQUENCY

Specifications subject to change without notice.

CRYSTAL CONTROLLED OSCILLATORS

ENVIRONMENTAL CHARACTERISTICS

Temperature Cycle: Per MIL-STD-883, Method 1010, Condition B. -55°C to 125°C, 20 cycles, 10 minute dwell, 1 minute transition.

Gross Leak Test: Per MIL-STD-202, Method 112, Condition D. No bubbles in flourinert (FC-43) at 125°C ±5°C for 20 seconds.

SOLDERING

Pin Solderability: Per MIL-STD-883, Method 200. 8 hour steam age prior to 254°C ±5°C Solder pot dip, 95% Coverage.

Resistance to Solder Heat: Per MIL-STD-202, Method 210, Condition C. Wave: Topside board-mount product, 260°C ±5°C for 20 Seconds.

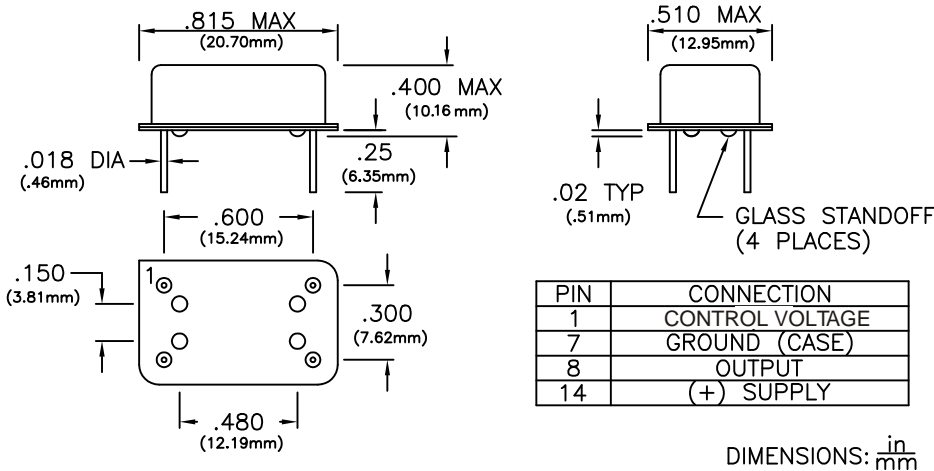
MECHANICAL CHARACTERISTICS

Vibration: Per MIL-STD-202, Method 204, Condition A. 10G's peak, 10Hz to 500Hz, 15minute cycles 12 times each perpendicular axis.

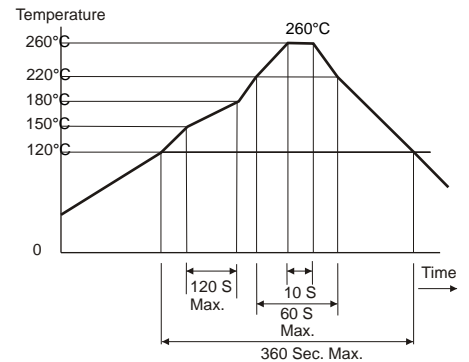
Shock: Per MIL-STD-202, Method 213, Condition D. 500G's, 1ms, half sine, 3 shocks per direction.

Moisture Resistance: Per MIL-STD-202, Method 106. 95% RH @ 65°C, 10 cycles 10°C to 65°C.

PACKAGE OUTLINE



SOLDER PROFILE



TEST DIAGRAM

