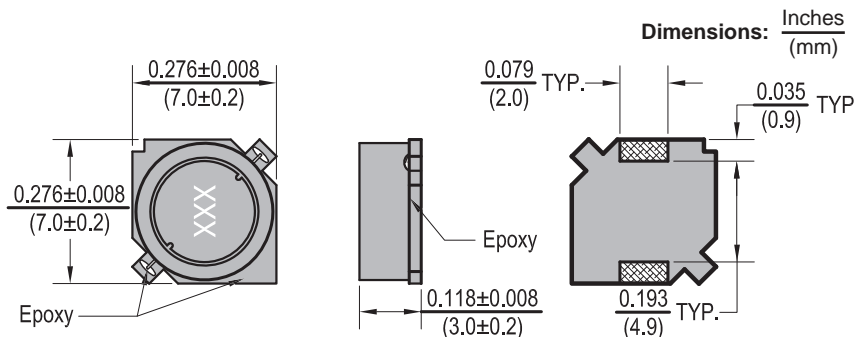


PCSLF0730 Power Chip Shielded Inductors



Features

- Shielded SMD Power Inductor
- Suitable for high current applications
- Low profile
- Low Power loss and High current

Electrical

Inductance Range: 3.3 μ H to 100 μ H

Tolerance: 20% over entire range

Operating Temp: -40°C ~ +85°C

IDC: Current at which inductance drops by 10% of initial value

Resistance to Soldering Heat

Pre-Heat 150°C, 1 minute.

Solder Composition: Sn/Ag3.0/Cu0.5

Solder Temp: 260°C ± 5°C for 10 sec. ± 1 sec.

Test Equipment

(L): HP 4192A LF Impedance Analyzer

(RDC): Chen Hwa 502BC

(IDC): HP4284A + HP42841A /
Chen Hwa 1061+301A

Physical

Packaging: 1000 pieces per 13 inch reel.

Marking: EIA Inductance Code

Allied Part Number	Inductance (μ H)	Tolerance (%)	Test Freq. KHz, 0.5v	RDC (Ω) ±20%	IDC (A)
PCSLF0730-3R3M-RC	3.3	20	1	.023	1.8
PCSLF0730-4R7M-RC	4.7	20	1	.036	1.6
PCSLF0730-6R8M-RC	6.8	20	1	.041	1.5
PCSLF0730-100M-RC	10	20	1	.053	1.3
PCSLF0730-150M-RC	15	20	1	.084	1.0
PCSLF0730-220M-RC	22	20	1	0.11	.86
PCSLF0730-330M-RC	33	20	1	0.16	.65
PCSLF0730-470M-RC	47	20	1	0.24	.57
PCSLF0730-680M-RC	68	20	1	0.31	.49
PCSLF0730-101M-RC	100	20	1	0.45	.35

All specifications subject to change without notice.