

PLEASE CHECK WWW.MOLEX.COM FOR LATEST PART INFORMATION

Part Number: [0483361002](#)
Status: **Active**
Overview: [slimline serial ata odd connectors](#)
Description: SLIMLINE SATA REC. REVERSE SMT WITH CLIP

Documents:

[3D Model](#) [Product Specification PS-48321-001 \(PDF\)](#)
[Drawing \(PDF\)](#) [RoHS Certificate of Compliance \(PDF\)](#)

Agency Certification

CSA LR19980
 UL E29179

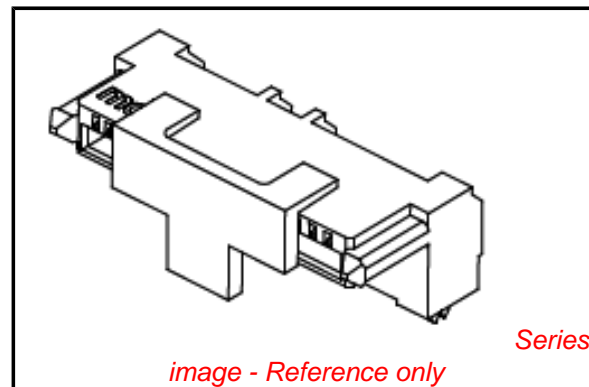
General

Product Family PCB Receptacles
 Series [48336](#)
 Application Board-to-Board
 Comments Reverse SMT Type, with Clip
 Overview [slimline serial ata odd connectors](#)
 Product Name Serial ATA, Slimline Serial ATA

Physical

Circuits (Loaded) 13
 Circuits (maximum) 13
 Color - Resin Black
 Durability (mating cycles max) 500
 Flammability 94V-0
 Glow-Wire Compliant No
 Guide to Mating Part Yes
 Keying to Mating Part Yes
 Lock to Mating Part No
 Material - Metal Copper Alloy
 Material - Plating Mating Gold
 Material - Plating Termination Tin
 Material - Resin High Temperature Thermoplastic
 Number of Rows 1
 Orientation Right Angle
 PCB Locator No
 PCB Retention Yes
 Packaging Type Embossed Tape on Reel
 Pitch - Mating Interface (in) 0.039 In, 0.050 In
 Pitch - Mating Interface (mm) 1.00 mm, 1.27 mm
 Pitch - Term. Interface (in) 0.039 In, 0.050 In
 Pitch - Term. Interface (mm) 1.00 mm, 1.27 mm
 Plating min: Mating (µin) 15
 Plating min: Mating (µm) 0.38
 Plating min: Termination (µin) 100
 Plating min: Termination (µm) 2.54
 Polarized to Mating Part Yes
 Polarized to PCB Yes
 Robotic Placement Pick and Place Cap
 Stackable No
 Temperature Range - Operating -40°C to +85°C
 Termination Interface: Style Surface Mount

Electrical



EU RoHS

ELV and RoHS Compliant
REACH SVHC Not Reviewed
Halogen-Free Status Not Reviewed

China RoHS



Need more information on product environmental compliance?

Email productcompliance@molex.com
 For a multiple part number RoHS Certificate of Compliance, [click here](#)

Please visit the [Contact Us](#) section for any non-product compliance questions.

Search Parts in this Series

[48336Series](#)

Mates With

[473001xxx Slimline Serial ATA Plugs](#)

Current - Maximum per Contact	1A
Grounding to PCB	Yes
Voltage - Maximum	15V (RMS)

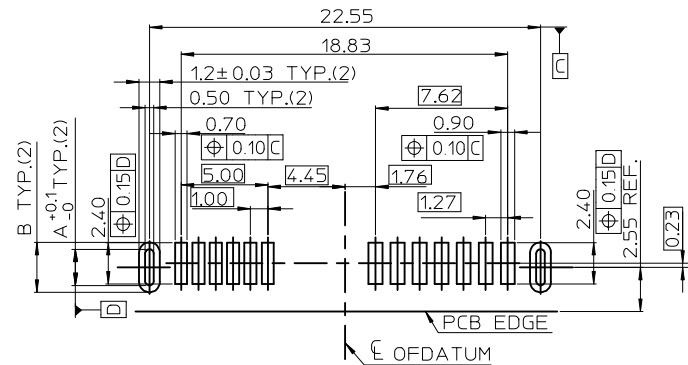
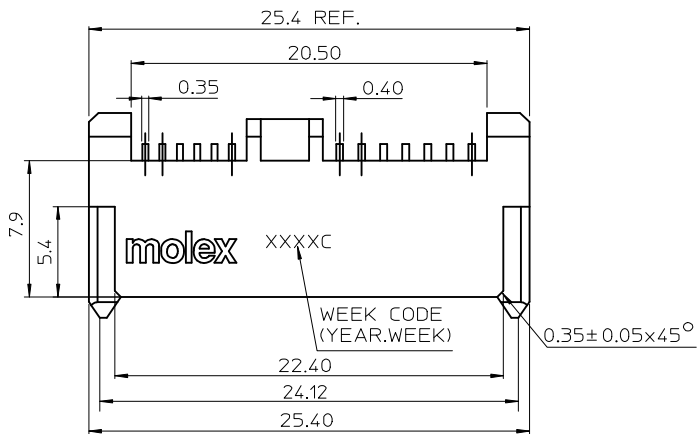
Material Info

Reference - Drawing Numbers

Packaging Specification	PK-48336-001
Product Specification	PS-48321-001
Sales Drawing	SD-48336-001

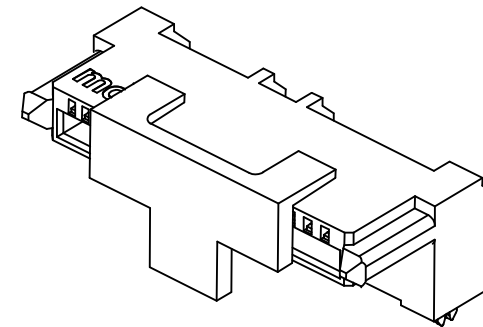
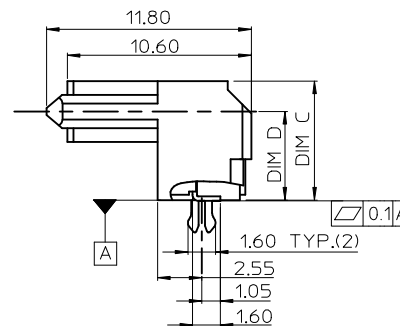
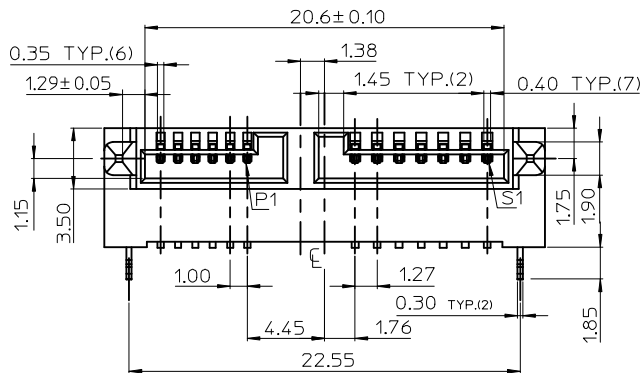
This document was generated on 05/31/2010

PLEASE CHECK WWW.MOLEX.COM FOR LATEST PART INFORMATION



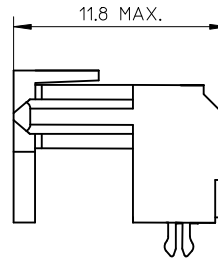
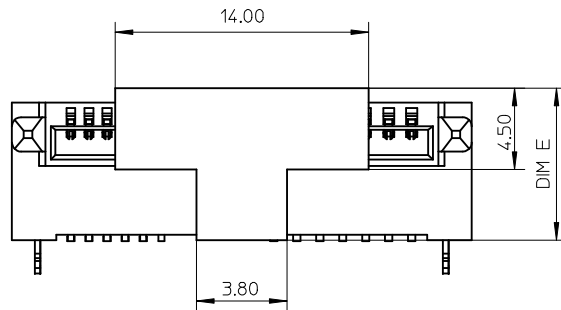
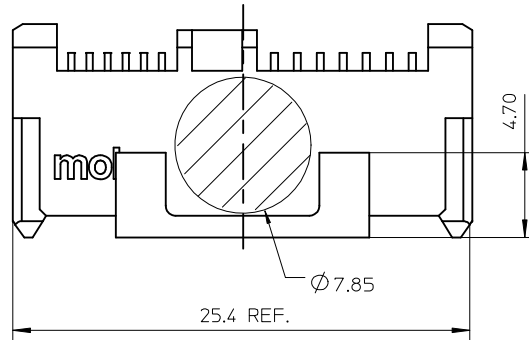
CLIP FUNCTION AVAIABLE		CLIP FUNCTION UNAVAILABLE	
DIM A	DIM B	DIM A	DIM B
1.40	2.10	1.75	2.45

RECOMMENDED PC BOARD LAYOUT
TOLERANCE: ± 0.05 mm(TOP VIEW)



RELEASE	EC NO: SH2009-0357	DRW: F YANG05	CHK: D J MZHANG02	APP: H HWANG	DESCRIPTION	QUALITY SYMBOLS		GENERAL TOLERANCES (UNLESS SPECIFIED)		DIMENSION STYLE		SCALE	DESIGN UNITS	THIRD ANGLE PROJECTION
						mm	INCH	MM ONLY	SCALE	METRIC	PROJECTION			
						4 PLACES	\pm ---	\pm ---	DRAWN BY	DATE	TITLE			
						3 PLACES	± 0.10	\pm ---	LINDA	2008/7/25	SLIMLINE SATA RECEPTACLE			
						2 PLACES	± 0.15	\pm ---	CHECKED BY	DATE	REVERSE SMT TYPE			
						1 PLACE	± 0.25	\pm ---	DMZHANG02	2008/7/31	WITH CLIP			
						ANGULAR $\pm 3^\circ$			APPROVED BY	DATE	MOLEX MOLEX INCORPORATED			
						DRAFT WHERE APPLICABLE MUST REMAIN WITHIN DIMENSIONS			HWWANG	2008/7/31	DOCUMENT NO. SD-48336-001		SHEET NO.	
									SEE TABLE				1 OF 2	
									THIS DRAWING CONTAINS INFORMATION THAT IS PROPRIETARY TO MOLEX INCORPORATED AND SHOULD NOT BE USED WITHOUT WRITTEN PERMISSION					

P/N	PLATING OPTIONS	DIM C	DIM D	DIM E	WITHSTANDING MFG TEST
48336-1001	GOLD FLASH	7.10	5.35	7.90	NO
48336-1002	15 MICROINCH				NO
48336-1003	30 MICROINCH				YES
48336-2001	GOLD FLASH	7.60	5.85	8.40	NO
48336-2002	15 MICROINCH				NO
48336-2003	30 MICROINCH				YES



- NOTES:
- MATERIAL:
HOUSING & CAP: LIQUID CRYSTAL POLYMER, GLASS FIBER FILLED, UL94V-0, COLOR: BLACK.
TERMINAL: COPPER ALLOY.
CLIP: COPPER ALLOY.
 - PLATING:
TERMINAL:
CONTACT AREA: SEE TABLE
SOLDER TAIL: MATTE TIN, THICKNESS=100 MICROINCH MIN/2.54 MICROMETER MIN.
UNDER PLATE: NICKEL (Ni), THICKNESS=50 MICROINCH MIN/1.27 MICROMETER MIN.
CLIP: TIN(Sn), THICKNESS=100 MICROINCH MIN/2.54 MICROMETER MIN.
 - PICK & PLACE VACUUM AREA.
 - RECOMMENDED PCB THICKNESS: 1.20 ± 0.05mm
 - PRODUCT SPECIFICATION REFER TO PS-48321-001
 - TEST SUMMARY:
48336-1003 REFER TO TS-48336-103
48336-2003 REFER TO TS-48336-203
 - PACKAGING SPECIFICATION REFER TO PK-48336-001
 - LEAD FREE & RoHS COMPLIANT PRODUCT.

RELEASE EC NO: SH2009-0357 DRW: NYANG05 CHKD: NYANG05 APPR: HWANG	2008/12/12 2008/12/12 2008/12/16	DESCRIPTION REV	QUALITY SYMBOLS	GENERAL TOLERANCES (UNLESS SPECIFIED)	DIMENSION STYLE	SCALE	DESIGN UNITS	THIRD ANGLE PROJECTION
			$\nabla=0$ $\sphericalcap=0$	mm INCH	MM ONLY	1:1	METRIC	
			4 PLACES ± --- ± --- 3 PLACES ± 0.10 ± --- 2 PLACES ± 0.15 ± --- 1 PLACE ± 0.25 ± --- ANGULAR ± 3°	DRAWN BY DATE LINDA 2008/7/25 CHECKED BY DATE DMZHANG02 2008/7/31 APPROVED BY DATE HWANG 2008/7/31	TITLE SLIMLINE SATA RECEPTACLE REVERSE SMT TYPE WITH CLIP			
			DRAFT WHERE APPLICABLE MUST REMAIN WITHIN DIMENSIONS	MATERIAL NO. SEE TABLE SIZE A3	MOLEX INCORPORATED DOCUMENT NO. SD-48336-001 SHEET NO. 2 OF 2			