

**PLEASE CHECK WWW.MOLEX.COM FOR LATEST PART INFORMATION**

**Part Number:** **0194031130**  
**Status:** **Planned for Obsolescence**  
**Overview:** selfcontained power connector scpc  
**Description:** Terminal for Self Contained Header for 12-14 AWG Wire, Metal Strip Carrier

**Documents:**

[Drawing \(PDF\)](#) [RoHS Certificate of Compliance \(PDF\)](#)

**Agency Certification**

UL E152602

**General**

Product Family Crimp Terminals  
 Series 19403  
 Comments UL E152602  
 Crimp Quality Equipment Yes  
 Overview selfcontained power connector scpc  
 Product Literature Order No 987650-0531  
 Product Name SCPC

**Physical**

Durability (mating cycles max) 25  
 Gender Male  
 Material - Metal High Copper  
 Material - Plating Mating Tin  
 Material - Plating Termination Tin  
 Packaging Type Reel  
 Plating min: Mating (µin) 40  
 Plating min: Mating (µm) 1.00  
 Plating min: Termination (µin) 40  
 Plating min: Termination (µm) 1.00  
 Termination Interface: Style Crimp or Compression  
 Wire Insulation Diameter 3.48mm-4.11mm (.137-.162")  
 Wire Size AWG 12, 14  
 Wire Size mm<sup>2</sup> 2.08 TO 3.31

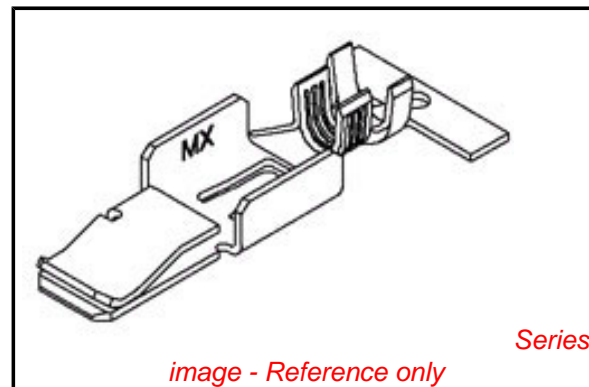
**Electrical**

Current - Maximum per Contact 20A

**Material Info**

**Reference - Drawing Numbers**

Sales Drawing SD-19403-117



**EU RoHS**

**ELV and RoHS  
Compliant**  
**REACH SVHC  
Contains SVHC: No  
Halogen-Free  
Status**

**China RoHS**



**Not Reviewed**

**Need more information on product  
environmental compliance?**

Email [productcompliance@molex.com](mailto:productcompliance@molex.com)  
 For a multiple part number RoHS Certificate of  
 Compliance, [click here](#)

Please visit the [Contact Us](#) section for any  
 non-product compliance questions.

**Search Parts in this Series**

19403Series

**Mates With**

19403 Header

**Use With**

19403-1120 Housing

**Application Tooling | FAQ**

*Tooling specifications and manuals are  
 found by selecting the products below.  
 Crimp Height Specifications are then  
 contained in the Application Tooling  
 Specification document.*

**Global**

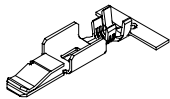
**Description**

Mini-Mac™  
 Applicator

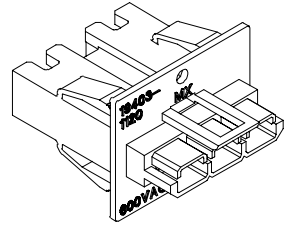
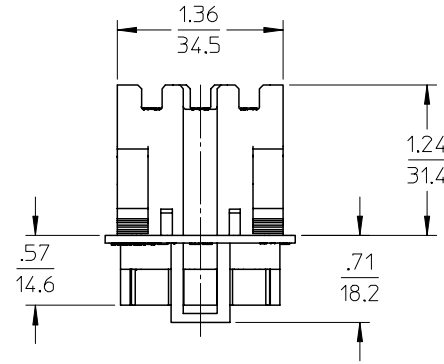
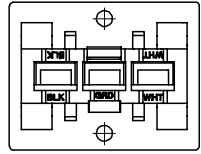
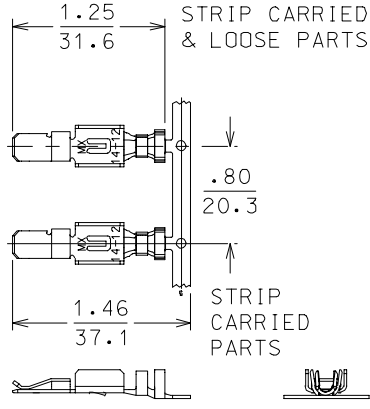
**Product #**

0638875000

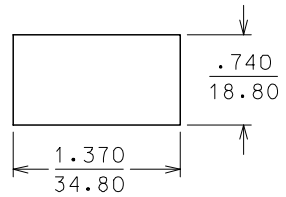
MATERIAL NUMBER	DESCRIPTION
194031120	SC HEADER
194031130	TERMINAL, STRIP CARRIED
194031131	TERMINAL, LOOSE PIECE



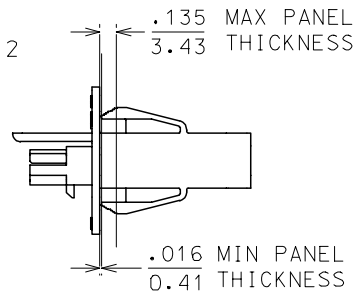
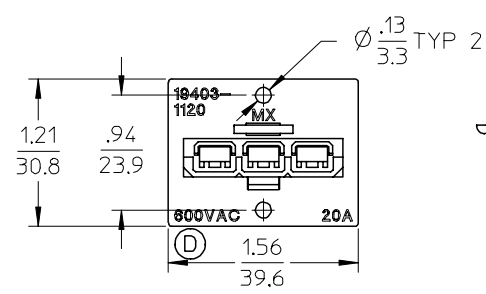
ISOMETRIC VIEW  
TERMINAL, STRIP CARRIED



ISOMETRIC VIEW  
SC HEADER



RECOMMENDED PANEL CUTOUT



SALES DRAWING

NOTES:  
1) TERMINAL MATERIAL: HIGH COPPER ALLOY  
PLATING: TIN  
2) HOUSING MATERIAL: POLYESTER UL94-5VA

600VAC WAS 300VAC EC NO: ETC2005-0125 DRAWN: DMYRICK 2005/01/25 CHKD: RDEROSS 2005/01/26 APPR: RDEROSS 2005/01/26	DESCRIPTION	QUALITY SYMBOLS	GENERAL TOLERANCES (UNLESS SPECIFIED)		DIMENSION STYLE	SCALE	DESIGN UNITS	THIRD ANGLE PROJECTION
		▽=0	mm	INCH	IN/MM	1:1	INCH	
		▽=0	4 PLACES ± --- ± ---	3 PLACES ± --- ± .005	DRAWN BY DATE	TITLE		
			2 PLACES ± 0.13 ± .01	1 PLACE ± 0.3 ± ---	DYOUNG 00/01/18		CUSTOMER DRAWING	
REV	DESCRIPTION	ANGULAR ± 1/2°	DRAFT WHERE APPLICABLE MUST REMAIN WITHIN DIMENSIONS		CHECKED BY DATE	MOLEX INCORPORATED		SHEET NO.
D					RDEROSS 00/01/18	SD-19403-117		1 OF 1
					MATERIAL NO.	DOCUMENT NO.		
					SEE CHART			
					THIS DRAWING CONTAINS INFORMATION THAT IS PROPRIETARY TO MOLEX INCORPORATED AND SHOULD NOT BE USED WITHOUT WRITTEN PERMISSION			