

**PLEASE CHECK WWW.MOLEX.COM FOR LATEST PART INFORMATION**

**Part Number:** [0351650100](#)  
**Status:** **Active**  
**Description:** 6.35mm (.250") Tab Safe Lock Flag Housing, 1 Circuit, 1 Circuits

**Documents:**

[Drawing \(PDF\)](#) [RoHS Certificate of Compliance \(PDF\)](#)  
[Product Specification PS-35165-001 \(PDF\)](#)

**Agency Certification**

CSA LR19980  
 UL E29179

**General**

Product Family Crimp Housings  
 Series [35165](#)  
 Product Name N/A

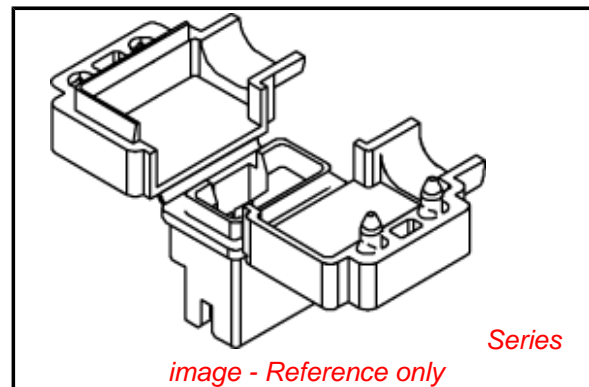
**Physical**

Circuits (maximum) 1  
 Color - Resin Natural  
 Flammability 94V-2  
 Gender Female  
 Glow-Wire Compliant No  
 Material - Resin Nylon  
 Number of Rows 1  
 Packaging Type Bag  
 Panel Mount No  
 Pitch - Mating Interface (in) 0.000 In  
 Pitch - Mating Interface (mm) 0.00 mm  
 Stackable No  
 Temperature Range - Operating -40°C to +105°C

**Material Info**

**Reference - Drawing Numbers**

Product Specification PS-35165-001  
 Sales Drawing SD-35165-0100



*image - Reference only*

**EU RoHS**

**ELV and RoHS  
 Compliant**  
**REACH SVHC**  
 Not Reviewed  
**Halogen-Free  
 Status**

**China RoHS**



**Need more information on product  
 environmental compliance?**

Email [productcompliance@molex.com](mailto:productcompliance@molex.com)  
 For a multiple part number RoHS Certificate of  
 Compliance, [click here](#)

Please visit the [Contact Us](#) section for any  
 non-product compliance questions.

**Search Parts in this Series**  
[35165Series](#)

**Use With**  
[35725-4810](#)

DO NOT SCALE DRAWING  
DIMENSION IN METRIC

DWG. NO.  
SD 35165-0100

SIMILAR ITEM

PROJECT NO.

8 7 6 5 4 3 2 1

F

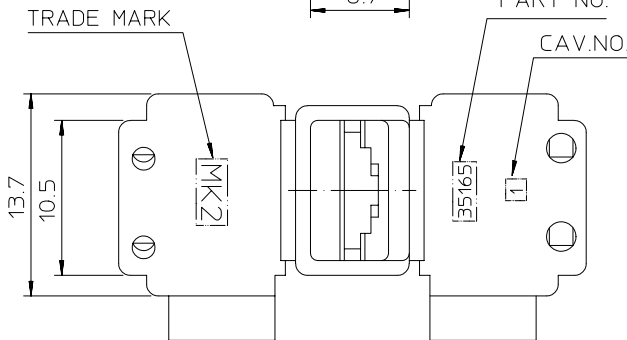
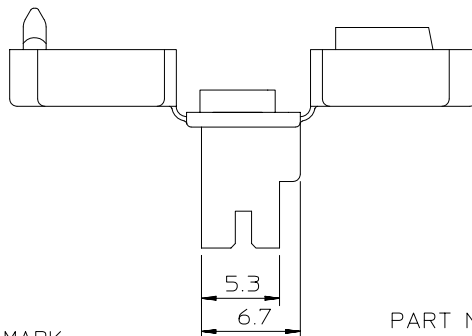
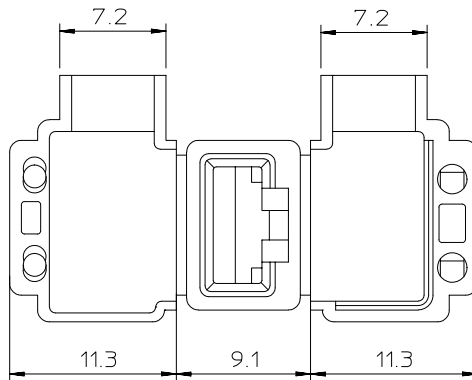
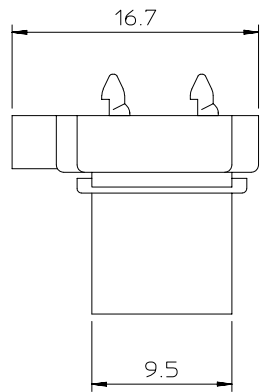
E

D

C

B

A



MATERIAL NO.	ENG NO.	COLOR
351650100	35165-0100	NATURAL
351650102	35165-0102	RED

NOTES

1. MATERIAL: NYLON66 UL94V-2
2. APPLICABLE TERMINAL: 35725-4810

EC NO: KOR2000-0088 DRWN: C.B.CHIN 001106 CHK: APPR:	MAJOR CRITICAL	GENERAL TOLERANCES: (UNLESS SPECIFIED)		SCALE 3:1	DESIGN UNITS <input checked="" type="checkbox"/> mm <input type="checkbox"/> INCH	THIRD ANGLE PROJECTION	DIMENSIONS: <input type="checkbox"/> mm <input type="checkbox"/> INCH <input checked="" type="checkbox"/> mm ONLY		SHT REV		
		4 PLACES ±0.	3 PLACES ±0.	2 PLACES ±0.	1 PLACE ±0.3	DRAWN BY & DATE W.Y.YANG 95.125		TITLE: 250 SAFE LOCK FLAG HOUSING		REVISE ON CAD ONLY	
B	DESCRIPTION REV	DRAFT WHERE APPLICABLE MUST REMAIN WITHIN DIMENSIONS		APPROVED BY & DATE C.W.LEE 95.125		MOLEX INCORPORATED KOREA		CAD FILENAME SD 35165-0100.MI	MATERIAL NO. SEE TABLE	DRAWING NO. SD 35165-0100	SHEET NO 1of1
		THIS DRAWING CONTAINS INFORMATION THAT IS PROPRIETARY TO MOLEX INCORPORATED AND SHOULD NOT BE USED WITHOUT WRITTEN PERMISSION.						SIZE B			

8 7 6 5 4 3 2

MX-A3