

PLEASE CHECK WWW.MOLEX.COM FOR LATEST PART INFORMATION

Part Number: [0552160601](#)
Status: **Active**
Description: 0.80mm (.031") Pitch IDT Cover Strain Relief, 60 Circuits

Documents:

Drawing (PDF)	Product Specification PS-54373-003 (PDF)
Product Specification PS-54373-002 (PDF)	RoHS Certificate of Compliance (PDF)

General

Product Family	Accessories
Series	55216
Component Type	Strain Relief
Product Name	N/A

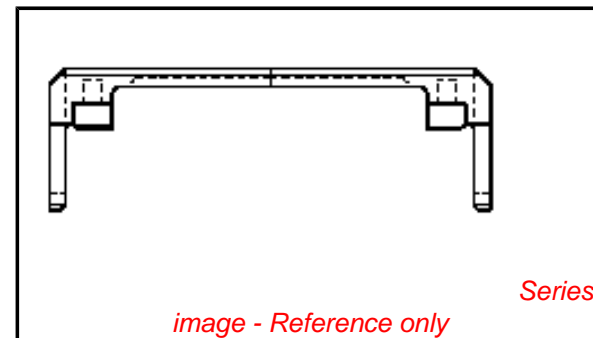
Physical

Circuits (Loaded)	60
Packaging Type	Bag
Temperature Range - Operating	-20°C to +60°C

Material Info

Reference - Drawing Numbers

Application Specification	AS-55218-003
Product Specification	PS-54373-002, PS-54373-003, RPS-54373-008, RPS-54373-009
Sales Drawing	SD-55218-002, SD-55218-004



EU RoHS

**ELV and RoHS
Compliant**

REACH SVHC

Not Reviewed

Halogen-Free

Status

Not Reviewed

China RoHS



**Need more information on product
environmental compliance?**

Email productcompliance@molex.com
 For a multiple part number RoHS Certificate of
 Compliance, [click here](#)

Please visit the [Contact Us](#) section for any
 non-product compliance questions.

Search Parts in this Series

55216Series

Use With

55215 Upper Housing, 55217 IDT Plug

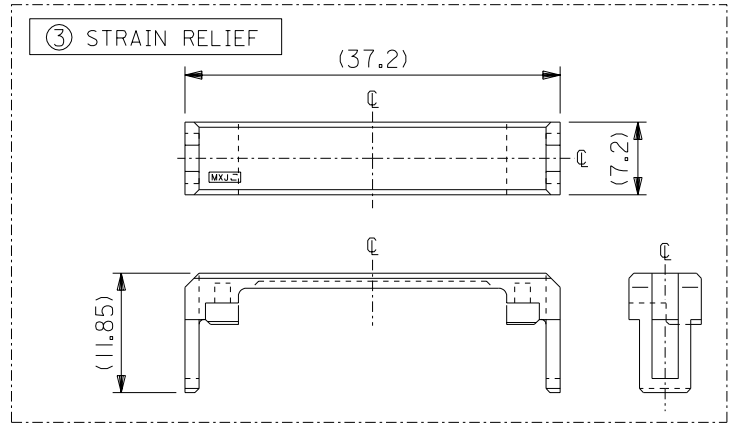
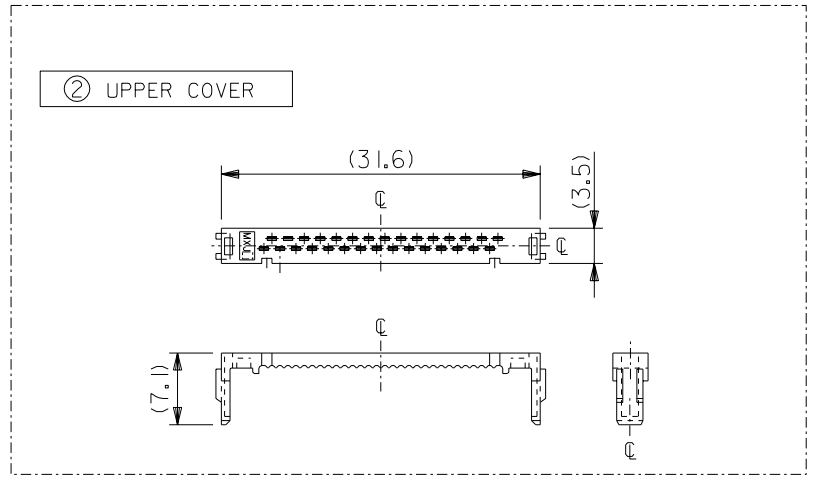
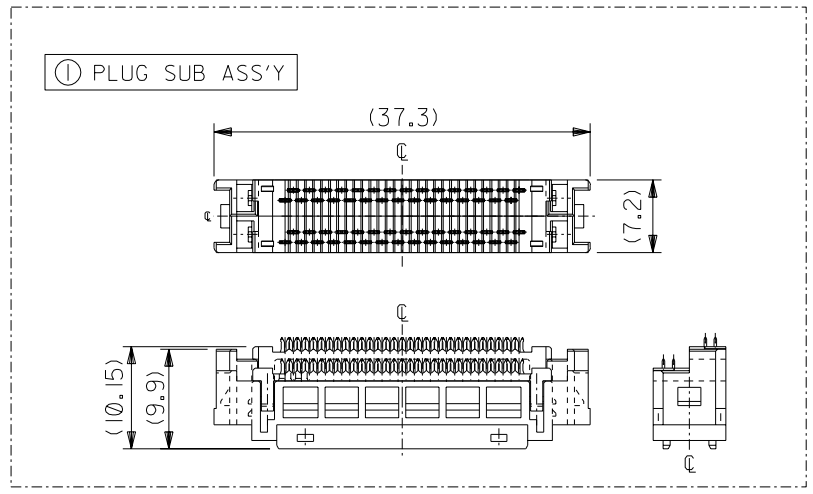
DWG. NO. SD-55218-002

NOTES

1. PARTS LIST:

NO.	PART NAME	ENG. NO.	QUAN.	MATERIAL	COLOR
①	PLUG SUB ASS'Y	55217-0601	1	PLUG HS'G: PBT ,G.F.35% ,UL94V-0	BLACK
				LOWER COVER: PBT ,G.F.35% ,UL94V-0	BLACK
				TERMINAL: PHOSPHOR BRONZE PLATING SPEC.: Au0.2umMIN.,Sn-Pb1-4um,Ni2-3.5um.	—#—
①	PLUG SUB ASS'Y (LEAD FREE)	55217-0606	1	PLUG HS'G: PBT ,G.F.35% ,UL94V-0	BLACK
				LOWER COVER: PBT ,G.F.35% ,UL94V-0	BLACK
				TERMINAL: PHOSPHOR BRONZE PLATING SPEC.: Au0.2umMIN.,Sn-Cu2-4um,Ni1.5-3um.	—#—
②	UPPER COVER	55215-0601	2	PPS ,G.F.40% ,UL94V-0	BLACK
③	STRAIN RELIEF	55216-0601	1	46NYLON ,G.F.30% ,UL94V-0	BLACK

2. 適用電線:
日立電線 (株) 製 フラットエース・スダレタイプ (ピッチ:0.8mm) ケーブル
HITACHI DENSEN NO. :UL20028-ST P=0.8
[UL20028-ST 30x30AWG (7/0.102) P=0.8]
MOLEX NO. :58605-0600
3. 適用圧接治工具:
日本モレックス (株) 製指定治工具
4. 適用リセプタクル: 0.8mm ピッチ ストレート リセプタクル
MOLEX NO. :54373-0601,54373-0606(LEAD FREE)



無鉛
LEAD FREE

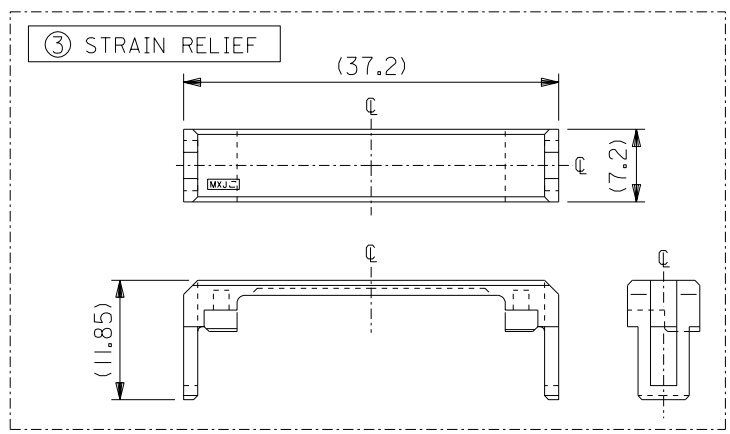
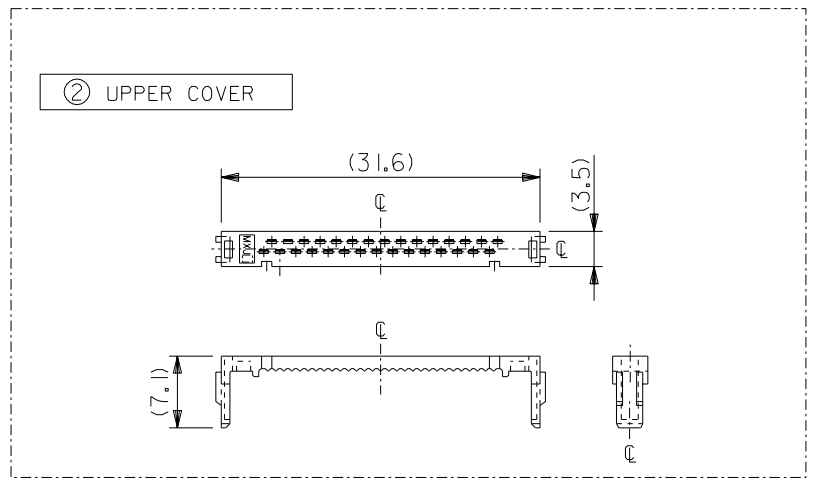
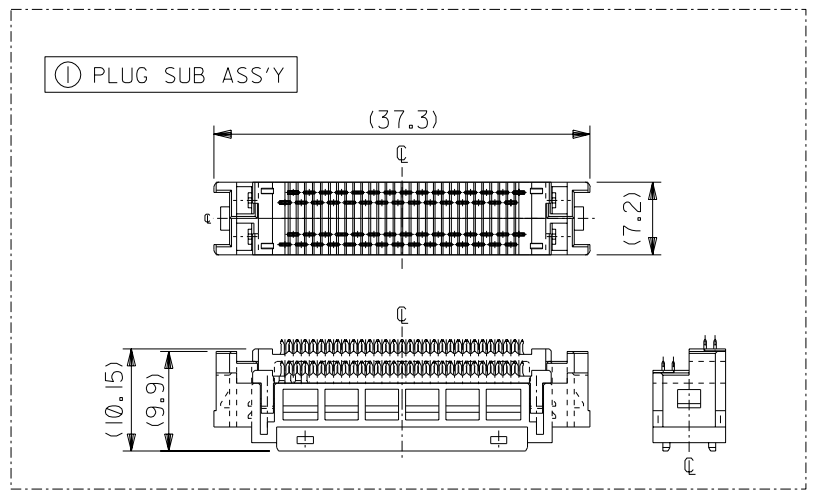
鉛フリー (LEAD FREE)	55218-0606	55218-0601
→	55218-0601	55218-060*

MATERIAL NO.	MODEL NO.
DIMENSIONS:	SHT REV
<input type="checkbox"/> mm <input type="checkbox"/> INCH	<input type="checkbox"/> mm ONLY
	REVISE ON CAD ONLY

EC NO. DRWN: CHK: APPR:	EC NO. DRWN: CHK: APPR:	REVISED 03/07/15 EC NO. J2004-0143 DRWN: M.ISOGAYA CHK: S.ICHIKAWA APPR: YO.IITO	REVISED 09/16 EC NO. JD90414/98 DRWN: T.ODA CHK: S.ICHIKAWA APPR: H.IKESUGI	RELEASED EC NO. JD81489/98/04/29 DRWN: S.ICHIKAWA CHK: Y.IITO APPR: H.IKESUGI	MATERIAL 材料 SEE NOTES	GENERAL TOLERANCES: (UNLESS SPECIFIED) 一般公差	SCALE 2-1	DESIGN UNITS <input checked="" type="checkbox"/> mm <input type="checkbox"/> INCH	THIRD ANGLE PROJECTION	TITLE: 0.8 PITCH WIRE TO BOARD CONNECTOR
					FINISH 仕上げ —#—	10 UNDER 未満 ±0.2	DRAWN BY & DATE S. Ichikawa '98/04/29			
					WIRE RANGE 適用層被範囲 SEE NOTES	10 OVER 30 UNDER 未満 ±0.25	CHECKED BY & DATE Y.Ota			
					INS. RANGE 被覆外径 SEE NOTES	30 OVER 以上 ±0.3	APPROVED BY & DATE H. Ichikawa			
						ANGLE 角度 ±3°	CAD FILENAME 55218002.S01			
THIS DRAWING CONTAINS INFORMATION THAT IS PROPRIETARY TO MOLEX INCORPORATED AND SHOULD NOT BE USED WITHOUT WRITTEN PERMISSION.										SIZE B

DO NOT SCALE DRAWING

DWG. NO. SD-55218-004



NOTES

1. PARTS LIST:

NO.	PART NAME	ENG. NO.	QUAN.	MATERIAL	COLOR
①	PLUG SUB ASS'Y	55217-0671	1	PLUG HS'G: PBT , G.F.35% , UL94V-0	BLACK
				LOWER COVER: PBT , G.F.35% , UL94V-0	BLACK
				TERMINAL: PHOSPHOR BRONZE PLATING SPEC.: AU 0.2 MICROMETER MIN. TIN 1.0 MICROMETER MIN. NICKEL 2.0 MICROMETER MIN.	—#—
②	UPPER COVER	55215-0601	2	PPS , G.F.40% , UL94V-0	BLACK
③	STRAIN RELIEF	55216-0601	1	46NYLON , G.F.30% , UL94V-0	BLACK

2. 適用電線:
日立電線(株)製 フラットエース・スタレタイプ(ピッチ:0.8mm)ケーブル
HITACHI DENSEN NO. :UL20028-ST P=0.8
[UL20028-ST 30x30AWG (7/0.102) P=0.8]
MOLEX NO. :58605-0600
3. 適用圧接治工具:
日本モレックス(株)製指定治工具
4. 適用リセブタクル: 0.8mm ピッチ ストレート リセブタクル
MOLEX NO. :54373-0601,54373-0606(LEAD FREE)
5. 本製品は55218-0601 の鉛フリー品である。
THIS PRODUCT IS LEAD FREE OF 55218-0601

55218-0671	55218-***71
MATERIAL NO.	MODEL NO.
DIMENSIONS:	
<input type="checkbox"/> mm <input type="checkbox"/> INCH	<input type="checkbox"/> SHT <input type="checkbox"/> REV
<input checked="" type="checkbox"/> mm ONLY	REVISE ON CAD ONLY

DO NOT SCALE DRAWING

EC NO. DRWN: CHK: APPR:	EC NO. DRWN: CHK: APPR:	EC NO. DRWN: CHK: APPR:	EC NO. DRWN: CHK: APPR:	EC NO. DRWN: CHK: APPR:

RELEASED 04/3/19
EC NO. J2004-3220
DRWN: H. SHIMABUKURO
CHK: K. TOJO
APPR: M. SASAO

MATERIAL 材料	SEE NOTES
FINISH 仕上げ	—#—
WIRE RANGE 適用電線範囲	SEE NOTES
INS. RANGE 被覆外径	SEE NOTES

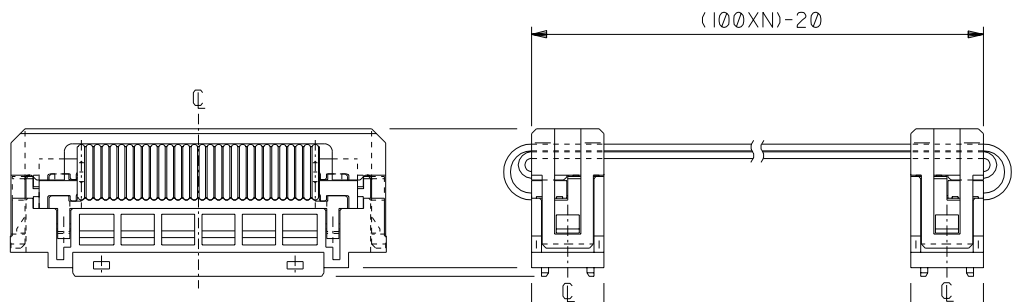
GENERAL TOLERANCES: (UNLESS SPECIFIED) 一般公差	SCALE —#	DESIGN UNITS <input checked="" type="checkbox"/> mm <input type="checkbox"/> INCH	THIRD ANGLE PROJECTION <input checked="" type="checkbox"/>
10 UNDER 未満	±0.2	DRAWN BY & DATE: 04/3/19 H. SHIMABUKURO	TITLE: -LEAD FREE-
10 OVER 以上 30 UNDER 未満	±0.25	CHECKED BY & DATE: K. TOJO '04/3/19	0.8 PITCH WIRE TO BOARD CONNECTOR
30 OVER 以上	±0.3	APPROVED BY & DATE: M. SASAO '04/3/19	MOLEX MOLEX INCORPORATED
ANGLE 角度	±3°	CAD FILENAME 55218004.S01	MATERIAL NO. SEE CHART

DRAWING NO. SD-55218-004	SHEET NO. 1 OF 2
THIS DRAWING CONTAINS INFORMATION THAT IS PROPRIETARY TO MOLEX INCORPORATED AND SHOULD NOT BE USED WITHOUT WRITTEN PERMISSION.	
SIZE B	EN-02J(097) MXJ-54

SD-55218-004.S01

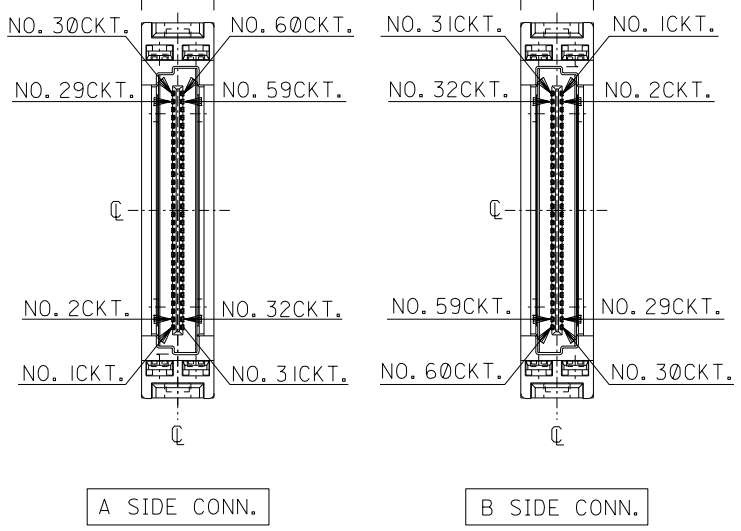
DWG. NO. SD-55218-004

8 7 6 5 4 3 2 1



PIN ASSIGN

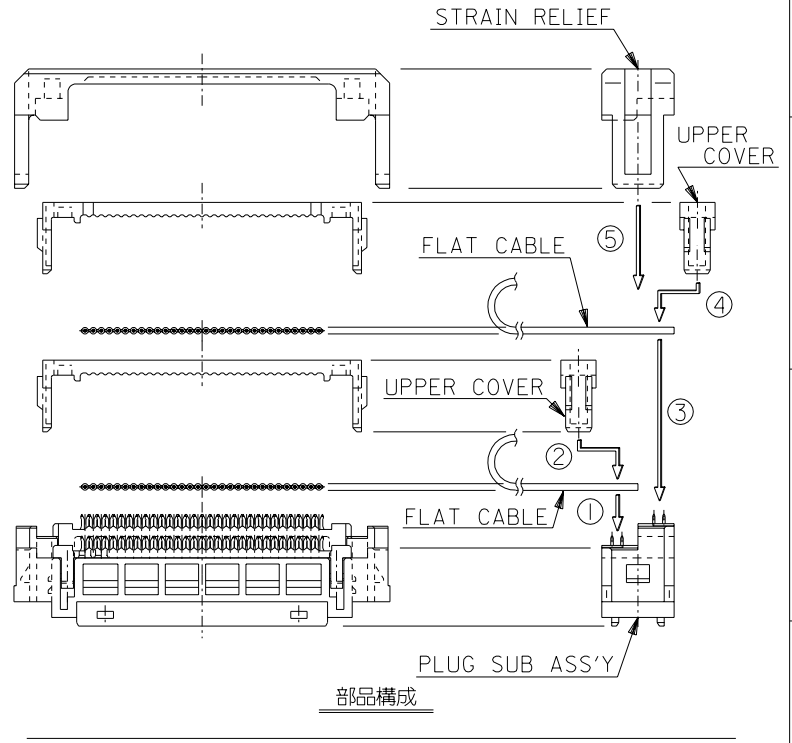
A SIDE CONN.	B SIDE CONN.	A SIDE CONN.	B SIDE CONN.
1	30	31	60
2	29	32	59
3	28	33	58
4	27	34	57
5	26	35	56
6	25	36	55
7	24	37	54
8	23	38	53
9	22	39	52
10	21	40	51
11	20	41	50
12	19	42	49
13	18	43	48
14	17	44	47
15	16	45	46
16	15	46	45
17	14	47	44
18	13	48	43
19	12	49	42
20	11	50	41
21	10	51	40
22	9	52	39
23	8	53	38
24	7	54	37
25	6	55	36
26	5	56	35
27	4	57	34
28	3	58	33
29	2	59	32
30	1	60	31



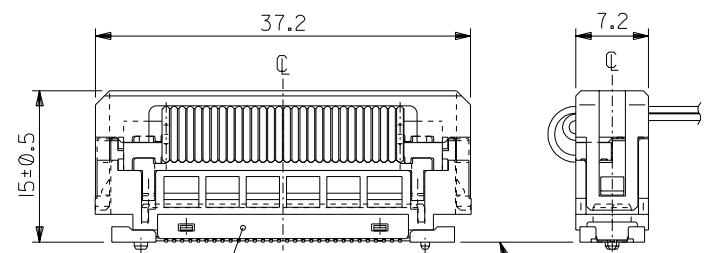
A SIDE CONN.

B SIDE CONN.

接続図



部品構成



REC. HS'G ASS'Y
54373-060*

嵌合図

プリント基板面

DO NOT SCALE DRAWING

EC NO.	DRWN:	CHK:	APPR:	EC NO.	DRWN:	CHK:	APPR:	EC NO.	DRWN:	CHK:	APPR:	EC NO.	DRWN:	CHK:	APPR:	EC NO.	DRWN:	CHK:	APPR:	REV

55218-***71		MODEL NO.	DIMENSIONS:		SHT	REV
SCALE	DESIGN UNITS	THIRD ANGLE PROJECTION	<input type="checkbox"/> mm	<input type="checkbox"/> INCH	<input checked="" type="checkbox"/> mm ONLY	REVISE ON CAD ONLY
DRAWN BY & DATE H.SHIMABUKURO 04/3/19		TITLE: -LEAD FREE- 0.8 PITCH WIRE TO BOARD CONNECTOR				
CHECKED BY & DATE K.TOJO 04/3/19		MOLEX MOLEX INCORPORATED				
APPROVED BY & DATE M.SASAO 04/3/19		MATERIAL NO.	DRAWING NO.	SHEET NO.		
CAD FILENAME 55218004.S02		SEE CHART	SD-55218-004	2		
THIS DRAWING CONTAINS INFORMATION THAT IS PROPRIETARY TO MOLEX INCORPORATED AND SHOULD NOT BE USED WITHOUT WRITTEN PERMISSION.						
					SIZE B	

SD-55218-004.S02