

PLEASE CHECK WWW.MOLEX.COM FOR LATEST PART INFORMATION

Part Number: **0751880005**
Status: **Active**
Overview: vhdm
Description: 2.00mm (.079") Pitch VHDM™ Lite-Series Board-to-Board Daughtercard Receptacle Assembly, Right Angle, 8-Row, Custom 75191

Documents:

[Drawing \(PDF\)](#) [RoHS Certificate of Compliance \(PDF\)](#)

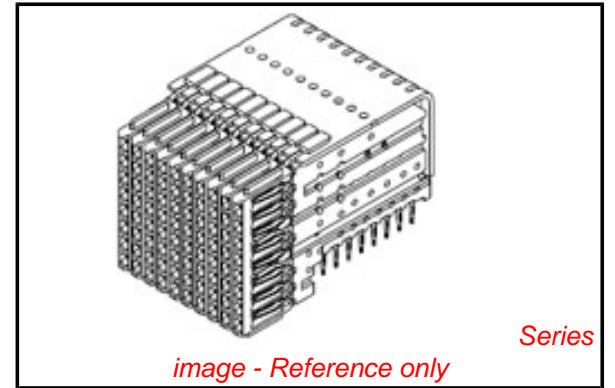
General

Product Family	Backplane Connectors
Series	75188
Application	Daughtercard
Application Tooling Documents	Tooling Manual
Comments	Daughtercard Receptacle Module, Power,3-Blade, Daughtercard Module, Guidance, Daughtercard Receptacle Wafers, Signal
Component Type	PCB Receptacle
Overview	vhdm
Product Name	VHDM®
Style	N/A

Physical

Circuits (Loaded)	80
Circuits (maximum)	80
Color - Resin	Black
Durability (mating cycles max)	200
First Mate / Last Break	No
Guide to Mating Part	No
Keying to Mating Part	None
Material - Metal	Brass, High Performance Alloy (HPA)
Material - Plating Mating	Gold
Material - Plating Termination	Tin-Lead
Material - Resin	High Temperature Thermoplastic
Number of Columns	N/A
Number of Pairs	Open Pin Field
Number of Rows	8
Orientation	Right Angle
PCB Retention	None
PCB Thickness Recommended (in)	0.070 In
PCB Thickness Recommended (mm)	1.80 mm
Packaging Type	Tube
Pitch - Mating Interface (in)	0.079 In
Pitch - Mating Interface (mm)	2.00 mm
Plating min: Mating (µin)	30
Plating min: Mating (µm)	0.76
Plating min: Termination (µin)	30
Plating min: Termination (µm)	0.75
Polarized to PCB	Yes
Stackable	Yes
Surface Mount Compatible (SMC)	Yes
Temperature Range - Operating	-55°C to +105°C
Termination Interface: Style	Through Hole - Compliant Pin

Electrical



EU RoHS

RoHS Compliant by Exemption

REACH SVHC

Contains SVHC: No

Halogen-Free

Status

Halogen-Free

China RoHS



Pb

Need more information on product environmental compliance?

Email productcompliance@molex.com
 For a multiple part number RoHS Certificate of Compliance, [click here](#)

Please visit the [Contact Us](#) section for any non-product compliance questions.

Search Parts in this Series

75188Series

Mates With

74029 VHDM® Board-to-Board Backplane Receptacle Power Module. 75197 VHDM® Lite Board-to-Board Backplane Header. 75198 VHDM® Lite Backplane Header. 75199 VHDM® Lite Backplane Header

Use With

Backplane Modules

Current - Maximum per Contact	1A
Data Rate	2.5 Gbps
Real Signals (per 25mm)	100
Voltage - Maximum	120V AC (RMS)/DC

Material Info

Reference - Drawing Numbers

Sales Drawing	SD-75188-001
---------------	--------------

VHDM and Very High Density Metric are trademarks of Amphenol Corporation

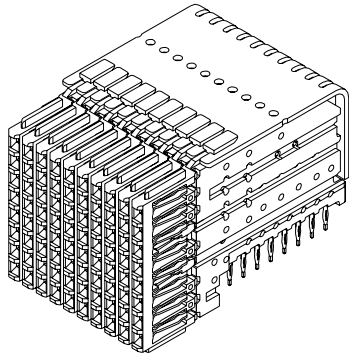
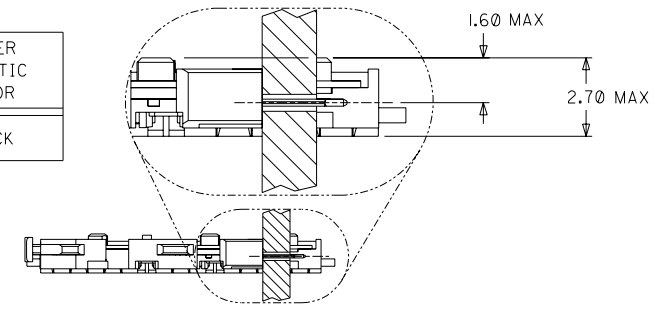
This document was generated on 05/28/2010

PLEASE CHECK WWW.MOLEX.COM FOR LATEST PART INFORMATION

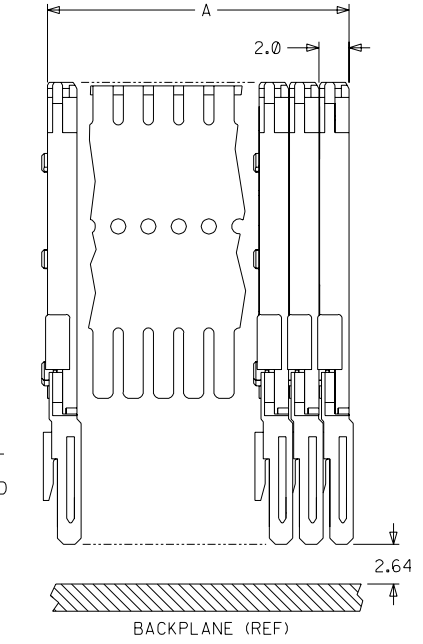
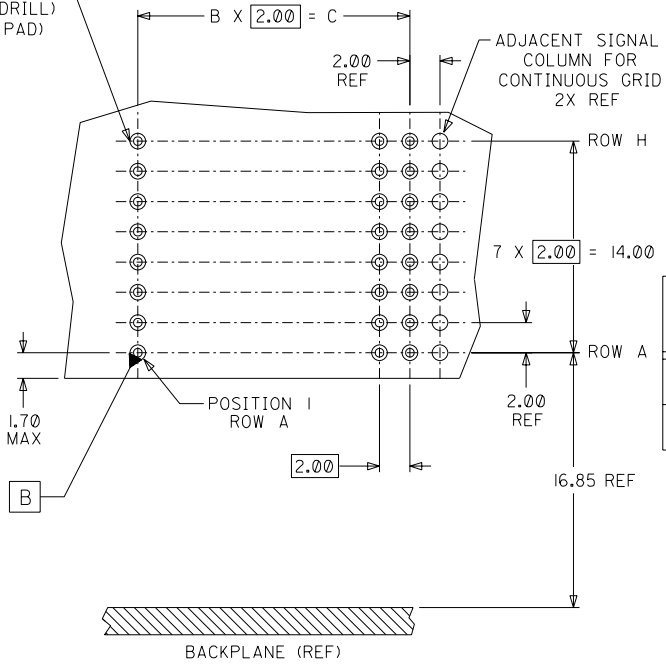
NOTES: (UNLESS OTHERWISE SPECIFIED)

- MATERIALS: HOUSING - LIQUID CRYSTAL POLYMER (LCP), GLASS-FILLED, UL94V-0.
SIGNAL TERMINALS - HIGH PERFORMANCE COPPER ALLOY.
WAFER CARRIER - BRASS.
- FINISH: SIGNAL TERMINALS - SELECTIVE GOLD (Au) IN CONTACT AREA,
SELECTIVE TIN/LEAD (Sn/Pb) ON PCB TAILS
NICKEL (Ni) OVERALL.
WAFER CARRIER - NICKEL (Ni) OVERALL.
- REFER TO MOLEX PRODUCT SPECIFICATION PS-74031-999 FOR PERFORMANCE SPECIFICATIONS.
- SIGNAL WAFERS SUPPLIED ON STAINLESS STEEL STIFFENER IN GROUPS OF 10 OR 25 ONLY.

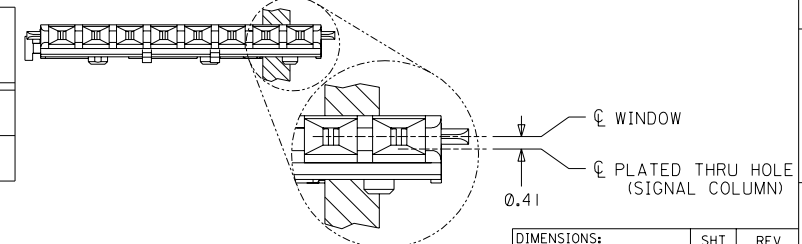
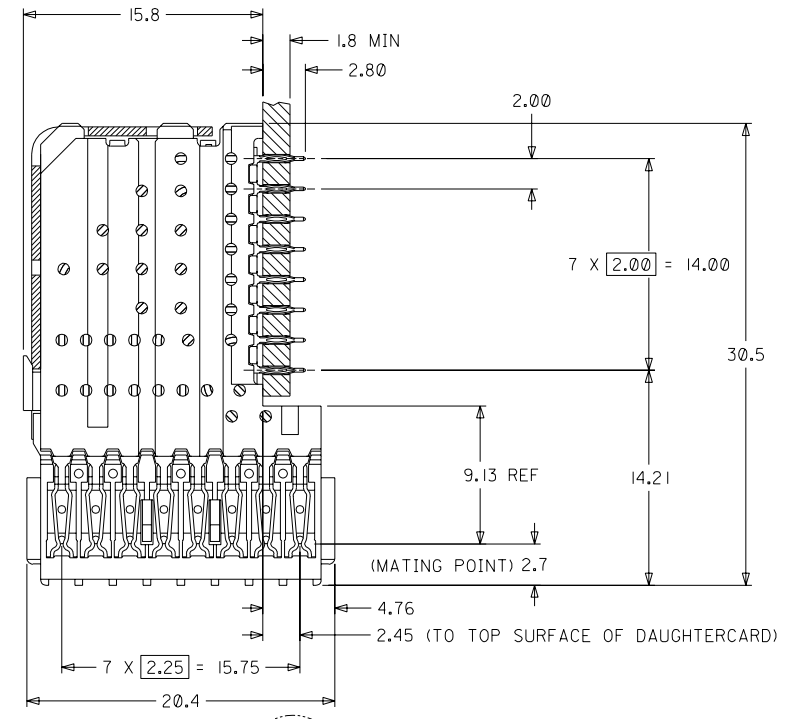
MATERIAL NUMBER	MINIMUM GOLD PLATING	WAFER PLASTIC COLOR
75188-0005	0.00076mm (30uIN)	BLACK



⊕ Ø0.10 B
Ø0.56±0.05
PTH
(Ø0.66 DRILL)
(Ø1.00 PAD)



NUMBER OF SIGNAL WAFERS	A	B	C
10	20.0	9	18.00
25	50.0	24	48.00



DAUGHTERCARD HOLE PATTERN (CONNECTOR SIDE)

CHANGED TO "LITE" EC NO. UCP2004-1289 DRWN: VARVARA 04/01/15 CHK: JLAURX 04/01/15 APPR: SREED 04/01/15	QUALITY SYMBOLS MAJOR $\nabla = 0$ CRITICAL $\nabla C = 0$	GENERAL TOLERANCES: (UNLESS SPECIFIED) mm INCH 4 PLACES $\pm 0. -- \pm . --$ 3 PLACES $\pm 0. -- \pm . --$ 2 PLACES $\pm 0. 13 \pm . --$ 1 PLACE $\pm 0. 25 \pm . --$	SCALE 4 : 1 DESIGN UNITS \square mm \square INCH DRAWN BY & DATE BANDURA 02/12/02 CHECKED BY & DATE LAURX 02/12/03 APPROVED BY & DATE BIXLER 02/12/04	DIMENSIONS: \square mm \square INCH \square mm ONLY THIRD ANGLE PROJECTION \square mm ONLY \square INCH ONLY	SHT REV REVISE ON CAD ONLY
	DESCRIPTION A I REV	ANGLUAR: $\pm 2^\circ$	DRAFT WHERE APPLICABLE MUST REMAIN WITHIN DIMENSIONS	CAD FILENAME	TITLE: VHDM LITE 8 ROW DAUGHTERCARD SIGNAL WAFER SALES DRAWING MOLEX MOLEX INCORPORATED