

PLEASE CHECK WWW.MOLEX.COM FOR LATEST PART INFORMATION

Part Number: [0917176001](#)
Status: **Active**
Overview: [rast_25_connector_system](#)
Description: 5.00mm (.197") Pitch Appli-Mate RAST 2.5 IDT Housing, Direct/Indirect, Female, 8 Circuits, Fully Coded

Documents:

[3D Model](#) [Product Specification PS-99020-0040 \(PDF\)](#)
[Drawing \(PDF\)](#) [RoHS Certificate of Compliance \(PDF\)](#)

Agency Certification

CSA LR19980
 UL E29179

General

Product Family IDT and Solder Connectors
 Series [91717](#)
 Crimp Quality Equipment Yes
 Overview [rast_25_connector_system](#)
 Product Name RAST 2.5
 Use With RAST standard interface

Physical

Circuits (Loaded) 8
 Circuits (maximum) 8
 Color - Resin Natural (White)
 Durability (mating cycles max) 10
 Flammability 94V-0
 Gender Female
 Glow-Wire Compliant No
 Lock to Mating Part None
 Material - Metal Phosphor Bronze
 Material - Plating Mating Tin
 Material - Plating Termination Tin
 Material - Resin Nylon
 Number of Rows 1
 Packaging Type Tray
 Panel Mount No
 Pitch - Mating Interface (in) 0.197 In
 Pitch - Mating Interface (mm) 5.00 mm
 Pitch - Term. Interface (in) 0.197 In
 Pitch - Term. Interface (mm) 5.00 mm
 Plating min: Mating (µin) 40
 Plating min: Mating (µm) 1.00
 Plating min: Termination (µin) 40
 Plating min: Termination (µm) 1.00
 Polarized to Mating Part Yes
 Stackable No
 Temperature Range - Operating -20C TO +120C
 Termination Interface: Style IDT or Pierce
 Wire Size AWG 22, 24

Electrical

Current - Maximum per Contact 2A
 Voltage - Maximum 250V AC

Material Info

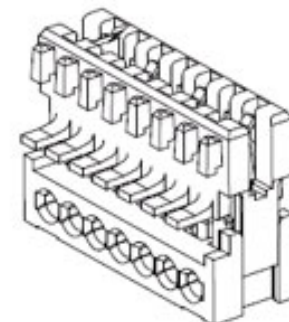


image - Reference only

Series

EU RoHS

ELV and RoHS Compliant
REACH SVHC Contains SVHC: No
Halogen-Free Status
Not Reviewed

China RoHS



Need more information on product environmental compliance?

Email productcompliance@molex.com
 For a multiple part number RoHS Certificate of Compliance, [click here](#)

Please visit the [Contact Us](#) section for any non-product compliance questions.

Search Parts in this Series

[91717Series](#)

Mates With

Appli-Mate RAST 2.5 Header [93071](#)

Application Tooling | FAQ

Tooling specifications and manuals are found by selecting the products below. Crimp Height Specifications are then contained in the Application Tooling Specification document.

Global

| Description | Product # |
|---|----------------------------|
| RAST 2.5 Semi-Automatic Terminator Machine For Appli-Mate™ Connectors | 0623006200 |
| Manual Arbor Press, RAST 2.5 | 0622017400 |

Reference - Drawing Numbers

Application Specification

Product Specification

Sales Drawing

AS-99033-0008

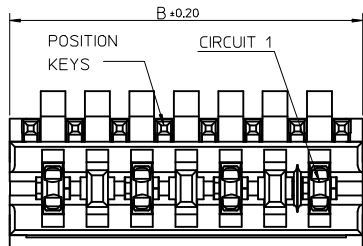
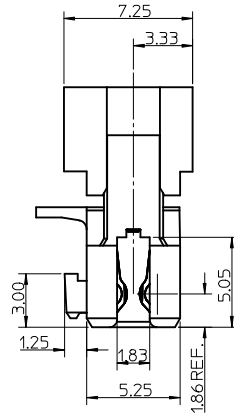
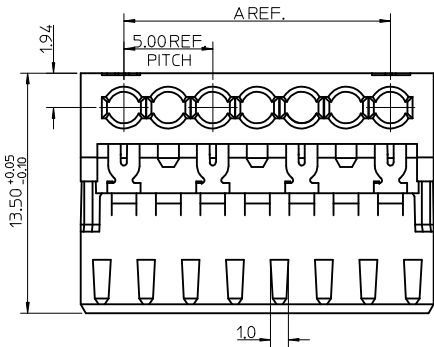
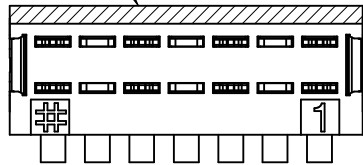
PS-99020-0040

SD-91717-001

This document was generated on 05/25/2010

PLEASE CHECK WWW.MOLEX.COM FOR LATEST PART INFORMATION

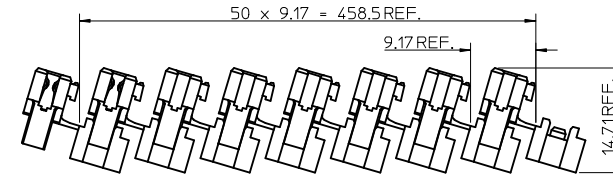
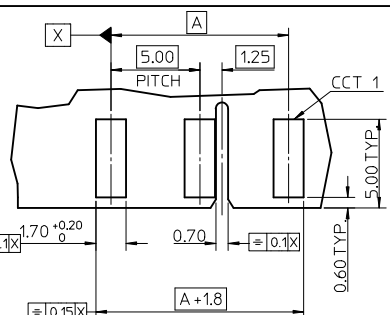
POSITION OF COLOUR STRIPE (see note 3)



- NOTES:
- REFER TO PRODUCT SPECIFICATION: PS-99020-0040.
 - MATERIAL: HOUSING - NYLON PA6
UL94-V0, COLOUR: NATURAL (WHITE).
TERMINAL: PHOSPHOR BRONZE 0.30 REF. THICK - PLATING HOT TIN DIP.
 - COLOUR STRIPE IS OPTIONAL, AVAILABLE IN THE FOLLOWING COLOURS: BLACK, RED, GREEN, BLUE
 - REFER TO PACKAGING SPEC (PK-90871-001).
 - REFER TO APPLICATION SPEC (AS-99033-0008)

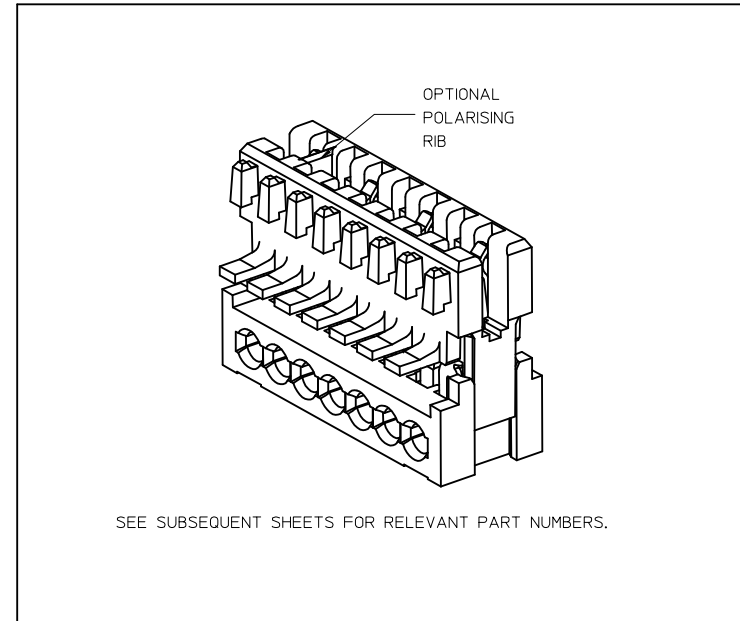
- RECOMMENDED PCB LAYOUT FOR 3CCT (5MM PITCH) CONNECTOR (OPTIONAL POSITIONAL RIB SLOT ALSO SHOWN)

- RECOMMENDED PCB THICKNESS 1.5±0.14mm



SHIPPING ARRANGEMENT SCALE 2:1

| CCT | 'A' | 'B' |
|-----|------|--------|
| 2 | 5.0 | 9.875 |
| 3 | 10.0 | 14.875 |
| 4 | 15.0 | 19.875 |
| 5 | 20.0 | 24.875 |
| 6 | 25.0 | 29.875 |
| 7 | 30.0 | 34.875 |
| 8 | 35.0 | 39.875 |
| 9 | 40.0 | 44.875 |
| 10 | 45.0 | 49.875 |



SEE SUBSEQUENT SHEETS FOR RELEVANT PART NUMBERS.

| | | | | | | | | |
|---|-------------------------------|--|---|-------------------------------------|--------------------|---|------------------------|---|
| ADDED P/N'S EC NO: E2009-0568 DRWN: TIOURISH 2009/05/12 CHKD: BRUTTLE 2009/05/12 APPR: BMAGUIRE 2009/05/12 | QUALITY SYMBOLS ▽=0 ▽=0 | GENERAL TOLERANCES (UNLESS SPECIFIED) | | DIMENSION STYLE MM ONLY | | SCALE 5:1 | DESIGN UNITS METRIC | THIRD ANGLE PROJECTION |
| | | 4 PLACES ± --- ± --- 3 PLACES ± --- ± --- 2 PLACES ± 0.10 ± --- 1 PLACE ± 0.2 ± --- | mm INCH ± --- ± --- ± 0.10 ± --- ± 0.2 ± --- | DRAWN BY NMCNAMAR | DATE 2004/02/12 | TITLE APPLI-MATE 2.5 FEMALE 5MM TERMINAL PITCH (MATL: NYLON PA6) | | MOLEX INCORPORATED |
| DRAFT WHERE APPLICABLE MUST REMAIN WITHIN DIMENSIONS | | SEE SHEET 2&3 | | MATERIAL NO. BMAGUIRE 2004/02/16 | | DOCUMENT NO. SD-91717-001 | | THIS DRAWING CONTAINS INFORMATION THAT IS PROPRIETARY TO MOLEX INCORPORATED AND SHOULD NOT BE USED WITHOUT WRITTEN PERMISSION |

| 2 CIRCUIT | | | | |
|----------------|-----------------------|----------------------------|---------------------|---------------|
| MOLEX PART NO. | REMOVED POSITION KEYS | CONFIGURATION (SEE NOTE 1) | POLARIZING RIB | COLOUR STRIPE |
| 91717-0002 | NONE | | NONE | NONE |
| 91717-0003 | a | | NONE | NONE |
| 91717-0004 | b | | NONE | NONE |
| 91717-0005 | c | | NONE | NONE |
| 91717-0006 | d | | NONE | NONE |
| 91717-0007 | b d | | NONE | NONE |
| 91717-0008 | a c | | NONE | NONE |
| 91717-0009 | a d | | NONE | NONE |
| 91717-0010 | a b | | NONE | NONE |
| 91717-0011 | b c | | NONE | NONE |
| 91717-0012 | c d | | NONE | NONE |
| 91717-0014 | b c d | | NONE | NONE |
| 91717-0013 | b c | | NONE | RED |
| 91717-0015 | b c d | | NONE | BLUE |
| 91717-0016 | c d | | NONE | BLUE |
| 91717-0017 | NONE | | BETWEEN HSG CKT 2&3 | NONE |
| 91717-0018 | NONE | | BETWEEN HSG CKT 1&2 | NONE |
| 91717-0019 | NONE | | NONE | BLUE |
| 91717-0020 | a c | | NONE | BLUE |
| 91717-0021 | b c | | NONE | GREEN |
| 91717-0022 | a d | | NONE | GREEN |
| 91717-0023 | NONE | | NONE | GREEN |
| 91717-0024 | d | | BETWEEN HSG CKT 1&2 | RED |

| 2 CIRCUIT | | | | |
|----------------|-----------------------|----------------------------|---------------------|---------------|
| MOLEX PART NO. | REMOVED POSITION KEYS | CONFIGURATION (SEE NOTE 1) | POLARIZING RIB | COLOUR STRIPE |
| 91717-0025 | a c | | BETWEEN HSG CKT 1&2 | RED |
| 91717-0026 | a | | BETWEEN HSG CKT 2&3 | NONE |
| 91717-0027 | NONE | | BETWEEN HSG CKT 2&3 | RED |
| 91717-0028 | a | | NONE | RED |
| 91717-0029 | NONE | | NONE | RED |
| 91717-0030 | b c d | | BETWEEN HSG CKT 1&2 | RED |
| 91717-0031 | a | | BETWEEN HSG CKT 2&3 | RED |
| 91717-0032 | b | | NONE | RED |
| 91717-0033 | d | | NONE | YELLOW |
| 91717-0035 | b d | | NONE | GREEN |
| 91717-0036 | NONE | | BETWEEN HSG CKT 1&2 | RED |
| 91717-0037 | b d | | BETWEEN HSG CKT 1&2 | RED |
| 91717-0038 | a c | | BETWEEN HSG CKT 2&3 | NONE |
| 91717-0039 | a b d | | NONE | NONE |
| 91717-0040 | a | | NONE | BLUE |

- NOTES
- 1. + DENOTES TERMINAL VOIDED POSITION
 - DENOTES TERMINAL LOADED POSITION
 - | DENOTES POLARIZING RIB POSITION

| 3 CIRCUIT | | | | |
|----------------|-----------------------|----------------------------|---------------------|---------------|
| MOLEX PART NO. | REMOVED POSITION KEYS | CONFIGURATION (SEE NOTE 1) | POLARIZING RIB | COLOUR STRIPE |
| 91717-1001 | NONE | | NONE | NONE |
| 91717-1002 | b | | NONE | NONE |
| 91717-1003 | c | | NONE | NONE |
| 91717-1004 | c d e | | NONE | NONE |
| 91717-1005 | NONE | | BETWEEN HSG CKT 4&5 | NONE |
| 91717-1007 | NONE | | BETWEEN HSG CKT 1&2 | NONE |
| 91717-1008 | d e f | | NONE | RED |
| 91717-1009 | a b c | | NONE | RED |
| 91717-1010 | a c d e | | NONE | NONE |
| 91717-1011 | a c d e | | NONE | BLUE |
| 91717-1012 | b c d e | | NONE | NONE |
| 91717-1013 | a c e | | NONE | NONE |

| | | | | | | | | |
|--|---|--|--|--|---|------------------------------|---------------------|--|
| SEE SHEET 1 EC NO: E2009-0568 DRAWN: TOUR SH CHKD: BRUTLE APPR: BMAGUIRE 2009/05/12 2009/05/12 2009/05/12 | QUALITY SYMBOLS = 0.25 = 0.125 ANGULAR ±1/2° | GENERAL TOLERANCES (UNLESS SPECIFIED) 4 PLACES ±--- ±--- 3 PLACES ±--- ±--- 2 PLACES ±0.10 ±--- 1 PLACE ±0.2 ±--- ANGULAR ±1/2° | DIMENSION STYLE MM ONLY DRAWN BY DATE NMCNAMAR 2004/02/12 CHECKED BY DATE J DENNEHY 2004/02/13 APPROVED BY DATE BMAGUIRE 2004/02/16 | SCALE 1:1 DESIGN UNITS METRIC THIRD ANGLE PROJECTION | TITLE APPLI-MATE 2.5 FEMALE 5MM TERMINAL PITCH (MATL: NYLON PA6) | MATERIAL NO. SD-91717-001 | SHEET NO. 2 OF 3 | |
| | DRAFT WHERE APPLICABLE MUST REMAIN WITHIN DIMENSIONS | | SEE CHARTS | MOLEX INCORPORATED | | | | |
| | THIS DRAWING CONTAINS INFORMATION THAT IS PROPRIETARY TO MOLEX INCORPORATED AND SHOULD NOT BE USED WITHOUT WRITTEN PERMISSION | | | | | | | |
| | | | | | | | | |

4 CIRCUIT

| MOLEX PART NO. | REMOVED POSITION KEYS | CONFIGURATION (SEE NOTE 1) | POLARIZING RIB | COLOUR STRIPE |
|----------------|-----------------------|----------------------------|----------------|---------------|
| 91717-2001 | NONE | | NONE | NONE |
| 91717-2002 | a | | NONE | NONE |
| 91717-2003 | b | | NONE | NONE |
| 91717-2004 | d f | | NONE | NONE |
| 91717-2005 | a e g | | NONE | RED |
| 91717-2006 | c e | | NONE | NONE |
| 91717-2007 | a b d e g | | NONE | NONE |

7 CIRCUIT

| MOLEX PART NO. | REMOVED POSITION KEYS | CONFIGURATION (SEE NOTE 1) | POLARIZING RIB | COLOUR STRIPE |
|----------------|-----------------------|----------------------------|----------------|---------------|
| 91717-5001 | a c e g i k m | | NONE | NONE |

5 CIRCUIT

| MOLEX PART NO. | REMOVED POSITION KEYS | CONFIGURATION (SEE NOTE 1) | POLARIZING RIB | COLOUR STRIPE |
|----------------|-----------------------|----------------------------|----------------|---------------|
| 91717-3001 | NONE | | NONE | NONE |
| 91717-3002 | b c g h i | | NONE | GREEN |

8 CIRCUIT

| MOLEX PART NO. | REMOVED POSITION KEYS | CONFIGURATION (SEE NOTE 1) | POLARIZING RIB | COLOUR STRIPE |
|----------------|-----------------------|----------------------------|----------------|---------------|
| 91717-6001 | NONE | | NONE | NONE |

6 CIRCUIT

| MOLEX PART NO. | REMOVED POSITION KEYS | CONFIGURATION (SEE NOTE 1) | POLARIZING RIB | COLOUR STRIPE |
|----------------|-----------------------|----------------------------|----------------|---------------|
| 91717-4001 | NONE | | NONE | NONE |
| 91717-4002 | b c d e f g h i k | | NONE | NONE |

9 CIRCUIT

| MOLEX PART NO. | REMOVED POSITION KEYS | CONFIGURATION (SEE NOTE 1) | POLARIZING RIB | COLOUR STRIPE |
|----------------|-----------------------|----------------------------|----------------|---------------|
| 91717-7001 | NONE | | NONE | NONE |

10 CIRCUIT

| MOLEX PART NO. | REMOVED POSITION KEYS | CONFIGURATION (SEE NOTE 1) | POLARIZING RIB | COLOUR STRIPE |
|----------------|-----------------------|----------------------------|----------------|---------------|
| 91717-8001 | NONE | | NONE | NONE |

- NOTES
- + DENOTES TERMINAL VOIDED POSITION
 - DENOTES TERMINAL LOADED POSITION
 - ⊥ DENOTES POLARIZING RIB POSITION
 - A - APPLICABLE CABLE: UL 1569, 22 AWG, 7 Strand

| | | | | | | |
|--|---|---|--|-------|--------------|------------------------|
| SEE SHEET 1 EC NO: E2009-0568 DRAWN BY: TOUR SH CHKD BY: BRUTLE APPR: BMAGUIRE 2009/05/12 2009/05/12 2009/05/12 | QUALITY SYMBOLS | GENERAL TOLERANCES (UNLESS SPECIFIED) | DIMENSION STYLE | SCALE | DESIGN UNITS | THIRD ANGLE PROJECTION |
| | $\nabla=0$ $\nabla=0$ | mm INCH 4 PLACES ± --- ± --- 3 PLACES ± --- ± --- 2 PLACES ± 0.10 ± --- 1 PLACE ± 0.2 ± --- ANGULAR ± 1/2° | MM ONLY DRAWN BY DATE NMCNAMAR 2004/02/12 CHECKED BY DATE JDENNEHY 2004/02/13 APPROVED BY DATE BMAGUIRE 2004/02/16 | 1:1 | METRIC | |
| | DRAFT WHERE APPLICABLE MUST REMAIN WITHIN DIMENSIONS | SEE CHARTS MATERIAL NO. SD-91717-001 DOCUMENT NO. 3 OF 3 | APPLI-MATE 2.5 FEMALE 5MM TERMINAL PITCH (MATL: NYLON PA6) MOLEX INCORPORATED | | | |
| | THIS DRAWING CONTAINS INFORMATION THAT IS PROPRIETARY TO MOLEX INCORPORATED AND SHOULD NOT BE USED WITHOUT WRITTEN PERMISSION | | | | | |