

PLEASE CHECK WWW.MOLEX.COM FOR LATEST PART INFORMATION

Part Number: [0923170801](#)
Status: **Active**
Overview: [picoflex](#)
Description: Picoflex® PF-50 IDT-to-IDT Z-Style, 8 Circuits, 1.0m (3.28') Length

Documents:

[3D Model](#) [Product Specification PS-99020-0011 \(PDF\)](#)
[Drawing \(PDF\)](#) [RoHS Certificate of Compliance \(PDF\)](#)

General

| | |
|------------------------|-------------------------------|
| Product Family | Cable Assemblies |
| Series | 92317 |
| Connector to Connector | Picoflex ® IDT-to-IDT Z Style |
| Overview | picoflex |
| Product Name | Picoflex® |

Physical

| | |
|--------------------------------|-------------------|
| Cable Length | 1.0m (3.28') |
| Circuits (Loaded) | 8 |
| Color - Resin | Natural |
| Gender | Female-Female |
| Lock to Mating Part | None |
| Material - Metal | Phosphor Bronze |
| Material - Plating Mating | Tin |
| Material - Plating Termination | Tin |
| Material - Resin | Polyester |
| Packaging Type | Bag |
| Pitch - Mating Interface (in) | 0.050 In |
| Pitch - Mating Interface (mm) | 1.27 mm |
| Plating min: Mating (µin) | 80.00 |
| Plating min: Mating (µm) | 2.000 |
| Plating min: Termination (µin) | 80.00 |
| Plating min: Termination (µm) | 2.00 |
| Single Ended | No |
| Termination Interface: Style | IDT or Pierce |
| Waterproof / Dustproof | No |
| Wire Insulation Diameter | N/A |
| Wire Size AWG | 28 |
| Wire/Cable Type | PVC, Ribbon Cable |

Electrical

| | |
|-------------------------------|------|
| Current - Maximum per Contact | 1.2A |
| Shielded | No |
| Voltage - Maximum | 250V |

Material Info

Reference - Drawing Numbers

| | |
|-----------------------|---------------|
| Product Specification | PS-99020-0011 |
| Sales Drawing | SD-92317-001 |

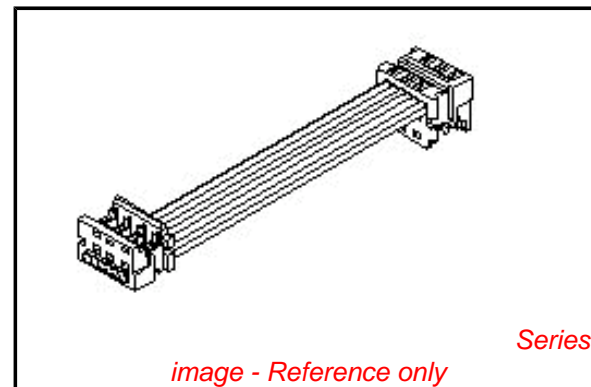


image - Reference only

EU RoHS **China RoHS**

Compliance Status

Not Reviewed

REACH SVHC

Not Reviewed

Halogen-Free

Status

Not Reviewed

Need more information on product environmental compliance?

Email productcompliance@molex.com
 For a multiple part number RoHS Certificate of Compliance, [click here](#)

Please visit the [Contact Us](#) section for any non-product compliance questions.

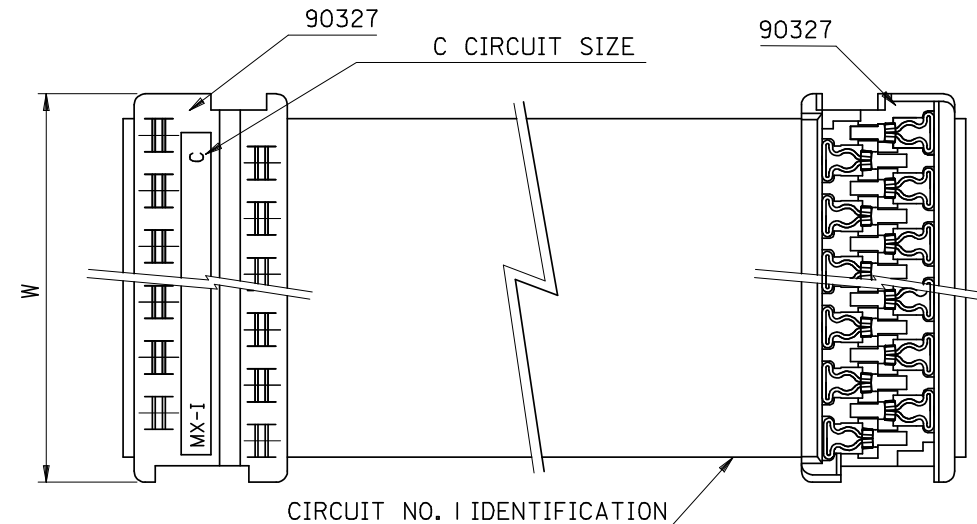
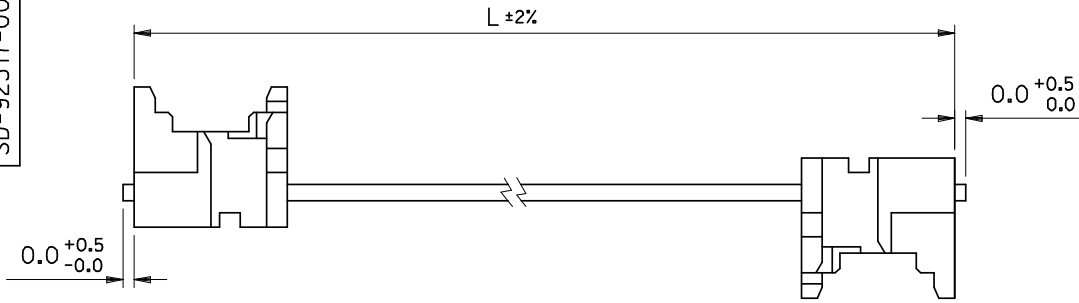
Search Parts in this Series

[92317Series](#)

Mates With

Picoflex® PF-50 Header [90325](#) , [90800](#) , [90779](#) , [90715](#) , [90814](#)

SEE CHART
SD-92317-001



| 90327 CONNECTOR | |
|-----------------|-------------|
| CIRCUIT SIZE | DIMENSION W |
| 4 | 7.59 |
| 6 | 10.13 |
| 8 | 12.67 |
| 10 | 15.21 |
| 12 | 17.75 |
| 14 | 20.29 |
| 16 | 22.83 |
| 18 | 25.37 |
| 20 | 27.91 |
| 22 | 30.45 |
| 24 | 32.99 |
| 26 | 35.53 |

CABLE DETAILS:

28 AWG , 1.27 MM PITCH , 7 STRANDS WITH TINNED COPPER , GREY PVC INSULATION WITH A COLOURED POLARITY STRIPE INDICATING CIRCUIT NO. 1 , UL 2651.

NOTES:

1. SEE PRODUCT SPECIFICATIONS PS-99020-0011.
2. SEE TERMINATION SPECIFICATION ES-99033-0001.
3. SEE CABLE SPECIFICATION ES-99027-0006.
4. HARNESSES WILL BE 100% ELECTRICALLY TESTED FOR SHORTS AND DISCONTINUITIES.

ORDERING INFORMATION

92317-****

CIRCUIT SIZE
LENGTH L IN CENTIMETRES
LENGTHS AVAILABLE FROM 6 CM TO 120 CM

e.g. 92317-1208 = 12 CIRCUIT WITH LENGTH L OF 8 CM.

NOTE : FOR LENGTHS OF
100 CM , THE PART NO. IS 92317-***01
105 CM , THE PART NO. IS 92317-***02
110 CM , THE PART NO. IS 92317-***03
115 CM , THE PART NO. IS 92317-***04
120 CM , THE PART NO. IS 92317-***05

| | | | | | | | | | | |
|---|-----------------------|-----------------------------------|--------------------------------------|--|------|---|------|---|------------------------|------------------------|
| ENTER DESCRIPTION EC NO: E2008-0739 DRWN:KOTYPKO 2008/07/03 CHKD:MDABROWSKA 2008/07/03 APPR:DWARWAS 2008/07/04 | REVISION C1 | DESCRIPTION DESCRIPTION | QUALITY SYMBOLS ▽=0 ▽=0 | GENERAL TOLERANCES (UNLESS SPECIFIED) | | DIMENSION STYLE MM ONLY | | SCALE --- | DESIGN UNITS METRIC | FIRST ANGLE PROJECTION |
| | | | | mm | INCH | DRAWN BY | DATE | TITLE | | |
| DRAFT WHERE APPLICABLE MUST REMAIN WITHIN DIMENSIONS | | | | ANGULAR ±---° | | APPROVED BY MWILHITE 98/06/24 | | MOLEX INCORPORATED DOCUMENT NO. SD-92317-001 SHEET NO. 1 OF 1 | | |
| | | | | SEE CHART | | THIS DRAWING CONTAINS INFORMATION THAT IS PROPRIETARY TO MOLEX INCORPORATED AND SHOULD NOT BE USED WITHOUT WRITTEN PERMISSION | | | | |