

**PLEASE CHECK WWW.MOLEX.COM FOR LATEST PART INFORMATION**

**Part Number:** **0190230003**  
**Status:** **Active**  
**Description:** InsulKrimp™ Quick Disconnect, Male, for 18-22 (0.80-0.35) Wire, Box, Tab 4.75mm (.187") x 0.51mm (.020")

**Documents:**

[Drawing \(PDF\)](#) [RoHS Certificate of Compliance \(PDF\)](#)  
[Product Specification PS-19902-008 \(PDF\)](#)

**Agency Certification**

CSA LR18689  
 UL E79133

**General**

Product Family Quick Disconnects  
 Series [19023](#)  
 Comments Funnel Entry  
 Crimp Quality Equipment Yes  
 MolexKits Yes  
 Product Name InsulKrimp™  
 Type Quick Disconnect

**Physical**

Barrel Type Closed  
 Flammability 94V-2  
 Gender Male  
 Glow-Wire Compliant No  
 Insulation PVC  
 Lock to Mating Part None  
 Material - Metal Brass  
 Orientation Straight  
 Packaging Type Bag  
 Polarized to Mating Part No  
 Tab Thickness 0.51mm (.020")  
 Tab Width 4.75mm (.187")  
 Temperature Range - Operating -50°C to +105°C  
 Wire Insulation Diameter 3.70mm (.145") max.  
 Wire Size AWG 18, 20, 22  
 Wire Size mm² 0.35 - 0.80

**Electrical**

Voltage - Maximum 600V

**Material Info**

Old Part Number AMCT-27X

**Reference - Drawing Numbers**

Product Specification PS-19902-008  
 Sales Drawing SD-19023-004

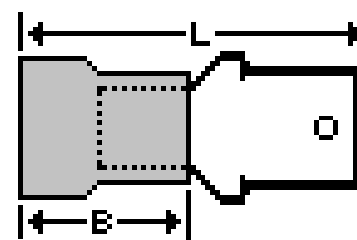


image - Reference only

Series

**EU RoHS**

**ELV and RoHS Compliant**

**REACH SVHC**

Not Reviewed

**Halogen-Free**

**Status**

**Not Reviewed**

**China RoHS**



**Need more information on product environmental compliance?**

Email [productcompliance@molex.com](mailto:productcompliance@molex.com)  
 For a multiple part number RoHS Certificate of Compliance, [click here](#)

Please visit the [Contact Us](#) section for any non-product compliance questions.

**Search Parts in this Series**

[19023Series](#)

**Application Tooling | FAQ**

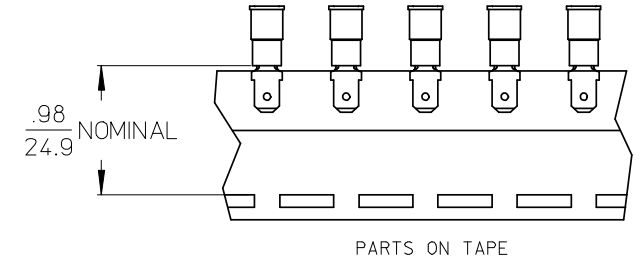
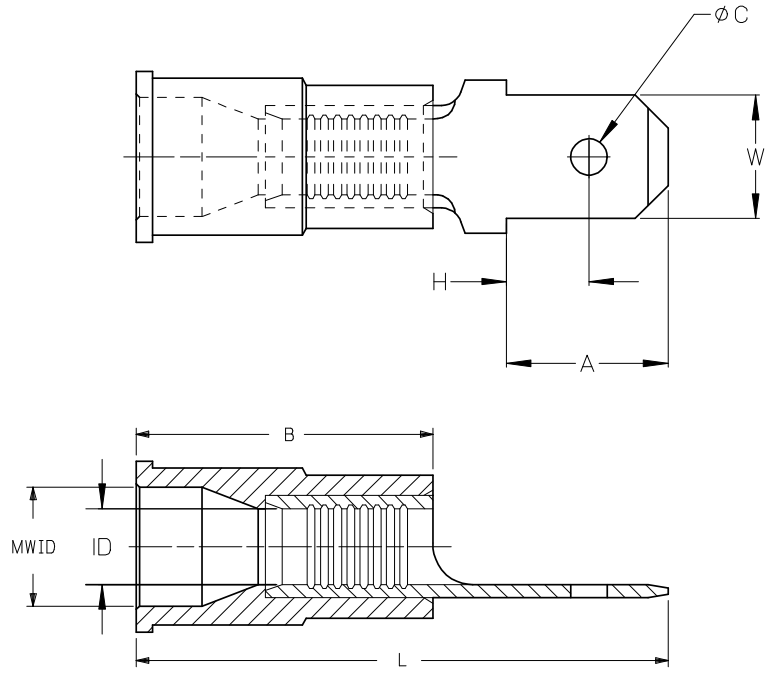
*Tooling specifications and manuals are found by selecting the products below. Crimp Height Specifications are then contained in the Application Tooling Specification document.*

**Global**

Description	Product #
Hand Crimp Tool	<a href="#">0640012400</a>
Crimp Head for the AT-200™ Pneumatic Hand Tool	<a href="#">0640052400</a>

10	9	8	7	6	5	4	3	2	1							
LOOSE PC MATERIAL NUMBER	LOOSE PC ENGINEERING NUMBER	ON TAPE MATERIAL NUMBER	ON TAPE ENGINEERING NUMBER	WIRE RANGE	TAB SIZE REFERENCE	COLOR	ID MIN	B MAX	MWID	L MAX	W ± .005 / 0.13	A MIN	H MAX	C ± .007 / 0.18	TERMINAL MAT'L THICKNESS REF.	TERMINAL FINISH
190230005	AMCT-2X	190230006	AMCT-2XT	22-18AWG (0.38-0.96mm <sup>2</sup> )	.250x.032 (6.35x0.81)	RED	.062 / 1.57	.450 / 11.43	.145 / 3.68	.92 / 23.4	.250 / 6.35	.30 / 7.6	.14 / 3.6	.075 / 1.91	BRASS, .032/0.81	ZINC CHROMATE
190230012	MCT-2X	190230014	MCT-2XT	16-14 AWG (1.23-1.94mm <sup>2</sup> )	.250x.032 (6.35x0.81)	BLUE	.081 / 2.06	.450 / 11.43	.175 / 4.44	.92 / 23.4	.250 / 6.35	.30 / 7.6	.14 / 3.6	.075 / 1.91	BRASS, .032/0.81	ZINC CHROMATE
190230008	CMCT-2X	190230009	CMCT-2XT	12-10 AWG (3.09-5.01mm <sup>2</sup> )	.250x.032 (6.35x0.81)	YELLOW	.128 / 3.25	.550 / 13.97	.245 / 6.22	1.10 / 27.94	.250 / 6.35	.30 / 7.6	.14 / 3.6	.075 / 1.91	BRASS, .032/0.81	ZINC CHROMATE
190230003	AMCT-27X	190230004	AMCT-27XT	22-18AWG (0.38-0.96mm <sup>2</sup> )	.187x.020 (4.75x0.51)	RED	.062 / 1.57	.450 / 11.43	.145 / 3.68	.82 / 23.4	.187 / 4.75	.24 / 6.1	.13 / 3.3	.055 / 1.40	BRASS, .020/0.51	ZINC CHROMATE
190230010	MCT-27X	190230011	MCT-27XT	16-14 AWG (1.23-1.94mm <sup>2</sup> )	.187x.020 (4.75x0.51)	BLUE	.081 / 2.06	.450 / 11.43	.175 / 4.44	.82 / 23.4	.187 / 4.75	.24 / 6.1	.13 / 3.3	.055 / 1.40	BRASS, .020/0.51	ZINC CHROMATE

©



© (ALL NOTES)

- NOTES:
1. MALE QD MATERIAL: SEE CHART
  2. MALE QD FINISH: SEE CHART
  3. INSULATION MATERIAL: PVC
  4. TAB DIMENSIONS CONFORM TO UL310 SPECIFICATIONS.
  5. PART IS ROHS COMPLIANT.

REDRWN W/MATL & FIN CHG  
 EC NO: ETC2007-0081  
 DRAWN:EHILE 2008/01/28  
 CHKD:MACNEIL 2008/01/28  
 APPR:MACNEIL 2008/02/13

REV	DESCRIPTION
1	QUALITY SYMBOLS
	▽=0
	▽=0

GENERAL TOLERANCES (UNLESS SPECIFIED)	
	ANGULAR ±---°
4 PLACES	±---
3 PLACES	±---
2 PLACES	±---
1 PLACE	±---

DRAFT WHERE APPLICABLE  
MUST REMAIN WITHIN DIMENSIONS

DIMENSION STYLE	
IN/MM ©	
DRAWN BY	DATE
RCM	1991/01/25
CHECKED BY	DATE
---	---
APPROVED BY	DATE
---	---
MATERIAL NO.	DOCUMENT NO.
SEE CHART	SD-19023-004
SIZE B	THIS DRAWING CONTAINS INFORMATION THAT IS PROPRIETARY TO MOLEX INCORPORATED AND SHOULD NOT BE USED WITHOUT WRITTEN PERMISSION

SCALE	DESIGN UNITS	THIRD ANGLE PROJECTION
---	INCH	◎
TITLE		
MALE QUICK DISCONNECT, INSULKRIMP		
MOLEX MOLEX INCORPORATED		
MATERIAL NO.	DOCUMENT NO.	SHEET NO.
SEE CHART	SD-19023-004	1 OF 1