

PLEASE CHECK WWW.MOLEX.COM FOR LATEST PART INFORMATION

Part Number: [0461325000](#)
Status: **Active**
Overview: [handylink](#)
Description: 0.80mm (.031") Pitch HandyLink™ Plug for PCB Termination, 16 Circuit with PCB Through Hold Options

Documents:

[3D Model](#) [Product Specification PS-46132-001 \(PDF\)](#)
[Drawing \(PDF\)](#) [RoHS Certificate of Compliance \(PDF\)](#)

Agency Certification

CSA LR19980
 UL E29179

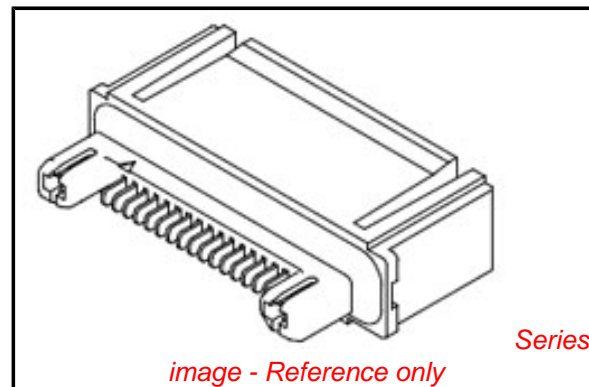
General

Product Family I/O Connectors
 Series [46132](#)
 Application Board-to-Board, Wire-to-Board
 Comments Please reference Application Specification AS-44828-001 when designing
 Component Type Plug
 More Detailed Tech Information handylink@molex.com
 Overview [handylink](#)
 Product Name HandyLink®
 Type N/A

Physical

Circuits (Loaded) 16
 Circuits (maximum) 16
 Circuits Detail Terminals 1 through 16 Loaded
 Color - Resin Black
 Durability (mating cycles max) 700
 Flammability 94V-0
 Gender Plug
 Keying to Mating Part None
 Lock to Mating Part Yes
 Material - Metal High Performance Alloy (HPA), Stainless Steel
 Material - Plating Mating Gold, Tin
 Material - Plating Termination Tin
 Material - Resin High Temperature Thermoplastic
 Orientation Vertical
 Packaging Type Tray
 Panel Mount No
 Pitch - Mating Interface (in) 0.031 In
 Pitch - Mating Interface (mm) 0.80 mm
 Plating min: Mating (µin) 4, 50.00
 Plating min: Mating (µm) 0.1, 1.250
 Plating min: Termination (µin) 200, 50.00
 Plating min: Termination (µm) 1.25, 5
 Polarized to Mating Part Yes
 Surface Mount Compatible (SMC) No
 Temperature Range - Operating -40°C to +85°C
 Termination Interface: Style Through Hole
 Wire Size AWG N/A

Electrical



EU RoHS

ELV and RoHS Compliant
REACH SVHC
 Not Reviewed
Halogen-Free Status
 Not Reviewed

China RoHS



Need more information on product environmental compliance?

Email productcompliance@molex.com
 For a multiple part number RoHS Certificate of Compliance, [click here](#)

Please visit the [Contact Us](#) section for any non-product compliance questions.

Search Parts in this Series

[46132Series](#)

Mates With

[44828 HandyLink™ SMT Receptacle](#)

Current - Maximum per Contact	1.5A
Shielded	No
Voltage - Maximum	30V

Solder Process Data

Duration at Max. Process Temperature (seconds)	40
Lead-free Process Capability	Wave Capable (TH only)
Max. Cycles at Max. Process Temperature	3
Process Temperature max. C	260

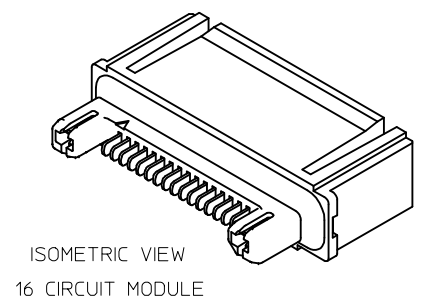
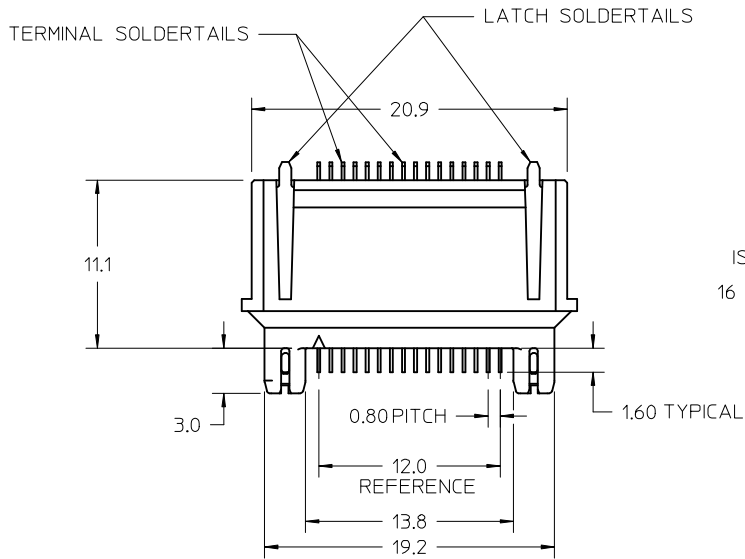
Material Info

Reference - Drawing Numbers

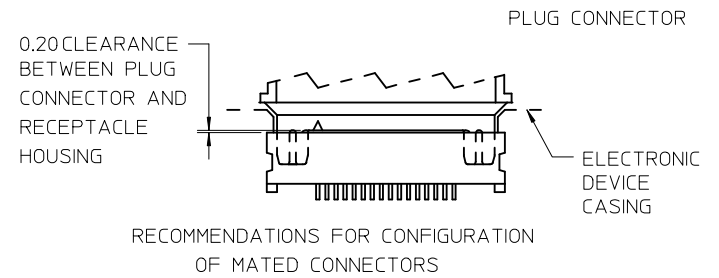
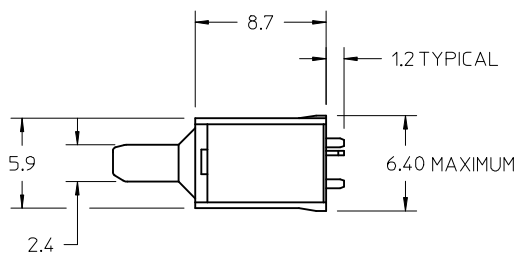
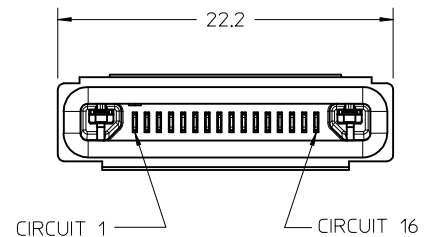
Packaging Specification	PK-45593-001
Product Specification	PS-46132-001
Sales Drawing	SD-46132-500

This document was generated on 05/20/2010

PLEASE CHECK WWW.MOLEX.COM FOR LATEST PART INFORMATION

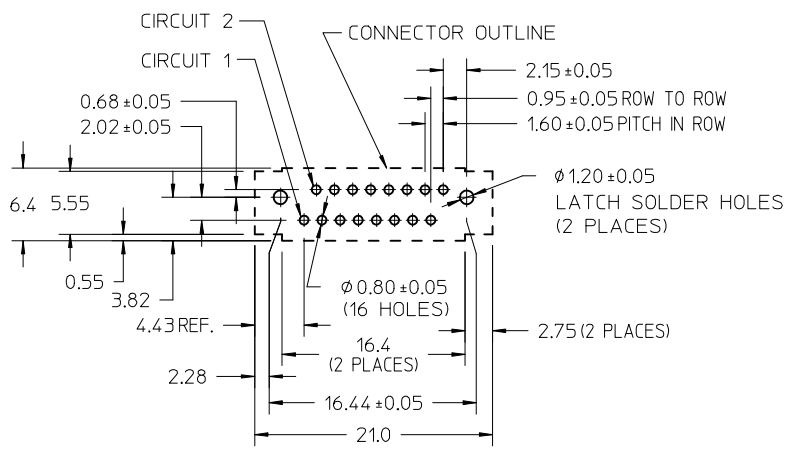


- NOTES:
- MATERIALS:
 - HOUSING: HIGH-TEMPERATURE NYLON, GLASS FILLED, UL94V-0, COLOR: BLACK.
 - TERMINAL: TIN-BRASS ALLOY
 - LATCHES: STAINLESS STEEL.
 - FINISHES:
 - TERMINAL: SELECTIVE GOLD IN CONTACT AREA, THICKNESS= 0.1 MICROMETERS MINIMUM; OVER SELECTIVE PALLADIUM NICKEL IN CONTACT AREA, THICKNESS= 1.0 MICROMETER MINIMUM; SELECTIVE BRIGHT TIN IN SOLDER TAIL AREA, THICKNESS= 1.01 MICROMETERS MINIMUM; NICKEL UNDERPLATE OVERALL.
 - LATCHES: OVERALL TIN, THICKNESS= 5 MICROMETERS MINIMUM, NICKEL UNDERPLATE OVERALL.
 - PRODUCT SPECIFICATION: PS-46132-001.
 - APPLICATION SPECIFICATION: AS-44828-001.
 - PACKAGED PER PACKAGING SPECIFICATION PK-45593-001.
 - PART COMPLIES WITH CLASS C OF COSMETIC SPECIFICATION PS-45499-002.



IMPORTANT: PLEASE REFER TO MOLEX APPLICATION SPECIFICATION AS-44828-001 FOR DETAILED DESIGN LAYOUT AND MATING REQUIREMENTS.

NO. OF CIRCUITS	PLUG ITEM NUMBER	TERMINAL LOCATIONS (PRESENCE DENOTED BY AN X)															
		1	2	3	4	5	6	7	8	9	10	11	12	13	14	15	16
16	461325000	X	X	X	X	X	X	X	X	X	X	X	X	X	X	X	X
11	461325001	X	X	X			X			X	X	X	X	X	X		X
10	461325002	X			X	X	X	X					X	X	X	X	X



ADD -5001 & -5006 EC NO: UCP2009-2006 DRW:DMORGAN 2009/03/02 CHKD:MIBARRA 2009/03/03 APPR:SMILLER 2009/03/03	QUALITY SYMBOLS ▽=0 ▽=0	GENERAL TOLERANCES (UNLESS SPECIFIED)		DIMENSION STYLE IN/MM		SCALE 4:1	DESIGN UNITS INCH	THIRD ANGLE PROJECTION	
		4 PLACES ± --- ± ---	3 PLACES ± --- ± .005	DRAWN BY DMORGAN	DATE 2009/01/29	TITLE 0.8MM HANDYLINK™ HIGH LOAD PLUG WITH PCB THRU HOLE OPTIONS			
		2 PLACES ± 0.13 ± .010	1 PLACE ± 0.25 ± ---	CHECKED BY MIBARRA	DATE 2009/01/29	MOLEX INCORPORATED			
		ANGULAR ± 1/2°		APPROVED BY SMILLER	DATE 2009/01/29	MATERIAL NO. SEE CHART		DOCUMENT NO. SD-46132-500	SHEET NO. 1 OF 1
DRAFT WHERE APPLICABLE MUST REMAIN WITHIN DIMENSIONS		SIZE C		THIS DRAWING CONTAINS INFORMATION THAT IS PROPRIETARY TO MOLEX INCORPORATED AND SHOULD NOT BE USED WITHOUT WRITTEN PERMISSION					