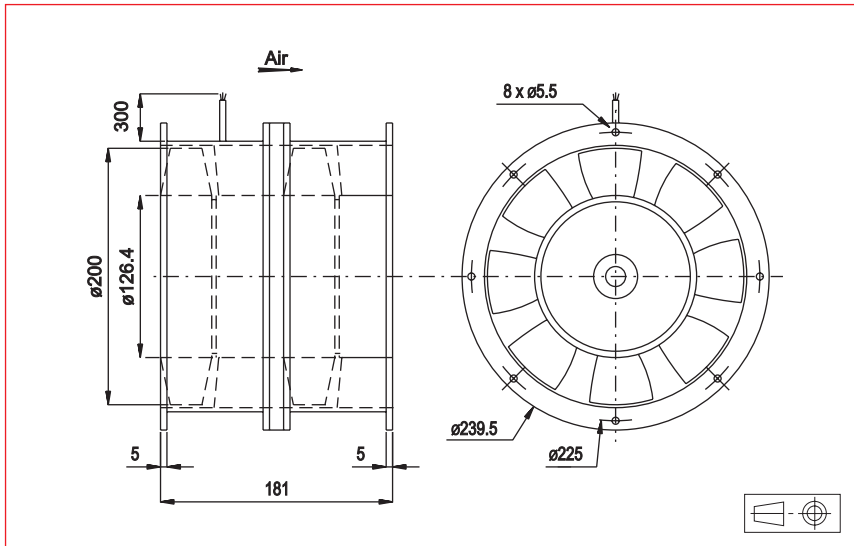


**Ø 9,43" x 7,126" Ø 239,5 x 181 mm**

**62GR**

**ETRI®**

AC High Performance Fans



**Approvals**

CE, NATO codification

**Life expectancy**

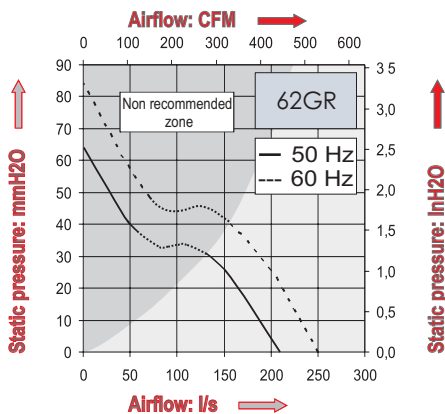
L-10 LIFE AT 40°C:  
25 000 hours

**AC Motor**

Housing material: aluminium  
Impeller material: aluminium  
Weight: 6,95 kg  
Bearing system: ball bearings

**Available with:**

- Safety switch
- Terminal block
- Plastic impeller (61GR model)



Part Number	Nominal voltage	Airflow	Noise level	Nominal speed	Frequency	Phases	Capacitor (not included)	Input power	Nominal Current	Starting Current	Connection type		Operating temperature	
	V	l/s	dB(A)	RPM	Hz		µF	W	mA	mA	Leads	Terminals	Min.°C	Max.°C
62GR116DC13	220	210	69	2900	50	3		74	550	2250	X		-10	70
	380	210	69	2900	50	3		74	320	1300	X		-10	70
	220	250	73	3400	60	3		86	370	2100	X		-10	70
	380	250	73	3400	60	3		86	215	1200	X		-10	70
	220	210	69	2900	50	1	5,7	73	520	1900	X		-10	70
	380	210	69	2900	50	1	2	73	300	1100	X		-10	70
	220	250	73	3400	60	1	5,7	90	410	1750	X		-10	70
	380	250	73	3400	60	1	2	90	235	1000	X		-10	70

**Additional versions:**

Salt spray protected - Shock and vibration protected - Marine specifications  
Wide temperature range - Other voltages (consult factory)

**Accessories:**

Refer to Accessories leaflet