

**PLEASE CHECK WWW.MOLEX.COM FOR LATEST PART INFORMATION**

**Part Number:** [0684271290](#)  
**Status:** **Planned for Obsolescence**  
**Description:** 2.50mm (.098") Pitch Wire-to-Board TPA™, 12 Circuits

**Documents:**

[Drawing \(PDF\)](#) [RoHS Certificate of Compliance \(PDF\)](#)  
[Product Specification PS-68426-001 \(PDF\)](#)

**General**

Product Family	Accessories
Series	<a href="#">68427</a>
Comments	<a href="#">68426</a> Wire-to-Board Housing
Component Type	Retainer
Product Name	TPA™ - Term Pos Assurance

**Physical**

Circuits (Loaded)	12
Lock to Mating Part	Yes
Number of Rows	1
Packaging Type	Bag
Temperature Range - Operating	-40°C to +105°C

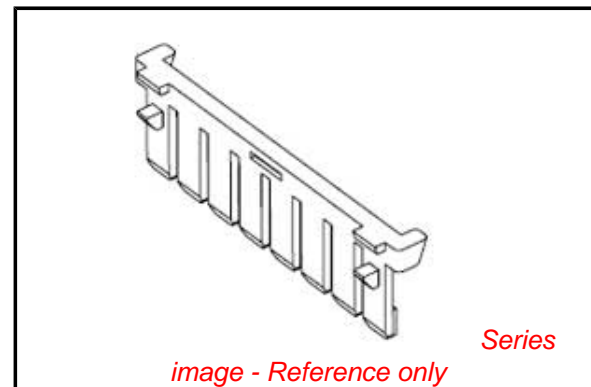
**Electrical**

Current - Maximum per Contact	3A
-------------------------------	----

**Material Info**

**Reference - Drawing Numbers**

Product Specification	PS-68426-001
Sales Drawing	SD-68427-001



**EU RoHS**

**ELV and RoHS  
Compliant**  
**REACH SVHC  
Not Reviewed**  
**Halogen-Free  
Status  
Not Reviewed**

**China RoHS**



**Need more information on product  
environmental compliance?**

Email [productcompliance@molex.com](mailto:productcompliance@molex.com)  
 For a multiple part number RoHS Certificate of  
 Compliance, [click here](#)

Please visit the [Contact Us](#) section for any  
 non-product compliance questions.

**Search Parts in this Series**  
[68427Series](#)

**Use With**  
[71755-1000](#) MicroCross™ EMI Shield Kit

DO NOT SCALE DRAWING  
DIMENSION IN METRIC

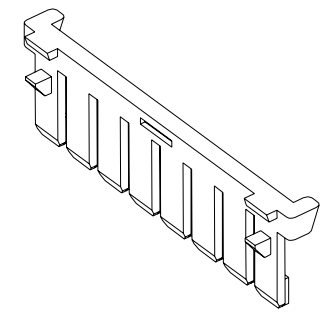
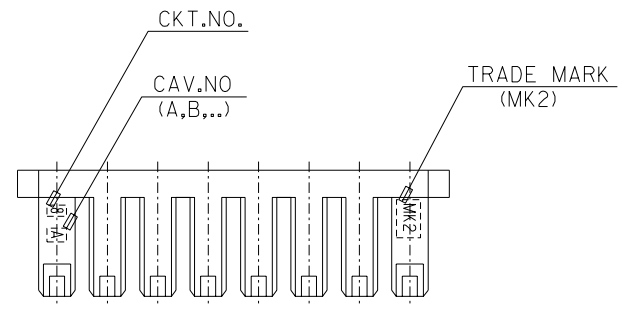
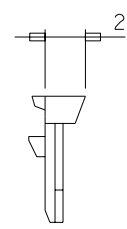
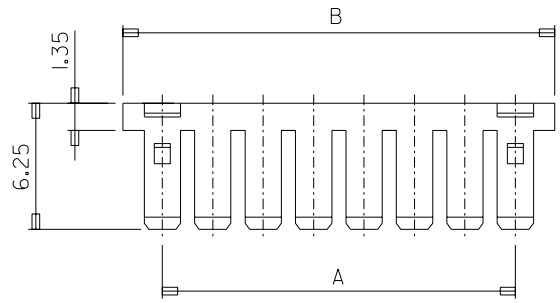
B

C

PROJECT NO.

SIMILAR ITEM

DWG. NO.  
SD-68427-001



38.9	35.0	68427-1590
33.9	30.0	1390
31.4	27.5	1290
28.9	25.0	1190
26.4	22.5	1090
21.4	17.5	0890
11.4	7.5	68427-0490
B	A	ENG. NO.

NOTES

1. MATERIAL : POLYESTER, UL94V-0, GLASS FILLED NATURAL COLOR
2. APPLICABLE HOUSING: 68426

NEW RELEASED EC NO. KOR2003-0232 DRWN: W.Y.YANG 03/03/20 CHK: W.Y.YANG APPR: C.W.LEE	DESCRIPTION	QUALITY SYMBOLS	MAJOR = 0	CRITICAL = 0	GENERAL TOLERANCES: (UNLESS SPECIFIED)	SCALE 4:1	DESIGN UNITS <input checked="" type="checkbox"/> mm <input type="checkbox"/> INCH	THIRD ANGLE PROJECTION	DIMENSIONS: <input type="checkbox"/> mm <input type="checkbox"/> INCH <input checked="" type="checkbox"/> mm ONLY	SHT	REV
		4 PLACES	±.	±.	mm	INCH	DRAWN BY & DATE W.Y.YANG 03/01/20		TITLE: 2.5 W/B CONN.(TPA) TPA		
		3 PLACES	±.	±.	mm	INCH	CHECKED BY & DATE W.Y.YANG 03/01/20		MOLEX INCORPORATED		
		2 PLACES	±0.25	±.	mm	INCH	APPROVED BY & DATE C.W.LEE 03/01/20				
A	REV	ANGULAR: ± °		DRAFT WHERE APPLICABLE MUST REMAIN WITHIN DIMENSIONS		CAD FILENAME S68427AA	MATERIAL NO. SEE TABLE	DRAWING NO. SD-68427-001	SHEET NO. 1 OF 1	SIZE B	

THIS DRAWING CONTAINS INFORMATION THAT IS PROPRIETARY TO MOLEX INCORPORATED AND SHOULD NOT BE USED WITHOUT WRITTEN PERMISSION.