

PLEASE CHECK WWW.MOLEX.COM FOR LATEST PART INFORMATION

Part Number: **0191930243**
Status: **Active**
Description: VersaKrimp™ Ring Tongue Terminal for 6 AWG Wire

Documents:

[Drawing \(PDF\)](#) [RoHS Certificate of Compliance \(PDF\)](#)

Agency Certification

CSA LR18689
 UL E32244

General

Product Family Ring and Spade Terminals
 Series 19193
 Crimp Quality Equipment Yes
 Mil-Spec N/A
 Product Name VersaKrimp™
 Type Ring

Physical

Barrel Type Closed - Brazed
 Insulation None
 Material - Plating Mating Tin
 Packaging Type Bag
 Plating min: Mating (µin) 100
 Plating min: Mating (µm) 2.5
 Plating min: Termination (µin) 100
 Plating min: Termination (µm) 2.5
 Stud Size 8 (M4)
 Termination Interface: Style Crimp or Compression
 Wire Size AWG 6

Material Info

Old Part Number E-360-08

Reference - Drawing Numbers

Sales Drawing SD-19193-032



image - Reference only

EU RoHS

**ELV and RoHS
 Compliant**
**REACH SVHC
 Contains SVHC: No**
**Halogen-Free
 Status**

China RoHS



**Need more information on product
 environmental compliance?**

Email productcompliance@molex.com
 For a multiple part number RoHS Certificate of
 Compliance, [click here](#)

Please visit the [Contact Us](#) section for any
 non-product compliance questions.

Search Parts in this Series

19193Series

Application Tooling | [FAQ](#)

*Tooling specifications and manuals are
 found by selecting the products below.
 Crimp Height Specifications are then
 contained in the Application Tooling
 Specification document.*

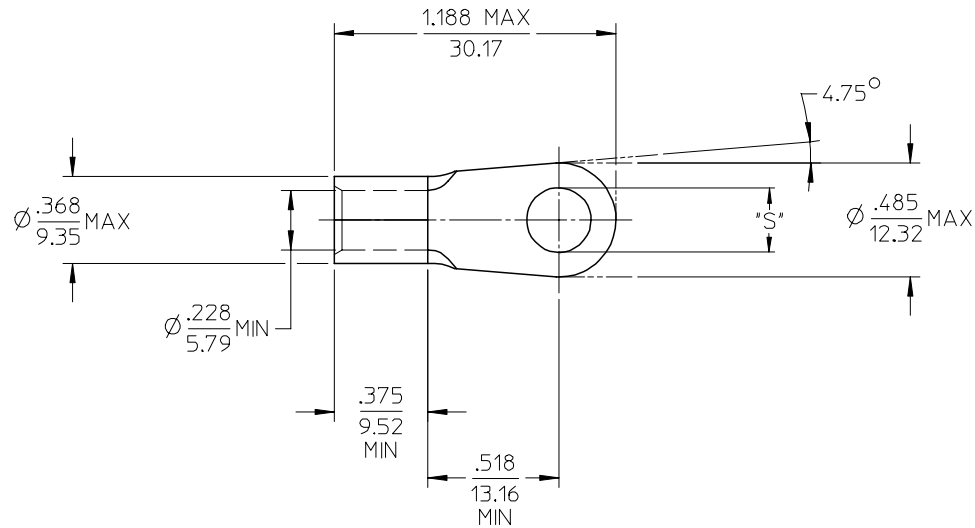
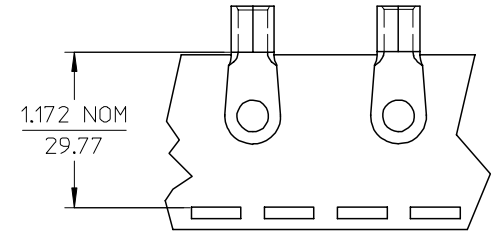
Global

Description	Product #
Putt Pump Dieless Head System	<u>0192860065</u>
Manual Putt Pump Hydraulic System, Die set required	<u>0192860117</u>
Die Set (large) for the HHLS Hydraulic Crimper	<u>0192900004</u>
Hand Crimp Tool	<u>0640013900</u>
Crimp Head for the AT-200™ Pneumatic Hand Tool	<u>0640074300</u>

This document was generated on 04/14/2010

PLEASE CHECK WWW.MOLEX.COM FOR LATEST PART INFORMATION

MATERIAL NO. LOOSE PIECE	ENG. NO.	MATERIAL NO. TAPE MOUNTED	ENG. NO.	STUD SIZE	±.003 *S*	STOCK THICKNESS
191930243	E-360-08	191930244	E-360-08T	8	.173	.050/(1.27) (B)
191930245	E-360-10	191930247	E-360-10T	10	.198	
191930248	E-360-14	191930250	E-360-14T	1/4	.265	
191930251	E-360-56	191930253	E-360-56T	5/16	.328	



SALES DRAWING

- NOTE(S):
1. MATERIAL: COPPER
 2. PLATING: ELECTROPLATE TIN
 3. ALL DIMENSIONS IN INCHES/(MM).
 4. WIRE SIZE: 6 AWG
16 MM²
 5. PART IS ROHS COMPLIANT. (B)

REVISED MATL THKNS EC NO: ETC2007-0011 DRW: NEHLE 2006/07/12 CHKD: JMAGNELL 2006/07/13 APPR: RDOERSS 2006/07/17	QUALITY SYMBOLS ▽=0 ▽=0	GENERAL TOLERANCES (UNLESS SPECIFIED)		DIMENSION STYLE IN/MM	SCALE 2:1	DESIGN UNITS INCH	THIRD ANGLE PROJECTION		
			mm	INCH	DRAWN BY DLM	DATE 03/07/28	TITLE RING TONGUE TERMINAL VERSAKRIMP SERIES 6 AWG		
		4 PLACES	± ---	± ---	CHECKED BY HEB	DATE 03/07/28	APPROVED BY RWD		
		3 PLACES	± ---	± .005	DATE 03/07/28	MATERIAL NO. SEE CHART			
2 PLACES	± 0.13	± .01	APPROVED BY RWD		DATE 03/07/28	DOCUMENT NO. SD-19193-032			
1 PLACE	± 0.25	± ---	ANGULAR ±1/2°		SHEET NO. 1 OF 1				
DRAFT WHERE APPLICABLE MUST REMAIN WITHIN DIMENSIONS				THIS DRAWING CONTAINS INFORMATION THAT IS PROPRIETARY TO MOLEX INCORPORATED AND SHOULD NOT BE USED WITHOUT WRITTEN PERMISSION					