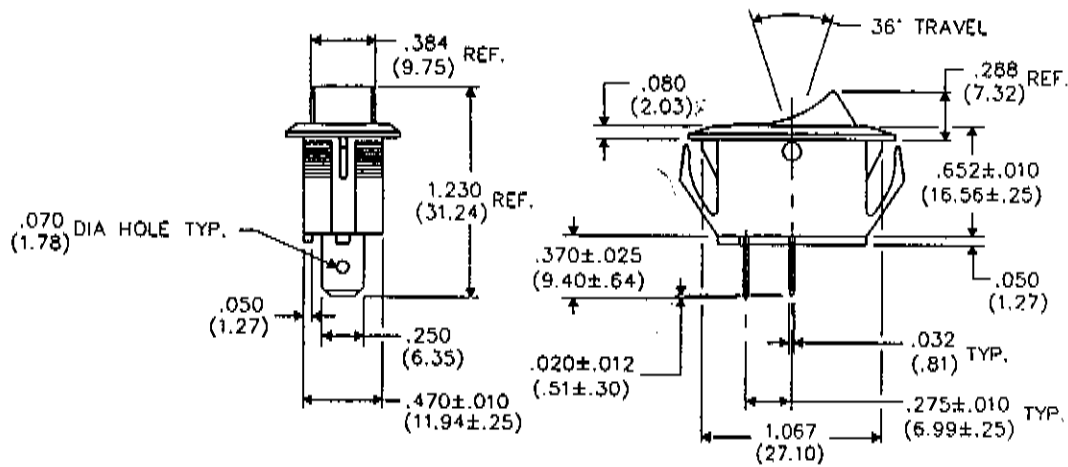
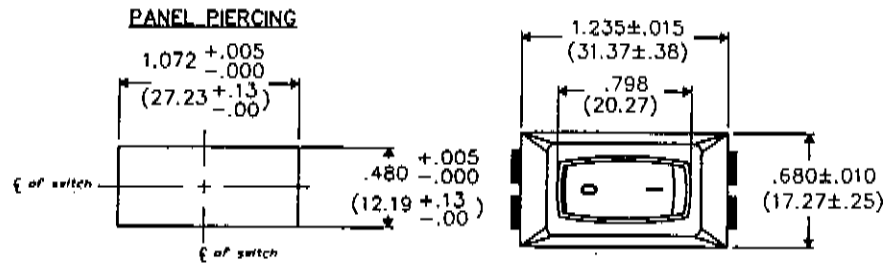


DIMENSIONS IN INCHES (MILLIMETERS)
DO NOT SCALE DRAWING

Dwg. No.
GRS-2011-3020



1 2 3 4 5 6 7 8 9 10

FORM-B4
REVISIONS
0
RELEASED
DWG 3-07-2001

CW INDUSTRIES
Southampton, Pa 18966

TOLERANCES UNLESS OTHERWISE SPECIFIED

2 Place Decimal \pm .010	METRIC
3 Place Decimal \pm .005	1 Place-Dec. \pm .25mm
Angles \pm 1°	2 Place-Dec. \pm .13mm

Made for: CW IND.
Drawn by: DGW 3-07-2001
Checked by: *A. Guld* 3-12-01
Approval: *T. Chapman* 2-12-01

Title: ASSEMBLY DWG.
S.P.S.T. ROCKER
NON-POLARIZED
1.072" x .480" PANEL

Division: SWITCH
Dwg. No. GRS-2011-3020