

PLEASE CHECK WWW.MOLEX.COM FOR LATEST PART INFORMATION

Part Number: [0190220006](#)
Status: **Active**
Description: Krimptite™ Quick Disconnect, Male, for 18-22 (0.80-0.35) Wire, Box, Tab 4.75mm (.187") x 0.51mm (.020")

Documents:

[Drawing \(PDF\)](#) [RoHS Certificate of Compliance \(PDF\)](#)

Agency Certification

CSA LR18689
 UL E79133

General

Product Family Quick Disconnects
 Series [19022](#)
 Comments Economical
 Crimp Quality Equipment Yes
 Product Name Krimptite™
 Type Quick Disconnect

Physical

Barrel Type Closed
 Gender Male
 Glow-Wire Compliant No
 Insulation None
 Lock to Mating Part None
 Material - Metal Brass
 Orientation Straight
 Packaging Type Bag
 Polarized to Mating Part No
 Tab Thickness 0.51mm (.020")
 Tab Width 4.75mm (.187")
 Temperature Range - Operating Per Wire Specification
 Wire Size AWG 18, 20, 22
 Wire Size mm² 0.35 - 0.80

Electrical

Voltage - Maximum Per Wire Specification

Material Info

Old Part Number AMCT-17

Reference - Drawing Numbers

Sales Drawing SD-19022-017

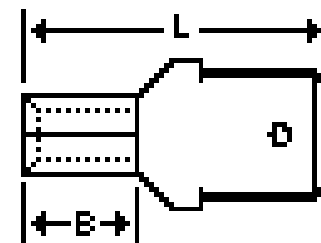


image - Reference only

—Series

EU RoHS

ELV and RoHS Compliant

REACH SVHC

Not Reviewed

Halogen-Free

Status

Not Reviewed

China RoHS



Need more information on product environmental compliance?

Email productcompliance@molex.com
 For a multiple part number RoHS Certificate of Compliance, [click here](#)

Please visit the [Contact Us](#) section for any non-product compliance questions.

Search Parts in this Series

[19022Series](#)

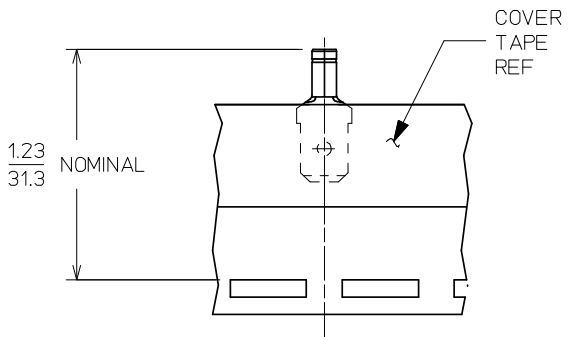
Application Tooling | FAQ

Tooling specifications and manuals are found by selecting the products below. Crimp Height Specifications are then contained in the Application Tooling Specification document.

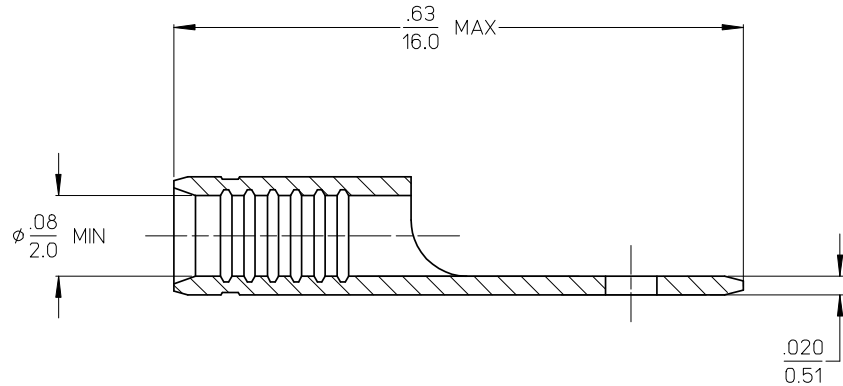
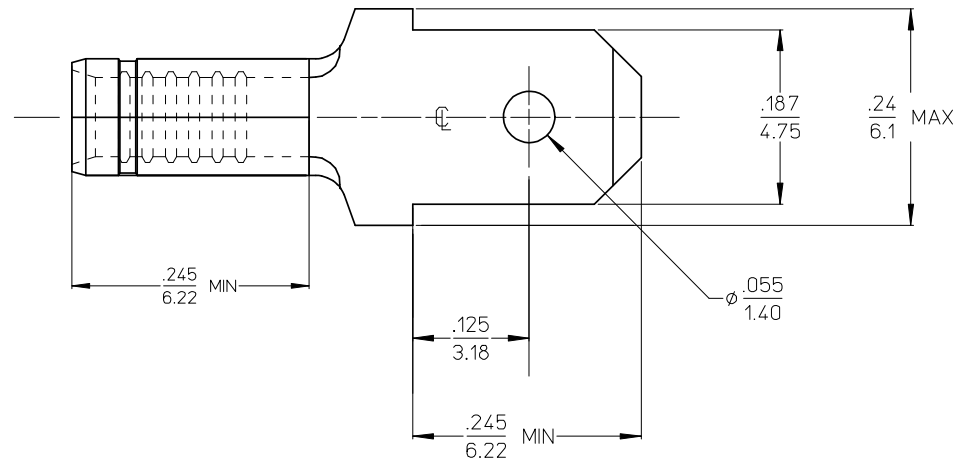
Global

Description	Product #
Hand Crimp Tool	0640031200
Crimp Head for the AT-200™ Pneumatic Hand Tool	0640071200

	13	12	11	10	9	8	7	6	5	4	3	2	1
	MATERIAL NUMBER	ENGINEERING NUMBER	FINISH	CARRIER									
J	190220006	AMCT-17	ZINC CHROMATE PLATING	LOOSE PIECE									
	190220009	AMCT-17T	ZINC CHROMATE PLATING	TAPE MOUNTED									



190220009 (AMCT-17T)
PARTS ON TAPE



- (A) NOTES:
1. MATERIAL: BRASS
 2. FINISH: SEE CHART
 3. WIRE SIZE: 22-18 AWG (0.38-0.96 mm²)
 4. TAB DIMENSIONS CONFORM TO UL310 SPECIFICATIONS.
 5. PART IS ROHS COMPLIANT.

CHANGED MATERIAL EC NO: ETC2007-0081 DRAWN:EHILE 2008/01/28 CHKD:JMACEIL 2008/01/28 APPR:JMACEIL 2008/02/13	QUALITY SYMBOLS ▽=0 ▽=0	GENERAL TOLERANCES (UNLESS SPECIFIED)		DIMENSION STYLE IN/MM	SCALE 10:1	DESIGN UNITS INCH	THIRD ANGLE PROJECTION
		4 PLACES ±--- ±---	3 PLACES ±--- ±.005	2 PLACES ±0.13 ±.01	1 PLACE ±0.25 ±---	ANGULAR ±---°	DRAWN BY GZ
		DRAFT WHERE APPLICABLE MUST REMAIN WITHIN DIMENSIONS		MATERIAL NO. SEE CHART	APPROVED BY	DATE	MOLEX MOLEX INCORPORATED
REV A				SIZE C	THIS DRAWING CONTAINS INFORMATION THAT IS PROPRIETARY TO MOLEX INCORPORATED AND SHOULD NOT BE USED WITHOUT WRITTEN PERMISSION		DOCUMENT NO. SD-19022-017
							SHEET NO. 1 OF 1