

**PLEASE CHECK WWW.MOLEX.COM FOR LATEST PART INFORMATION**

**Part Number:** [5017868090](#)  
**Status:** **Active**  
**Overview:** [ffc\\_fpc\\_smt](#)  
**Description:** 0.50mm (.020") Pitch FFC-to-Board Connector, Receptacle Housing Assy, Vertical, SMT, without Grounding terminals, 80 Circuits

**Documents:**

[Drawing \(PDF\)](#) [RoHS Certificate of Compliance \(PDF\)](#)  
[Product Specification PS-501786-001 \(PDF\)](#)

**General**

Product Family FFC/FPC Connectors  
 Series [501786](#)  
 Comments without Grounding terminals  
 Overview [ffc\\_fpc\\_smt](#)  
 Product Name N/A

**Physical**

Circuits (Loaded) 80  
 Color - Resin Black  
 Contact Position N/A  
 Durability (mating cycles max) 20  
 Entry Angle Vertical  
 Mated Height (in) 0.352 In  
 Mated Height (mm) 8.95 mm  
 Material - Metal Copper Alloy  
 Material - Plating Mating Gold  
 Material - Plating Termination Gold  
 Number of Rows 1  
 Orientation Vertical  
 PCB Locator Yes  
 PCB Retention Yes  
 Packaging Type Embossed Tape on Reel  
 Pitch - Mating Interface (in) 0.020 In  
 Pitch - Mating Interface (mm) 0.50 mm  
 Polarized to PCB Yes  
 Stackable No  
 Temperature Range - Operating -40°C to +85°C  
 Termination Interface: Style Surface Mount  
 Wire/Cable Type FFC only

**Electrical**

Current - Maximum per Contact 0.5A  
 Voltage - Maximum 50V AC (RMS)/DC

**Material Info**

**Reference - Drawing Numbers**

Packaging Specification SPK-501786-001  
 Product Specification PS-501786-001, RPS-501786-006  
 Sales Drawing SD-501786-001, SD-501786-003

**EU RoHS**

**ELV and RoHS  
 Compliant**  
**REACH SVHC  
 Contains SVHC: No**  
**Halogen-Free  
 Status**  
**Not Reviewed**

**China RoHS**



**Need more information on product  
 environmental compliance?**

Email [productcompliance@molex.com](mailto:productcompliance@molex.com)  
 For a multiple part number RoHS Certificate of Compliance, [click here](#)

Please visit the [Contact Us](#) section for any non-product compliance questions.

**Search Parts in this Series**

[501786Series](#)

**Use With**

501783-8009 Plug Jacket . [501784-8009](#)  
 Plug Jacket Cover

10 9 8 7 6 5 4 3 2 1

F

E

D

C

B

A

F

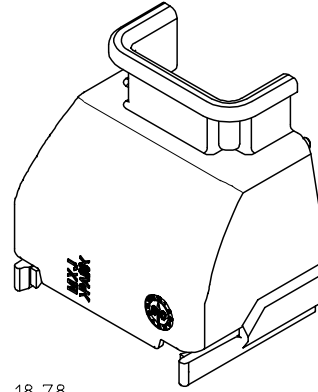
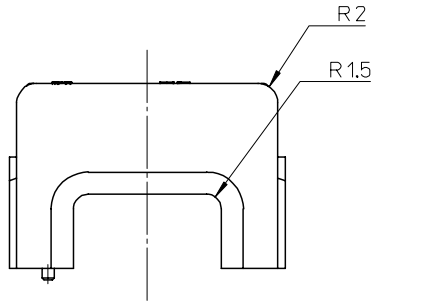
E

D

C

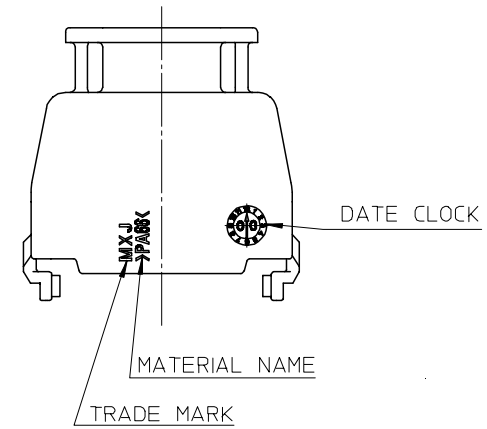
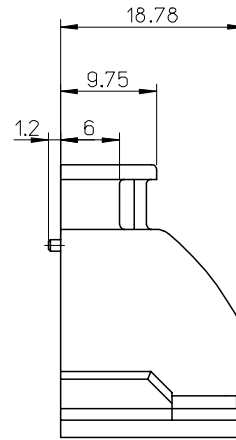
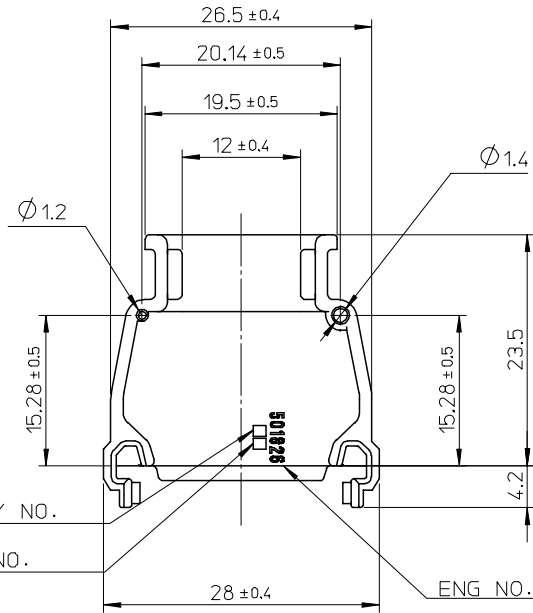
B

A

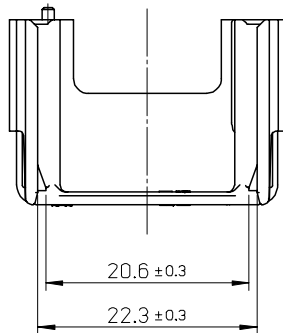


注記  
NOTES

- 適合ハウジング: 501820-32\*1  
APPLICABLE HOUSING: 501820-32\*1
- 材質: PA66.GF 0% 黒色  
MATERIAL: PA66.GF 0% BLACK



CAVITY NO.  
DIE NO.  
ENG NO.



RELEASED EC NO: J2006-2786 DRWN: YMASUDA02 2006/03/06 CHKD: TAITO 2006/03/07 APPR: AKANESHIGE 2006/03/08	GENERAL TOLERANCES (UNLESS SPECIFIED)		DIMENSION STYLE MM ONLY	SCALE 2:1	DESIGN UNITS METRIC	THIRD ANGLE PROJECTION
	10 UNDER	± 0.2	DRAWN BY YMASUDA02	DATE 2006/3/1	TITLE CMC W/W CONN. 32P PLUG HOUSING WIRE DRESS COVER	
	10 OVER 30 UNDER	± 0.25	CHECKED BY TAITO	DATE 2006/3/1	MOLEX INCORPORATED	
	30 OVER	± 0.3	APPROVED BY AKANESHIGE	DATE 2006/3/1	MATERIAL NO. 501826-3201	
	ANGULAR	± 3 °	DRAFT WHERE APPLICABLE MUST REMAIN WITHIN DIMENSIONS		DOCUMENT NO. SD-501826-001	SHEET NO. 1 OF 1