

**PLEASE CHECK WWW.MOLEX.COM FOR LATEST PART INFORMATION**

**Part Number:** [5018263201](#)  
**Status:** **Active**  
**Overview:** [cmc connectors](#)  
**Description:** CMC Wire-to-Wire Connector Plug Housing Wire Dress Cover, 32 Circuits

**Documents:**

[Drawing \(PDF\)](#) [RoHS Certificate of Compliance \(PDF\)](#)

**General**

Product Family	Accessories
Series	<a href="#">501826</a>
Component Type	Cover
Overview	<a href="#">cmc connectors</a>
Product Name	CMC

**Physical**

Breakaway	No
Circuits (Loaded)	N/A
Color - Resin	Black
Gender	N/A
Material - Resin	Nylon
Number of Rows	0
Packaging Type	Bag
Polarized to Mating Part	N/A
Temperature Range - Operating	-40°C to +100°C

**Material Info**

**Reference - Drawing Numbers**

Application Specification	AS-500993-002
Packaging Specification	SPK-501826-001
Product Specification	RPS-500993-001
Sales Drawing	SD-501826-001

**EU RoHS**  
**ELV and RoHS**  
**Compliant**  
**REACH SVHC**  
 Not Reviewed  
**Halogen-Free**  
**Status**  
**Not Reviewed**

**China RoHS**



**Need more information on product environmental compliance?**

Email [productcompliance@molex.com](mailto:productcompliance@molex.com)  
 For a multiple part number RoHS Certificate of Compliance, [click here](#)

Please visit the [Contact Us](#) section for any non-product compliance questions.

**Search Parts in this Series**

[501826Series](#)

**Use With**

[501820 Plug Housing](#)

10 9 8 7 6 5 4 3 2 1

F

E

D

C

B

A

F

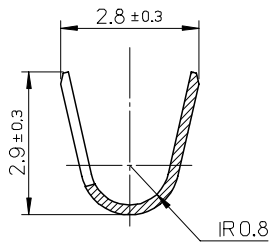
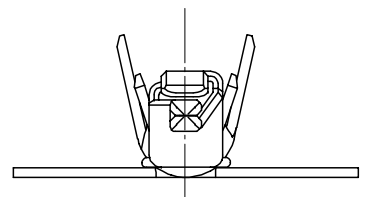
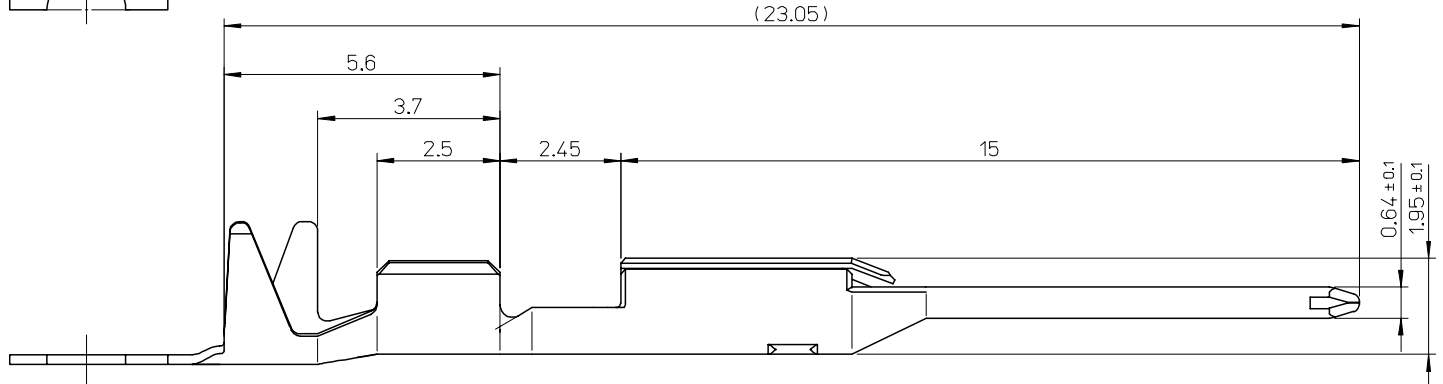
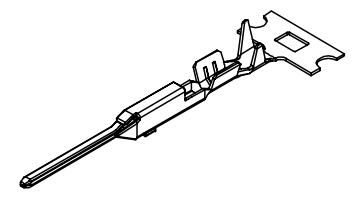
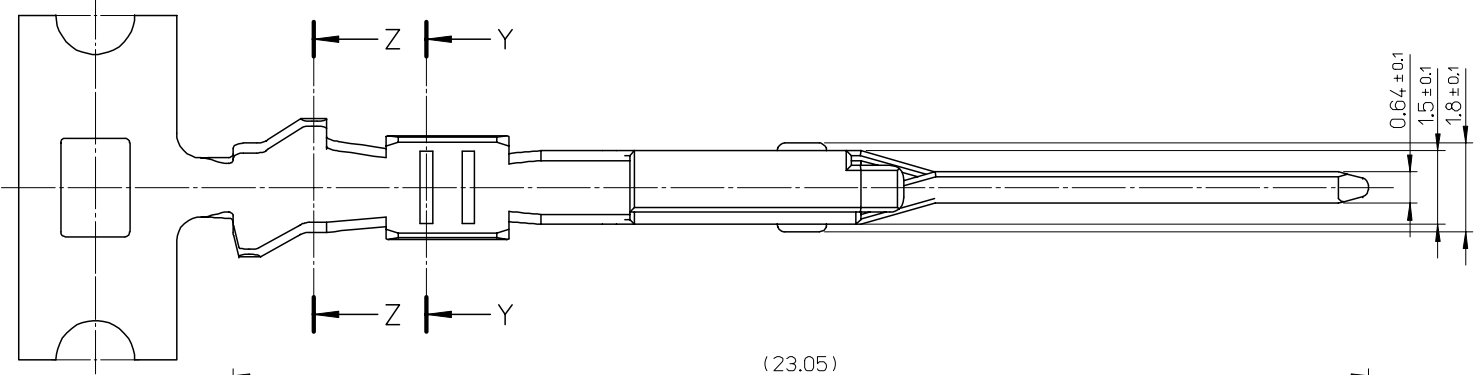
E

D

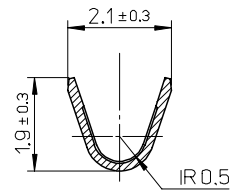
C

B

A



SECTION Z-Z



SECTION Y-Y

注記  
NOTES

1. 材料：黄銅、錫めっき材 (t=0.2)  
MATERIAL : PRE-TIN BRASS (t=0.2)
2. 適合ハウジング：501820-3209  
APPLICABLE HOUSING : 501820-3209

RELEASED EC NO: J2006-2342 DRWN:HKOMATSU 2006/01/25 CHKD:TAITO 2006/01/25 APPR:AKANESHIGE 2006/01/27	GENERAL TOLERANCES (UNLESS SPECIFIED)		DIMENSION STYLE MM ONLY		SCALE 10:1		DESIGN UNITS METRIC		THIRD ANGLE PROJECTION	
	10 UNDER	±0.2	DRAWN BY HKOMATSU		DATE 2005/9/8		TITLE CMC W/W CONN. MALE TERMINAL 0.64 -LEAD FREE-			
	10 OVER 30 UNDER	±0.25	CHECKED BY TAITO		DATE 2005/9/9		MOLEX INCORPORATED			
	30 OVER	±0.3	APPROVED BY AKANESHIGE		DATE 2005/9/9					
	ANGULAR ±1 °		DRAFT WHERE APPLICABLE MUST REMAIN WITHIN DIMENSIONS		MATERIAL NO. SEE CHART		DOCUMENT NO. SD-501827-001		SHEET NO. 1 OF 1	
0		SIZE A3		THIS DRAWING CONTAINS INFORMATION THAT IS PROPRIETARY TO MOLEX INCORPORATED AND SHOULD NOT BE USED WITHOUT WRITTEN PERMISSION						