

PLEASE CHECK WWW.MOLEX.COM FOR LATEST PART INFORMATION

Part Number: [0918160014](#)
Status: **Active**
Description: C-Grid Vertical Header Assembly, Dual Row, 14 Circuits

Documents:

[3D Model](#) [Product Specification PS-91816-001 \(PDF\)](#)
[Drawing \(PDF\)](#) [RoHS Certificate of Compliance \(PDF\)](#)

General

Product Family PCB Headers
 Series 91816
 Application Board-to-Board
 Product Name C-Grid®

Physical

Breakaway No
 Circuits (Loaded) 14
 Circuits (maximum) 14
 Color - Resin Black
 Glow-Wire Compliant Yes
 Material - Metal Brass
 Material - Plating Mating Gold
 Material - Plating Termination Tin-Lead
 Material - Resin High Temperature Thermoplastic
 Number of Rows 2
 Orientation Vertical
 PC Tail Length (in) 0.129 In
 PC Tail Length (mm) 3.28 mm
 PCB Locator No
 Packaging Type Bag
 Pitch - Mating Interface (in) 0.100 In
 Pitch - Mating Interface (mm) 2.54 mm
 Pitch - Term. Interface (in) 0.100 In
 Pitch - Term. Interface (mm) 2.54 mm
 Plating min: Mating (µin) 15.2
 Plating min: Mating (µm) 0.38
 Plating min: Termination (µin) 75.2
 Plating min: Termination (µm) 1.88
 Polarized to Mating Part Yes
 Polarized to PCB No
 Shrouded Closed Ends
 Stackable No
 Surface Mount Compatible (SMC) Yes
 Temperature Range - Operating -55°C to +120°C
 Termination Interface: Style Through Hole

Electrical

Current - Maximum per Contact 2.5A
 Voltage - Maximum 250V DC

Material Info

Reference - Drawing Numbers

Product Specification PS-91816-001
 Sales Drawing SD-91816-001

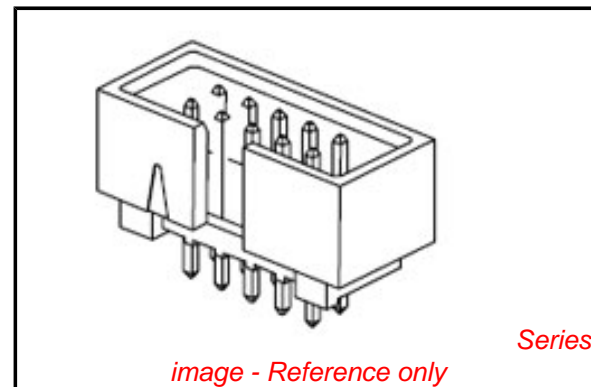


image - Reference only

EU RoHS

**ELV and RoHS
Compliant**

REACH SVHC

Not Reviewed

Halogen-Free

Status

Not Halogen-Free

China RoHS



**Need more information on product
environmental compliance?**

Email productcompliance@molex.com
 For a multiple part number RoHS Certificate of
 Compliance, [click here](#)

Please visit the [Contact Us](#) section for any
 non-product compliance questions.

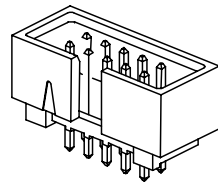
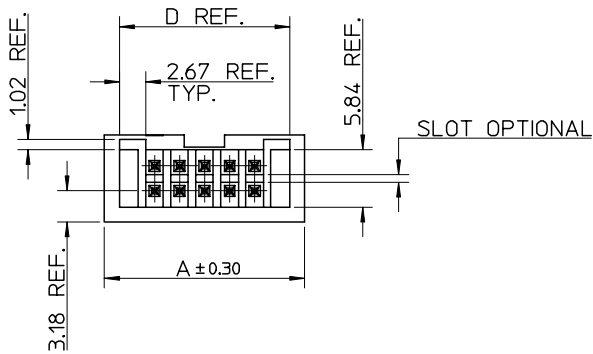
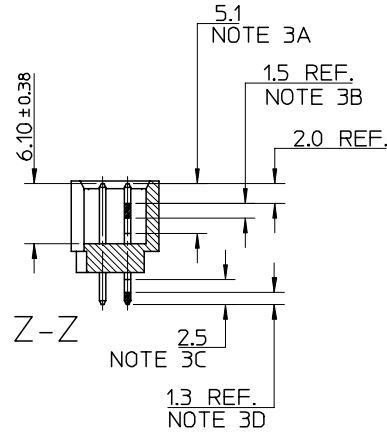
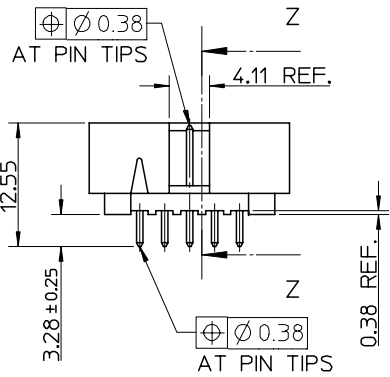
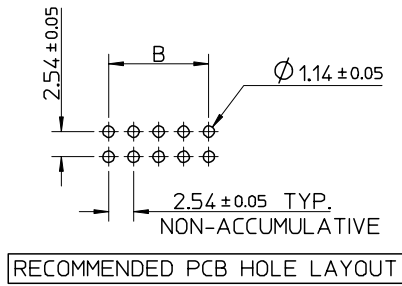
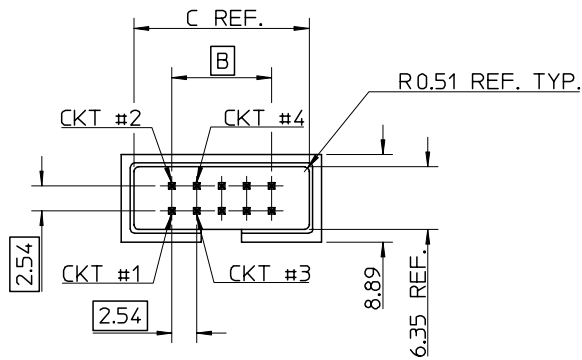
Search Parts in this Series

91816Series

This document was generated on 04/09/2010

PLEASE CHECK WWW.MOLEX.COM FOR LATEST PART INFORMATION

10 9 8 7 6 5 4 3 2 1



PART NUMBER	NO. OF CKTS	DIM A	DIM B	DIM C	DIM D
91816-0008	8	17.78	7.62	15.24	14.73
91816-0010	10	20.32	10.16	17.78	17.27
91816-0012	12	22.86	12.70	20.32	19.81
91816-0014	14	25.40	15.24	22.86	22.35
91816-0016	16	27.94	17.78	25.40	24.89
91816-0020	20	33.02	22.86	30.48	29.97
91816-0024	24	38.10	27.94	35.56	35.05
91816-0026	26	40.64	30.48	38.10	37.59
91816-0030	30	45.72	35.56	43.18	42.67
91816-0034	34	50.80	40.64	48.26	47.75
91816-0040	40	58.42	48.26	55.88	55.37

NOTES:

- MATERIALS:
HOUSING: PCT, 30% GLASS FILLED, UL94 V-0, COLOUR BLACK.
PIN: BRASS, 0.64mm SQUARE REF.
- PLATING:
CONTACT AREA: 0.38um GOLD MIN. OVER 1.27um NICKEL MIN.
SOLDER AREA: 1.9um TIN MIN. OVER 1.27um NICKEL MIN.
- DIMENSIONS FOR PLATING LOCATIONS:
3A: MINIMUM COVERAGE OF GOLD PLATING (CONTACT AREA).
3B: THICKNESS AND POROSITY MEASURING ZONE FOR GOLD.
3C: MINIMUM COVERAGE OF TIN PLATING (SOLDER AREA).
3D: THICKNESS MEASURING ZONE FOR TIN.
- CONFORMS TO PRODUCT SPECIFICATION PS-91816-001.
- SEE PK-91816-001 FOR PACKAGING DETAILS.
- COLOUR VARIATION MAY BE VISIBLE ON HOUSING SURFACES.

ORIGINAL RELEASE EC NO: E2007-0616 DRWN: DENNEHY 2007/02/14 CHKD: DWASZKIEWICZ 2007/02/14 APPR: DENNEHY 2007/02/15	QUALITY SYMBOLS ▽=0 ▽=0	GENERAL TOLERANCES (UNLESS SPECIFIED)		DIMENSION STYLE MM ONLY		SCALE 2:1	DESIGN UNITS METRIC	THIRD ANGLE PROJECTION	
				DRAWN BY DATE JDENNEHY 2007/01/22		TITLE C-GRID SHROUDED HEADER SLOTTED W/O STANDOFFS ROHS COMPATIBLE			
				CHECKED BY DATE DWASZKIEWICZ 2007/01/23		MOLEX INCORPORATED SD-91816-001			
				APPROVED BY DATE JDENNEHY 2007/01/23					
		ANGULAR ± 2 °		MATERIAL NO.		DOCUMENT NO.		SHEET NO. 1 OF 1	
		DRAFT WHERE APPLICABLE MUST REMAIN WITHIN DIMENSIONS		SEE CHART		THIS DRAWING CONTAINS INFORMATION THAT IS PROPRIETARY TO MOLEX INCORPORATED AND SHOULD NOT BE USED WITHOUT WRITTEN PERMISSION			

9 8 7 6 5 4 3 2 1