

PLEASE CHECK WWW.MOLEX.COM FOR LATEST PART INFORMATION

Part Number: [0441440004](#)
Status: **Active**
Overview: [modular_plugs_jacks](#)
Description: Modular Jack, Right Angle, Low Profile, SMT, 6/4

Documents:

[3D Model](#) [Product Specification PS-43743-0001 \(PDF\)](#)
[Drawing \(PDF\)](#) [RoHS Certificate of Compliance \(PDF\)](#)

Agency Certification

CSA LR19980
 UL E107635

General

Product Family Modular Jacks/Plugs
 Series [44144](#)
 Comments Flush Solder Tabs
 Component Type PCB Jack
 Magnetic No
 Overview [modular_plugs_jacks](#)
 Performance Category 3
 Power over Ethernet (PoE) N/A
 Product Name RJ11

Physical

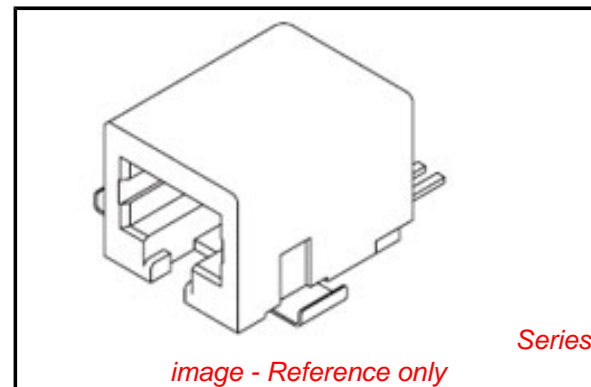
Color - Resin Black
 Durability (mating cycles max) 500
 Flammability 94V-0
 Inverted / Top Latch No
 Lightpipes/LEDs None
 Material - Metal Phosphor Bronze
 Material - Plating Mating Gold
 Material - Plating Termination Tin
 Material - Resin High Temperature Thermoplastic
 Orientation Right Angle (Side Entry)
 PCB Retention Yes
 Packaging Type Embossed Tape on Reel
 Pitch - Mating Interface (in) 0.050 In
 Pitch - Mating Interface (mm) 1.27 mm
 Plating min: Mating (µin) 50
 Plating min: Mating (µm) 1.25
 Plating min: Termination (µin) 100
 Plating min: Termination (µm) 2.5
 Ports 1
 Positions / Loaded Contacts 6/4
 Surface Mount Compatible (SMC) N/A
 Temperature Range - Operating -40°C to +80°C
 Termination Interface: Style Surface Mount
 Wire/Cable Type N/A

Electrical

Current - Maximum per Contact 1.5A
 Shielded No
 Voltage - Maximum 125V

Solder Process Data

Duration at Max. Process Temperature (seconds) 30



EU RoHS

**ELV and RoHS
 Compliant**
**REACH SVHC
 Contains SVHC: No**
**Halogen-Free
 Status**

China RoHS



**Need more information on product
 environmental compliance?**

Email productcompliance@molex.com
 For a multiple part number RoHS Certificate of
 Compliance, [click here](#)

Please visit the [Contact Us](#) section for any
 non-product compliance questions.

Search Parts in this Series

[44144Series](#)

Mates With

FCC 68 Plugs

Lead-free Process Capability
Max. Cycles at Max. Process Temperature
Process Temperature max. C

Reflow Capable (SMT only)
1
235

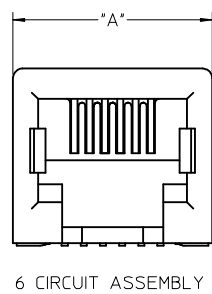
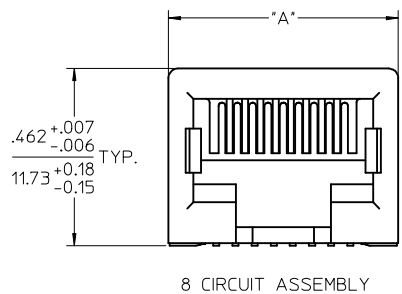
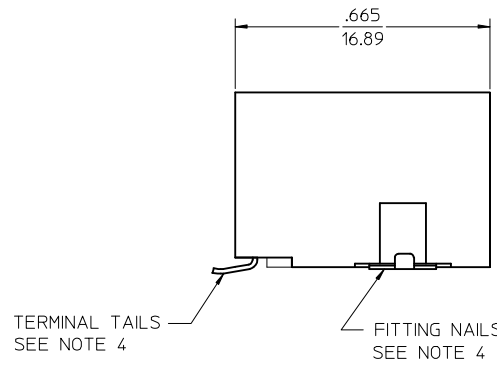
Material Info

Reference - Drawing Numbers

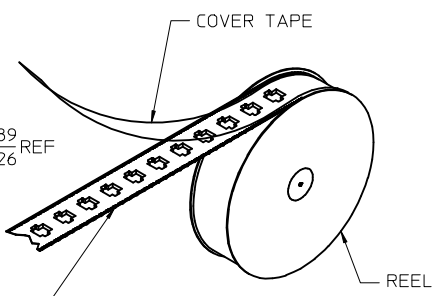
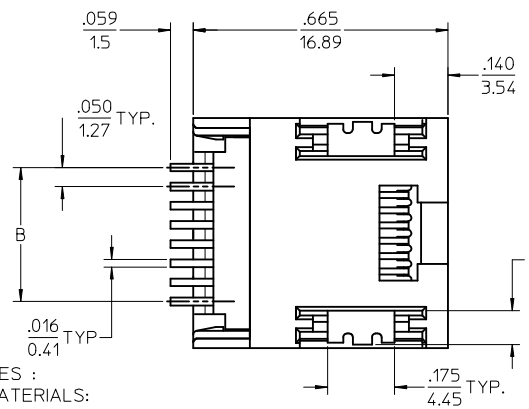
Packaging Specification	PK-70873-700*
Product Specification	PS-43743-0001
Sales Drawing	SD-44144-001

This document was generated on 06/07/2010

PLEASE CHECK WWW.MOLEX.COM FOR LATEST PART INFORMATION



HOUSING SIZE	CIRCUIT SIZE	DIM. A	DIM. B
6	6	.520 (13.21)	.250 (6.35)
6	4	.520 (13.21)	.150 (3.81)
6	2	.520 (13.21)	.050 (1.27)
8	8	.600 (15.24)	.350 (8.89)
8	6	.600 (15.24)	.250 (6.35)



TAPE AND REEL PACKAGING

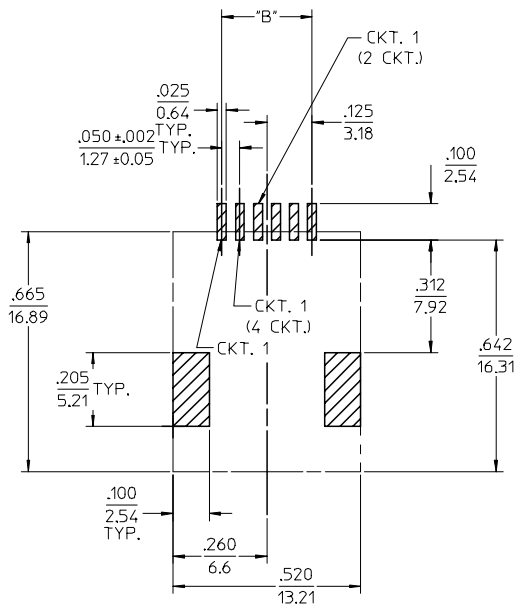
- NOTES :
- MATERIALS:
HOUSING: NYLON, GLASS-FILLED, UL94V-0; COLOR - SEE CHART
TERMINALS: PHOSPHOR BRONZE, .012/(0.30) THICK
FITTING NAILS: BRASS ALLOY, .010/(0.25) THICK
 - FINISH:
TERMINALS:
(A) SELECT GOLD IN CONTACT AREA: .000050/(0.00127) MIN.,
*SELECT MATTE TIN IN PC TAIL AREA: .000100/(0.00254) MIN.,
WITH OVERALL NICKEL UNDERPLATE: .000050/(0.00127) MIN.
(B) SELECT GOLD IN CONTACT AREA: .000030/(0.00076) MIN.,
*SELECT MATTE TIN IN PC TAIL AREA: .000100/(0.00254) MIN.,
WITH OVERALL NICKEL UNDERPLATE: .000050/(0.00127) MIN.
(C) SELECT GOLD IN CONTACT AREA: .000015/(0.00038) MIN.,
*SELECT MATTE TIN IN PC TAIL AREA: .000100/(0.00254) MIN.,
WITH OVERALL NICKEL UNDERPLATE: .000050/(0.00127) MIN.
FITTING NAILS:
*100 MICROINCHES MATTE TIN OVER 50 MICROINCHES NICKEL UNDERPLATE
*THE PRIMARY SHIPPING CARTON WILL BE LABELED "ELV AND RoHS COMPLIANT" CARTONS WITHOUT THIS LABEL MAY CONTAIN PRODUCT WITH TIN-LEAD IN THE PC TAIL AND/OR FITTING NAILS.
 - PRODUCT SPECIFICATION: PS-43743-001
 - COPLANARITY SPECIFICATION:
WITH THE MODULAR JACK SITTING ON A LEVEL SURFACE, THE MAXIMUM GAP BETWEEN THE LEVEL SURFACE AND ALL TERMINAL TAILS AND BOTH FITTING NAILS IS .006/(0.15).
 - FOR ASSEMBLIES HAVING VOIDED CIRCUITS, THE TAIL PORTION IS CUT AND REMOVED. THE MATING PORTION OF THE TERMINAL REMAINS INTACT.
 - CONVECTION SOLDERING TECHNOLOGY SHOULD BE USED WHEN GANGING MODULAR JACKS WITH INBOARD NAILS SIDE-BY-SIDE.
 - THIS PART CONFORMS TO CLASS B REQUIREMENTS OF COSMETIC SPECIFICATION PS-45499-002.

ASSEMBLY ITEM NO.	CONNECTOR SIZE	CIRCUIT SIZE	TERMINAL PLATING	TAPE & REEL PACKAGING No.	VOIDED CIRCUITS	HOUSING COLOR
44144-0001	8	4	A	PK-70873-7002	NA	BLACK
44144-0002	8	6	A	PK-70873-7002		
44144-0003	8	8	A	PK-70873-7002		
44144-0004	6	4	A	PK-70873-7001		
44144-0005	6	6	A	PK-70873-7001		
44144-0006	8	4	B	PK-70873-7002		
44144-0007	8	6	B	PK-70873-7002		
44144-0008	8	8	B	PK-70873-7002		
44144-0009	6	4	B	PK-70873-7001		
44144-0010	6	6	B	PK-70873-7001		
44144-0011	8	4	C	PK-70873-7002		
44144-0012	8	6	C	PK-70873-7002		
44144-0013	8	8	C	PK-70873-7002		
44144-0014	6	4	C	PK-70873-7001		
44144-0015	6	6	C	PK-70873-7001	NA	
44144-0016	8	4	C	PK-70873-7001	2,3,6,7	
44144-0017	6	2	A	PK-70873-7001	NA	
44144-0018	6	2	B	PK-70873-7001		
44144-0019	6	2	C	PK-70873-7001		
44144-0023	8	2	A	PK-70873-7002	NA	

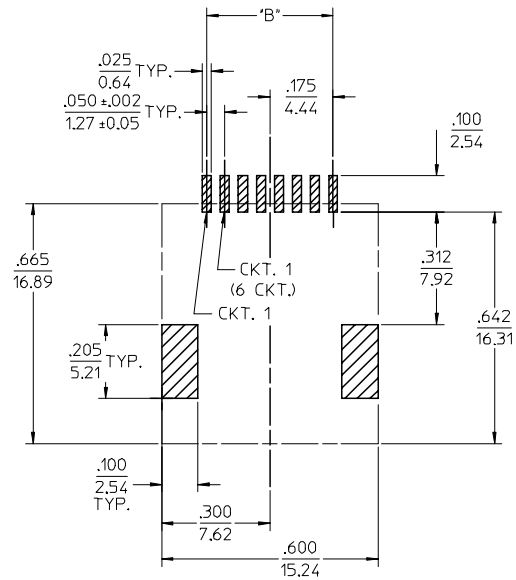
2	G
1	H4
SH	REV

REVISED NOTES EC NO: UCP2009-1244 DRWN:JKLOSTEMEIER2008/12/10 CHKD:JBELL 2008/12/10 APPR:FSMITH 2008/12/10	QUALITY SYMBOLS ▽=0 ▽=0	GENERAL TOLERANCES (UNLESS SPECIFIED)		DIMENSION STYLE IN/MM	SCALE 4:1	DESIGN UNITS INCH	THIRD ANGLE PROJECTION
		4 PLACES ± --- ± --- 3 PLACES ± --- ± .010 2 PLACES ± 0.25 ± .015 1 PLACE ± 0.38 ± ---	DRAWN BY MUELLER	DATE 98/03/13	TITLE 4, 6, 8 CIRCUIT SMT MODULAR JACK W/ FLUSH FITTING NAILS		
		ANGULAR ±1/2°	CHECKED BY ROBERTS	DATE 98/03/16	MOLEX INCORPORATED		
		DRAFT WHERE APPLICABLE MUST REMAIN WITHIN DIMENSIONS	APPROVED BY R EDGLEY	DATE 98/03/17	MATERIAL NO. SEE CHART	DOCUMENT NO. SD-44144-001	SHEET NO. 1 OF 2

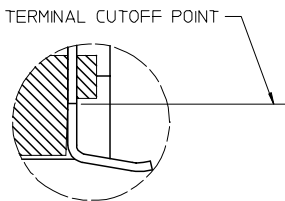
THIS DRAWING CONTAINS INFORMATION THAT IS PROPRIETARY TO MOLEX INCORPORATED AND SHOULD NOT BE USED WITHOUT WRITTEN PERMISSION



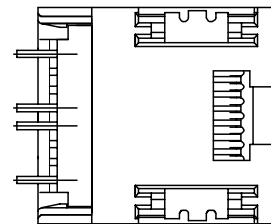
PCB LAYOUT FOR CONNECTOR SIZE 6
(COMPONENT SIDE OF BOARD)



PCB LAYOUT FOR CONNECTOR SIZE 8
(COMPONENT SIDE OF BOARD)



VIEW SHOWING TYPICAL TERMINAL
CUTOFF OF TAIL (SEE NOTE 5) FOR VOIDED CIRCUITS.



TYPICAL VIEW SHOWING VOIDED CIRCUIT
44144-0016 SHOWN

SEE SHEET ONE EC NO: UCP2004-0798 DRW:LSCHMIDT 2004/01/05 CHKD:LSCHMIDT 2004/01/05 APPR:FSMITH 2004/01/08	QUALITY SYMBOLS	GENERAL TOLERANCES (UNLESS SPECIFIED)	SCALE 4:1	DESIGN UNITS INCH	THIRD ANGLE PROJECTION	REVISE ON CAD ONLY	
	DESCRIPTION ▽ = 0 ▽ = 0	mm	INCH	DIMENSION STYLE IN/MM		TITLE	
		4 PLACES ± .005	± .005	DRAWN BY DSTAMBAU	DATE 00/04/07	4, 6, 8 CIRCUIT SMT MODULAR JACK W/ FLUSH FITTING NAILS MOLEX INCORPORATED	
		3 PLACES ± .010	± .010	CHECKED BY BWIRKUS	DATE 00/04/07		
2 PLACES ± 0.25	± .015	APPROVED BY R EDGLEY	DATE 00/04/07	MATERIAL NO. SEE CHART	DOCUMENT NO. SD-44144-001	SHEET NO. 2 OF 2	
1 PLACE ± 0.38	± .020	ANGULAR ±1/2°	DRAFT WHERE APPLICABLE MUST REMAIN WITHIN DIMENSIONS THIS DRAWING CONTAINS INFORMATION THAT IS PROPRIETARY TO MOLEX INCORPORATED AND SHOULD NOT BE USED WITHOUT WRITTEN PERMISSION				