

PLEASE CHECK WWW.MOLEX.COM FOR LATEST PART INFORMATION

Part Number: [0483361001](#)
Status: **Active**
Overview: [slimline serial ata odd connectors](#)
Description: SLIMLINE SATA REC. REVERSE SMT WITH CLIP

Documents:

[3D Model](#) [Product Specification PS-48321-001 \(PDF\)](#)
[Drawing \(PDF\)](#) [RoHS Certificate of Compliance \(PDF\)](#)

Agency Certification

CSA LR19980
 UL E29179

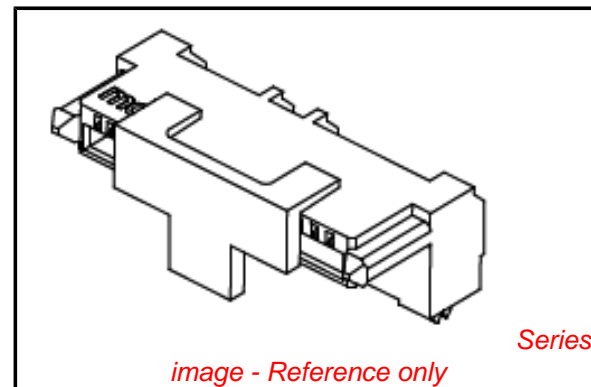
General

Product Family PCB Receptacles
 Series [48336](#)
 Application Board-to-Board
 Comments Reverse SMT Type, with Clip
 Overview [slimline serial ata odd connectors](#)
 Product Name Serial ATA, Slimline Serial ATA

Physical

Circuits (Loaded) 13
 Circuits (maximum) 13
 Color - Resin Black
 Durability (mating cycles max) 500
 Flammability 94V-0
 Glow-Wire Compliant No
 Guide to Mating Part Yes
 Keying to Mating Part Yes
 Lock to Mating Part No
 Material - Metal Copper Alloy
 Material - Plating Mating Gold
 Material - Plating Termination Tin
 Material - Resin High Temperature Thermoplastic
 Number of Rows 1
 Orientation Right Angle
 PCB Locator No
 PCB Retention Yes
 Packaging Type Embossed Tape on Reel
 Pitch - Mating Interface (in) 0.039 In, 0.050 In
 Pitch - Mating Interface (mm) 1.00 mm, 1.27 mm
 Pitch - Term. Interface (in) 0.039 In, 0.050 In
 Pitch - Term. Interface (mm) 1.00 mm, 1.27 mm
 Plating min: Mating (µin) 2
 Plating min: Mating (µm) 0.05
 Plating min: Termination (µin) 100
 Plating min: Termination (µm) 2.54
 Polarized to Mating Part Yes
 Polarized to PCB Yes
 Robotic Placement Pick and Place Cap
 Stackable No
 Temperature Range - Operating -40°C to +85°C
 Termination Interface: Style Surface Mount

Electrical



EU RoHS

**ELV and RoHS
 Compliant**
**REACH SVHC
 Not Reviewed**
**Halogen-Free
 Status
 Not Reviewed**

China RoHS



**Need more information on product
 environmental compliance?**

Email productcompliance@molex.com
 For a multiple part number RoHS Certificate of
 Compliance, [click here](#)

Please visit the [Contact Us](#) section for any
 non-product compliance questions.

Search Parts in this Series

[48336Series](#)

Mates With

[473001xxx Slimline Serial ATA Plugs](#)

Current - Maximum per Contact	1A
Grounding to PCB	Yes
Voltage - Maximum	15V (RMS)

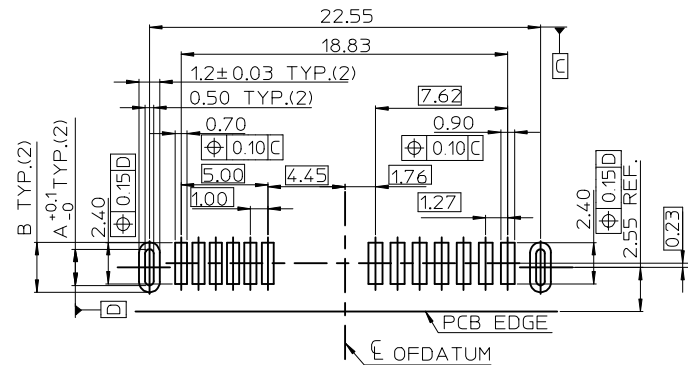
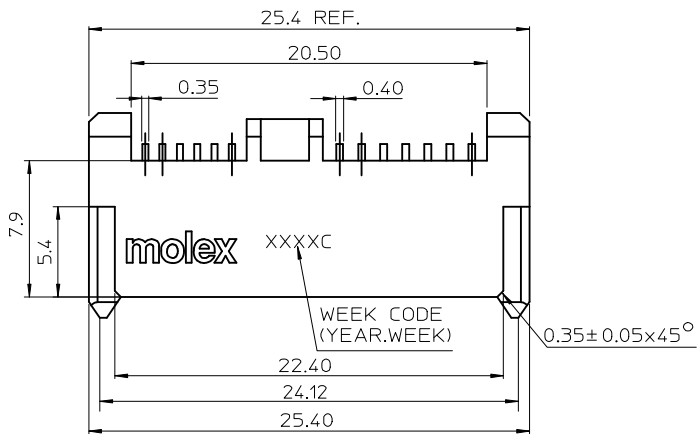
Material Info

Reference - Drawing Numbers

Packaging Specification	PK-48336-001
Product Specification	PS-48321-001
Sales Drawing	SD-48336-001

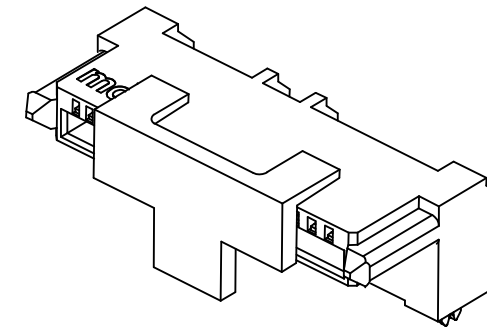
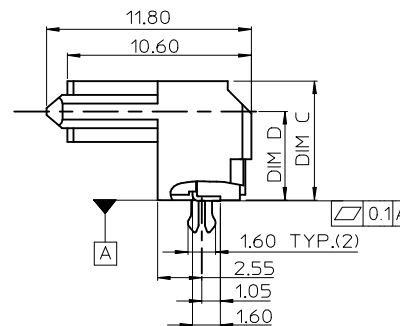
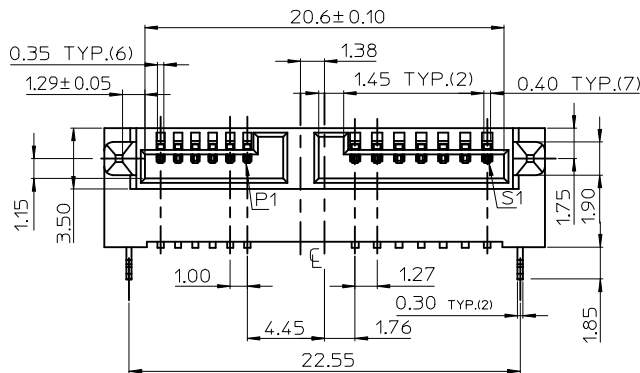
This document was generated on 05/31/2010

PLEASE CHECK WWW.MOLEX.COM FOR LATEST PART INFORMATION



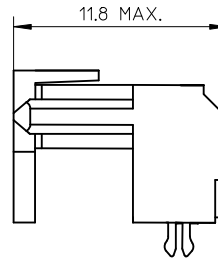
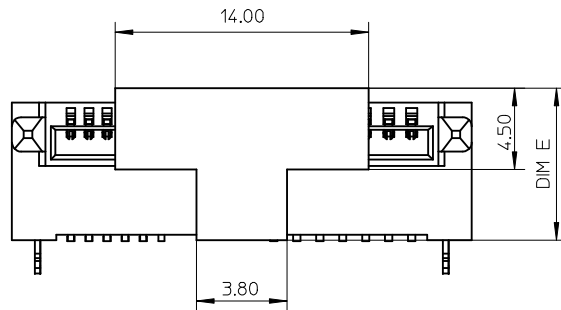
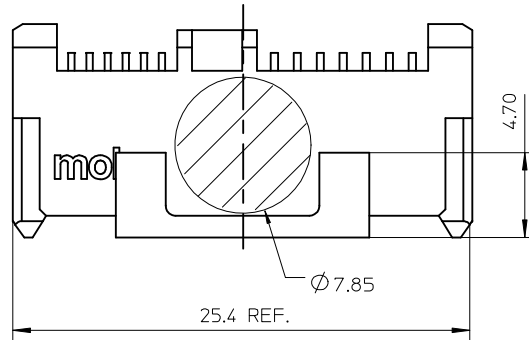
CLIP FUNCTION AVAIABLE		CLIP FUNCTION UNAVAILABLE	
DIM A	DIM B	DIM A	DIM B
1.40	2.10	1.75	2.45

RECOMMENDED PC BOARD LAYOUT
TOLERANCE: ± 0.05 mm(TOP VIEW)



RELEASE EC NO: SH2009-0357 DRW: F YANG05 CHK: DMZHANG02 APPR: HWANG	DESCRIPTION 2008/12/12 2008/12/12 2008/12/16	QUALITY SYMBOLS	GENERAL TOLERANCES (UNLESS SPECIFIED)	DIMENSION STYLE	SCALE	DESIGN UNITS	THIRD ANGLE PROJECTION														
		$\nabla = 0$ $\nabla C = 0$	<table border="1"> <thead> <tr> <th></th> <th>mm</th> <th>INCH</th> </tr> </thead> <tbody> <tr> <td>4 PLACES</td> <td>\pm ---</td> <td>\pm ---</td> </tr> <tr> <td>3 PLACES</td> <td>± 0.10</td> <td>\pm ---</td> </tr> <tr> <td>2 PLACES</td> <td>± 0.15</td> <td>\pm ---</td> </tr> <tr> <td>1 PLACE</td> <td>± 0.25</td> <td>\pm ---</td> </tr> </tbody> </table>		mm	INCH	4 PLACES	\pm ---	\pm ---	3 PLACES	± 0.10	\pm ---	2 PLACES	± 0.15	\pm ---	1 PLACE	± 0.25	\pm ---	MM ONLY	METRIC	∇
			mm	INCH																	
		4 PLACES	\pm ---	\pm ---																	
3 PLACES	± 0.10	\pm ---																			
2 PLACES	± 0.15	\pm ---																			
1 PLACE	± 0.25	\pm ---																			
DRAFT WHERE APPLICABLE MUST REMAIN WITHIN DIMENSIONS	DRAWN BY LINDA CHECKED BY DMZHANG02 APPROVED BY HWANG	DATE 2008/7/25 DATE 2008/7/31 DATE 2008/7/31	TITLE SLIMLINE SATA RECEPTACLE REVERSE SMT TYPE WITH CLIP																		
B	REV	MATERIAL NO. SEE TABLE	MOLEX INCORPORATED DOCUMENT NO. SD-48336-001	SHEET NO. 1 OF 2																	

P/N	PLATING OPTIONS	DIM C	DIM D	DIM E	WITHSTANDING MFG TEST
48336-1001	GOLD FLASH	7.10	5.35	7.90	NO
48336-1002	15 MICROINCH				NO
48336-1003	30 MICROINCH				YES
48336-2001	GOLD FLASH	7.60	5.85	8.40	NO
48336-2002	15 MICROINCH				NO
48336-2003	30 MICROINCH				YES



NOTES:

1.MATERIAL:

HOUSING & CAP:LIQUID CRYSTAL POLYMER,GLASS FIBER FILLED,
UL94V-0,COLOR:BLACK.

TERMINAL:COPPER ALLOY.
CLIP:COPPER ALLOY.

2.PLATING:

TERMINAL:

CONTACT AREA:SEE TABLE

SOLDER TAIL:MATTE TIN,THICKNESS=100 MICROINCH MIN/2.54 MICROMETER MIN.
UNDER PLATE:NICKEL(Ni),THICKNESS=50 MICROINCH MIN/1.27 MICROMETER MIN.

CLIP:TIN(Sn),THICKNESS=100 MICROINCH MIN/2.54 MICROMETER MIN.

3. PICK & PLACE VACUUM AREA.

4.RECOMMENDED PCB THICKNESS:1.20±0.05mm

5.PRODUCT SPECIFICATION REFER TO PS-48321-001

6.TEST SUMMARY:

48336-1003 REFER TO TS-48336-103

48336-2003 REFER TO TS-48336-203

7.PACKAGING SPECIFICATION REFER TO PK-48336-001

8.LEAD FREE & RoHS COMPLIANT PRODUCT.

RELEASE EC NO: SH2009-0357 DRW: F YANG05 CHKD: APPR: H WANG 2008/12/12 2008/12/12 2008/12/16	QUALITY SYMBOLS ▽=0 ◻=0	GENERAL TOLERANCES (UNLESS SPECIFIED)		DIMENSION STYLE MM ONLY		SCALE 1:1	DESIGN UNITS METRIC	THIRD ANGLE PROJECTION		
			mm	INCH	DRAWN BY	DATE	TITLE SLIMLINE SATA RECEPTACLE REVERSE SMT TYPE WITH CLIP			
		4 PLACES	± ---	± ---	LINDA	2008/7/25				
		3 PLACES	± 0.10	± ---	CHECKED BY	DATE	MOLEX INCORPORATED DOCUMENT NO.			
2 PLACES	± 0.15	± ---	DMZHANG02	2008/7/31						
1 PLACE	± 0.25	± ---	APPROVED BY	DATE	SHEET NO. 2 OF 2					
ANGULAR ± 3 °			HWWANG	2008/7/31						
DRAFT WHERE APPLICABLE MUST REMAIN WITHIN DIMENSIONS		SEE TABLE		MATERIAL NO.		SD-48336-001				
				SIZE A3		THIS DRAWING CONTAINS INFORMATION THAT IS PROPRIETARY TO MOLEX INCORPORATED AND SHOULD NOT BE USED WITHOUT WRITTEN PERMISSION				