

**PLEASE CHECK WWW.MOLEX.COM FOR LATEST PART INFORMATION**

**Part Number:** [0681141561](#)  
**Status:** **Active**  
**Description:** High Density D-Subminiature Shielded I/O PCB Female Receptacle, Right Angle, 15 Circuits, Standard Nut, Lead Free

**Documents:**

[3D Model](#) [Product Specification PS-68114-002 \(PDF\)](#)  
[Drawing \(PDF\)](#) [RoHS Certificate of Compliance \(PDF\)](#)

**General**

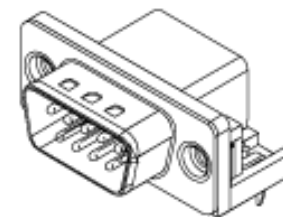
Product Family	I/O Connectors
Series	68114
Application	Wire-to-Board
Component Type	Plug
Product Name	D-Sub
Type	N/A

**Physical**

Boot Color	N/A
Circuits (Loaded)	15
Circuits (maximum)	15
Durability (mating cycles max)	500
Gender	Receptacle
Keying to Mating Part	None
Lock to Mating Part	No
Material - Plating Mating	Gold
Number of Rows	3
Orientation	Right Angle
PC Tail Length (in)	0.130 In
PC Tail Length (mm)	3.30 mm
PCB Locator	Yes
PCB Retention	Yes
PCB Thickness Recommended (in)	0.063 In
PCB Thickness Recommended (mm)	1.60 mm
Packaging Type	Tray
Panel Mount	Yes
Pitch - Mating Interface (in)	0.090 In
Pitch - Mating Interface (mm)	2.29 mm
Pitch - Term. Interface (in)	0.090 In
Pitch - Term. Interface (mm)	2.29 mm
Polarized to Mating Part	Yes
Polarized to PCB	Yes
Ports	1
Surface Mount Compatible (SMC)	No
Temperature Range - Operating	-55°C to +125°C
Termination Interface: Style	Through Hole
Waterproof / Dustproof	No
Wire Insulation Diameter	N/A
Wire Size AWG	N/A

**Electrical**

Current - Maximum per Contact	3A
Grounding to Panel	Yes
Shield Type	Full Shield
Shielded	Yes
Voltage - Maximum	350V AC (RMS)/DC



*image - Reference only*

*Series*

**EU RoHS**

**ELV and RoHS  
Compliant**  
**REACH SVHC**  
 Not Reviewed  
**Halogen-Free  
Status**

**China RoHS**



**Not Reviewed**

**Need more information on product  
environmental compliance?**

Email [productcompliance@molex.com](mailto:productcompliance@molex.com)  
 For a multiple part number RoHS Certificate of Compliance, [click here](#)

Please visit the [Contact Us](#) section for any non-product compliance questions.

**Search Parts in this Series**

68114Series

**Material Info**

**Reference - Drawing Numbers**

Product Specification

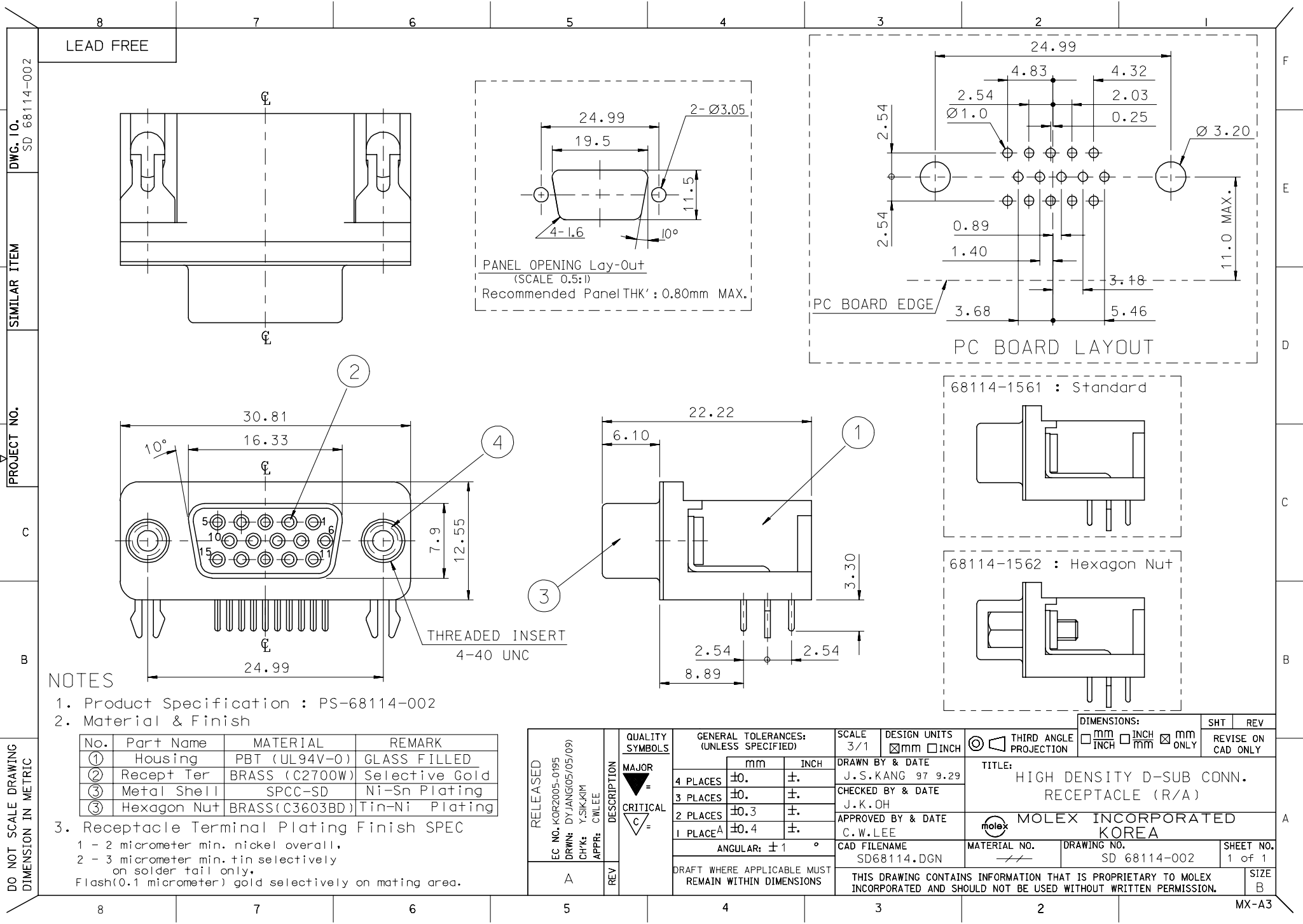
PS-68114-002

Sales Drawing

SD-68114-002

This document was generated on 06/07/2010

**PLEASE CHECK [WWW.MOLEX.COM](http://WWW.MOLEX.COM) FOR LATEST PART INFORMATION**



**NOTES**

- 1. Product Specification : PS-68114-002
- 2. Material & Finish

No.	Part Name	MATERIAL	REMARK
①	Housing	PBT (UL94V-0)	GLASS FILLED
②	Recept Ter	BRASS (C2700W)	Selective Gold
③	Metal Shell	SPCC-SD	Ni-Sn Plating
④	Hexagon Nut	BRASS(C3603BD)	Tin-Ni Plating

- 3. Receptacle Terminal Plating Finish SPEC
- 1 - 2 micrometer min. nickel overall.
- 2 - 3 micrometer min. tin selectively on solder tail only.
- Flash(0.1 micrometer) gold selectively on mating area.

RELEASED EC NO.: KOR2005-0195 DRWN: DYJANG(05/05/09) CHK: Y.SIK/KIM APPR: CWLEE	DESCRIPTION	QUALITY SYMBOLS	GENERAL TOLERANCES: (UNLESS SPECIFIED)	SCALE 3/1	DESIGN UNITS <input checked="" type="checkbox"/> mm <input type="checkbox"/> INCH	THIRD ANGLE PROJECTION <input checked="" type="checkbox"/> mm <input type="checkbox"/> INCH <input type="checkbox"/> mm ONLY	SHT	REV
		MAJOR = CRITICAL =	4 PLACES ±0. INCH 3 PLACES ±0. INCH 2 PLACES ±0.3 INCH 1 PLACE ±0.4 INCH	DRAWN BY & DATE J.S.KANG 97 9.29	TITLE: HIGH DENSITY D-SUB CONN. RECEPTACLE (R/A)			
A	REV		ANGULAR: ±1 °	CHECKED BY & DATE J.K.OH	APPROVED BY & DATE C.W.LEE	MOLEX INCORPORATED KOREA		
DRAFT WHERE APPLICABLE MUST REMAIN WITHIN DIMENSIONS				CAD FILENAME SD68114.DGN	MATERIAL NO.	DRAWING NO. SD 68114-002	SHEET NO. 1 of 1	SIZE B

DO NOT SCALE DRAWING DIMENSION IN METRIC

DWG. 10.  
SD 68114-002

SIMILAR ITEM

PROJECT NO.

B

C

D

E

F

F

E

D

C

B

A