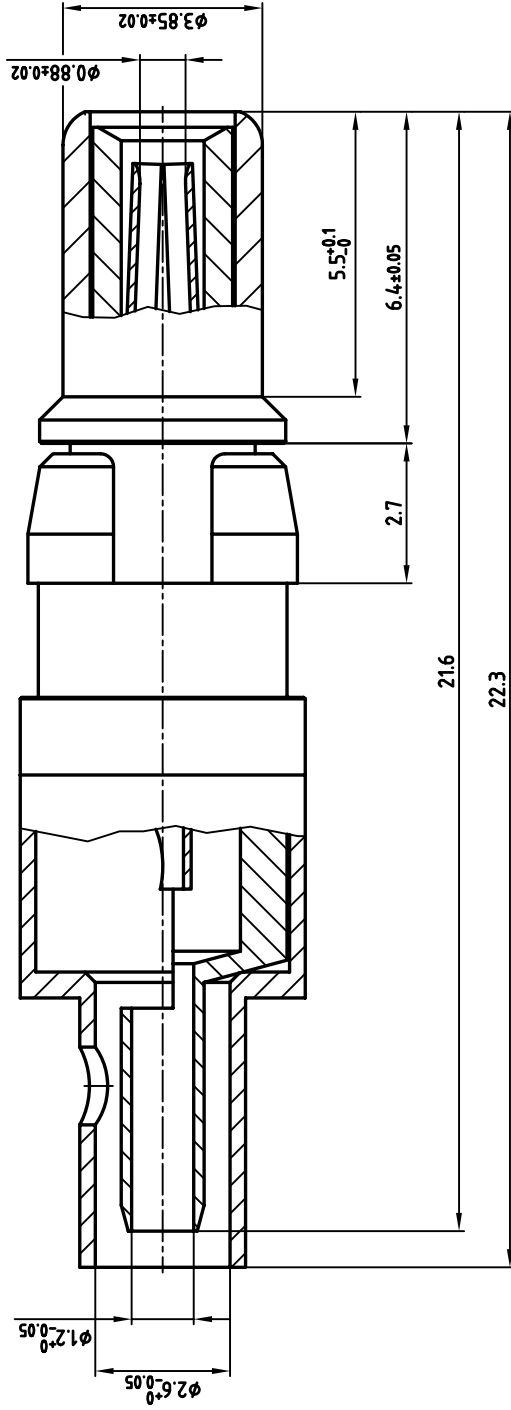


used for: D-SUB COMBINATION



tolerance		scale: 10:1	
material:		material:	
2001	date	name	title:
drawn	18.09.	E. Mickenbecker	<b>COAXIAL CONTACT PLUG 50 OHM</b>
appd.	18.09.	A. Mickenbecker	inner conductor for solder termination
norm			outer conductor crimp or solder termination
to-oid			AutoCAD 2000 DIN-A
rev. description		dwg no: 13K2IV6A	
date		part no: 131J20019X	
name		sh:2/2	
<b>CONEC®</b>			

THIS DRAWING MAY NOT BE COPIED OR REPRODUCED IN ANY WAY, AND MAY NOT BE PASSED ON TO A THIRD PARTY WITHOUT WRITTEN PERMISSION. OWNERSHIP AND COPYRIGHT OF CONEC GMBH DO NOT ALTER CAD DRAWING BY HAND