

PLEASE CHECK WWW.MOLEX.COM FOR LATEST PART INFORMATION

Part Number: [0681512025](#)
Status: **Active**
Description: 2.50mm (.098") Pitch Wire-to-Board Header, 1.02mm (.040") Tab, Right Angle , 20 Circuits, Gray

Documents:

[3D Model](#) [Product Specification PS-68145-002 \(PDF\)](#)
[Drawing \(PDF\)](#) [RoHS Certificate of Compliance \(PDF\)](#)

General

Product Family	PCB Headers
Series	68151
Application	Wire-to-Board
Product Name	N/A

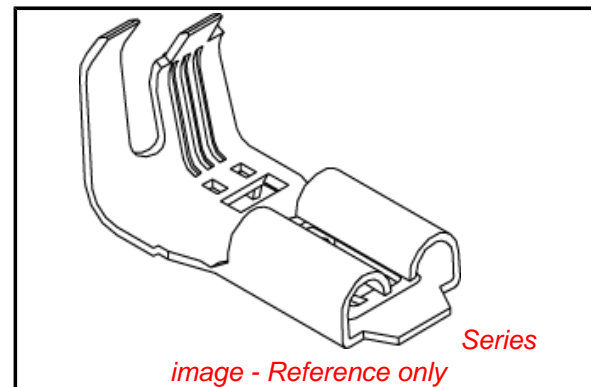
Physical

Breakaway	No
Circuits (Loaded)	20
Circuits (maximum)	20
Color - Resin	Gray
Durability (mating cycles max)	50
First Mate / Last Break	No
Glow-Wire Compliant	No
Guide to Mating Part	No
Keying to Mating Part	None
Lock to Mating Part	Yes
Material - Metal	Brass
Material - Plating Mating	Tin
Material - Plating Termination	Tin
Material - Resin	Polyester
Number of Rows	2
Orientation	Right Angle
PC Tail Length (in)	0.157 In
PC Tail Length (mm)	4.00 mm
PCB Locator	Yes
PCB Retention	Yes
PCB Thickness Recommended (in)	0.062 In
PCB Thickness Recommended (mm)	1.60 mm
Packaging Type	Tray
Pitch - Mating Interface (in)	0.098 In
Pitch - Mating Interface (mm)	2.50 mm
Plating min: Mating (µin)	32
Plating min: Mating (µm)	0.8
Plating min: Termination (µin)	32
Plating min: Termination (µm)	0.8
Shrouded	Partial
Stackable	No
Surface Mount Compatible (SMC)	No
Temperature Range - Operating	-30°C to +85°C
Termination Interface: Style	Through Hole

Electrical

Current - Maximum per Contact	5A
Voltage - Maximum	12V

Material Info



EU RoHS

**ELV and RoHS
Compliant**
REACH SVHC
 Not Reviewed
**Halogen-Free
Status**

China RoHS



**Need more information on product
environmental compliance?**

Email productcompliance@molex.com
 For a multiple part number RoHS Certificate of Compliance, [click here](#)

Please visit the [Contact Us](#) section for any non-product compliance questions.

Search Parts in this Series

[68151Series](#)

Mates With

[35564 Wire-to-Board Housing](#)

Reference - Drawing Numbers

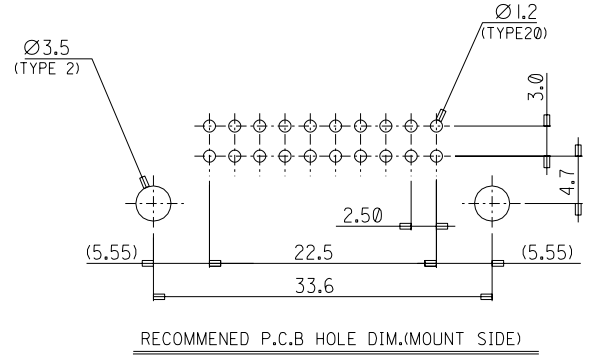
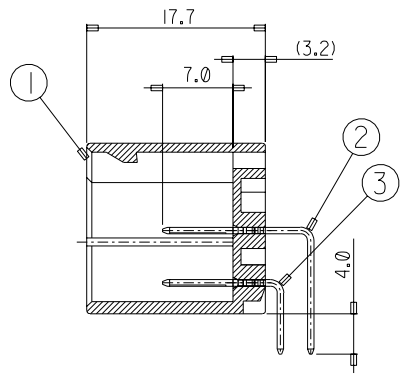
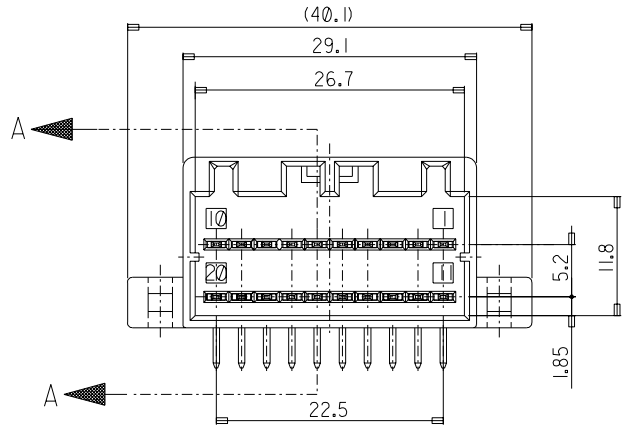
Product Specification
Sales Drawing

PS-68145-002
SD-68151-002

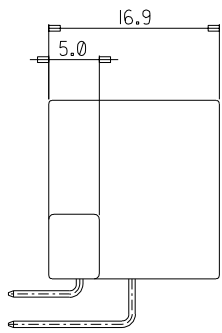
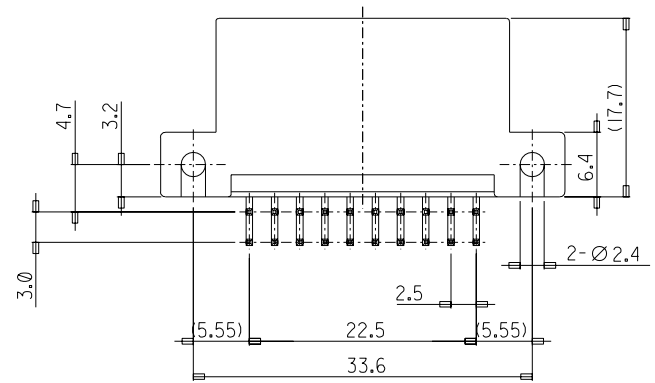
This document was generated on 04/07/2010

PLEASE CHECK WWW.MOLEX.COM FOR LATEST PART INFORMATION

NO.	PART NO.	COLOR
1	68151-2025	GRAY
2	68151-2026	WHITE



SECT.A-A



NOTES

1. APPLICABLE FEMALE HOUSING : 35564-201*
2. MATERIAL: SEE TABLE

NO.	DESCRIPTION	MATERIAL	REMARK
1	HOUSING	PBT	UL94HB
2	PIN(L)	BRASS	PRE-TIN PLATED
3	PIN(S)		

DWG. NO. SD-68151-002

SIMILAR ITEM

PROJECT NO.

C

B

DO NOT SCALE DRAWING
DIMENSION IN METRIC

NEW RELEASED EC NO. KOR2003-0128 DRWN: B.C.YOON 02/11/28 CHK: Y.SIK.KIM APPR: C.W.LEE	QUALITY SYMBOLS MAJOR CRITICAL	GENERAL TOLERANCES: (UNLESS SPECIFIED)		SCALE 2:1	DESIGN UNITS <input checked="" type="checkbox"/> mm <input type="checkbox"/> INCH	THIRD ANGLE PROJECTION	DIMENSIONS: <input type="checkbox"/> mm <input type="checkbox"/> INCH <input checked="" type="checkbox"/> mm ONLY	SHT	REV	
		4 PLACES	±0.	±.	DRAWN BY & DATE Y.SIK.KIM 99/04/29		TITLE: 040 WIRE TO BOARD CONNECTOR 20P HEADER ASS'Y (R/A-TYPE)			
		3 PLACES	±0.	±.	CHECKED BY & DATE B.K.CHOI 99/04/29		MOLEX MOLEX INCORPORATED			
A	REV	ANGULAR: ± 1 °		APPROVED BY & DATE C.W.LEE 99/04/30		CAD FILENAME sd68151a.dgn	MATERIAL NO. 681512025	DRAWING NO. SD-68151-002	SHEET NO. 1 OF 1	
DRAFT WHERE APPLICABLE MUST REMAIN WITHIN DIMENSIONS				THIS DRAWING CONTAINS INFORMATION THAT IS PROPRIETARY TO MOLEX INCORPORATED AND SHOULD NOT BE USED WITHOUT WRITTEN PERMISSION.					SIZE B	