

**PLEASE CHECK WWW.MOLEX.COM FOR LATEST PART INFORMATION**

**Part Number:** [0714330010](#)  
**Status:** **Active**  
**Overview:** [ultra\\_vhdc](#)  
**Description:** VHDCI Female Screwlock, M2-by-0.4mm Internal Thread

**Documents:**

[Drawing \(PDF\)](#) [RoHS Certificate of Compliance \(PDF\)](#)

**General**

Product Family	Accessories
Series	<a href="#">71433</a>
Component Type	Screw
Overview	<a href="#">ultra_vhdc</a>
Product Name	VHDCI

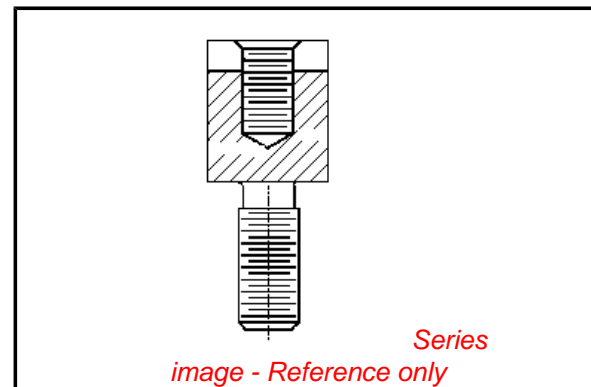
**Physical**

Circuits (Loaded)	N/A
Gender	Female
Lock to Mating Part	Yes
Material - Metal	Steel
Number of Rows	0
Packaging Type	Bag

**Material Info**

**Reference - Drawing Numbers**

Sales Drawing	SD-71433-010
---------------	--------------



**EU RoHS**

**RoHS Compliant by Exemption**

**REACH SVHC**

Not Reviewed

**Halogen-Free**

**Status**

**Not Reviewed**

**Need more information on product environmental compliance?**

Email [productcompliance@molex.com](mailto:productcompliance@molex.com)  
 For a multiple part number RoHS Certificate of Compliance, [click here](#)

Please visit the [Contact Us](#) section for any non-product compliance questions.

**China RoHS**



Pb

**Search Parts in this Series**

[71433Series](#)

**Use With**

[74337](#) Ultra+™ VHDCI Wire-to-Board Receptacle. [71430](#) Ultra+™ VHDCI Receptacle

**PLEASE CHECK WWW.MOLEX.COM FOR LATEST PART INFORMATION**

13 12 11 10 9 8 7 6 5 4 3 2 1

J

I

H

G

F

E

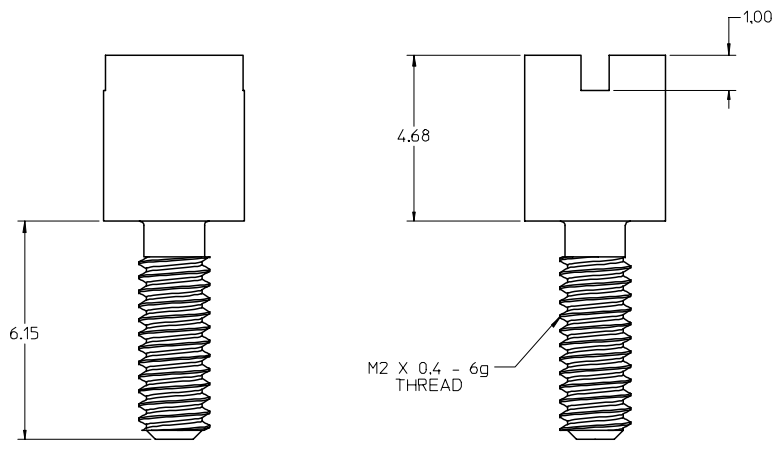
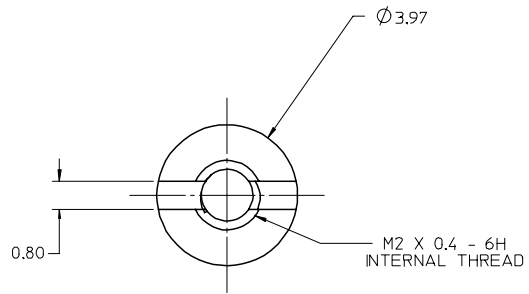
D

C

B

A

- NOTES:  
 1. MATERIAL: HOT ROLLED STEEL.  
 2. FINISH: BRIGHT NICKEL OVERALL.  
 3. PACKAGING: 200 PARTS TO BE BULK PACKED IN BAGS.



INITIAL RELEASE EC NO: UCP2007-2550 DRAWN BY: BARRA 2007/05/15 CHKD: BBARKER 2007/05/17 APPR: SMILLER 2007/05/18 REV: A1	QUALITY SYMBOLS ▽=0 ▽=0	GENERAL TOLERANCES (UNLESS SPECIFIED)		DIMENSION STYLE MM ONLY		SCALE 10:1	DESIGN UNITS METRIC	THIRD ANGLE PROJECTION			
		4 PLACES ± --- ± ---	3 PLACES ± --- ± ---	2 PLACES ± 0.13 ± ---	1 PLACE ± --- ± ---	ANGULAR ±1/2°	DRAWN BY MIBARRA	DATE 2007/04/09	TITLE VHDCI M2 X 0.4MM FEMALE ROUND SCREWLOCK		
				CHECKED BY BBARKER	DATE 2007/04/09	APPROVED BY SMILLER		DATE 2007/04/09	MOLEX INCORPORATED		
		DRAFT WHERE APPLICABLE MUST REMAIN WITHIN DIMENSIONS		MATERIAL NO. 71433-0010	DOCUMENT NO. SD-71433-010		SHEET NO. 1 OF 1				

12 11 10 9 8 7 6 5 4 3 2 1