

Specifications

Insulation Resistance: 500MΩ min.
 Withstanding Voltage: 250V AC rms for 1 minute
 Contact Resistance: 35mΩ max.
 Current Rating: 1A
 Operating Temp. Range: -55°C to +105°C



Materials and Finish

Housing: PBT (glass filled), UL94V-0
 Contacts: Phosphor Bronze
 Plating: Mating Face - Gold over Nickel
 IDC Terminals - Solder over Nickel



Features

⇨ Half pitch interface connector with SCSI-II pin type contacts

Part Number (Details)

NHS 068T3 - 000 - BS *

Series (socket)

No. of Leads

Terminal Type:

0 = IDC for Flat Cable

Contact Plating:

B = Mating Face Cont. - Au (15μ") over Ni

S = IDC Terminals - Solder over Ni

Tapping Dimensions:

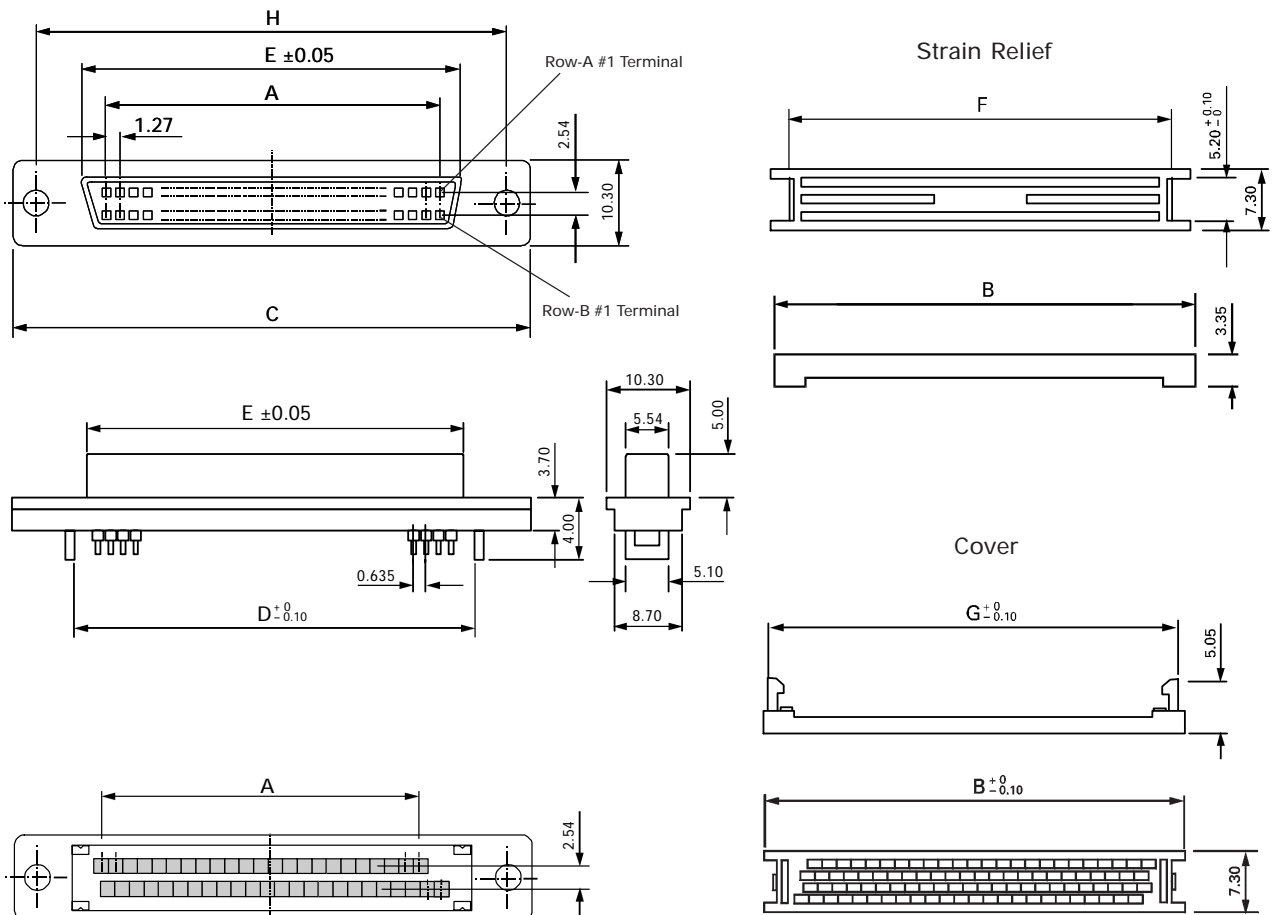
0 = 4-40 UNC

1 = 2-56 UNC

Applicable Cables

0.635mm pitch flat cable, AWG 30 (7/0.1) stranded wire. (e.g. FLEX-*2*, see Section E)

Outline Socket Dimensions



Part Number	No. of Leads	A	B	C	D	E	F	G	H
NHS068T3-000-BS*	68	41.91	51.50	63.88	49.30	46.13	47.10	49.20	57.91

Specifications

Insulation Resistance: 500MΩ min.
 Withstanding Voltage: 250V AC rms for 1 minute
 Contact Resistance: 35mΩ max.
 Current Rating: 1A
 Operating Temp. Range: -55°C to +105°C



Materials and Finish

Housing: PBT (glass filled), UL94V-0
 Contacts: Phosphor Bronze
 Plating: Mating Face - Gold over Nickel
 IDC Terminals - Solder over Nickel



Features

⇨ Half pitch interface connector with SCSI-II pin type contacts

Part Number (Details)

NHS 068T - 000 - BS *

Series (socket)

No. of Leads

Terminal Type:

0 = IDC for Flat Cable

Contact Plating:

B = Mating Face Cont.- Au (15μ") over Ni

S = IDC Terminals - Solder over Ni

Tapping Dimensions:

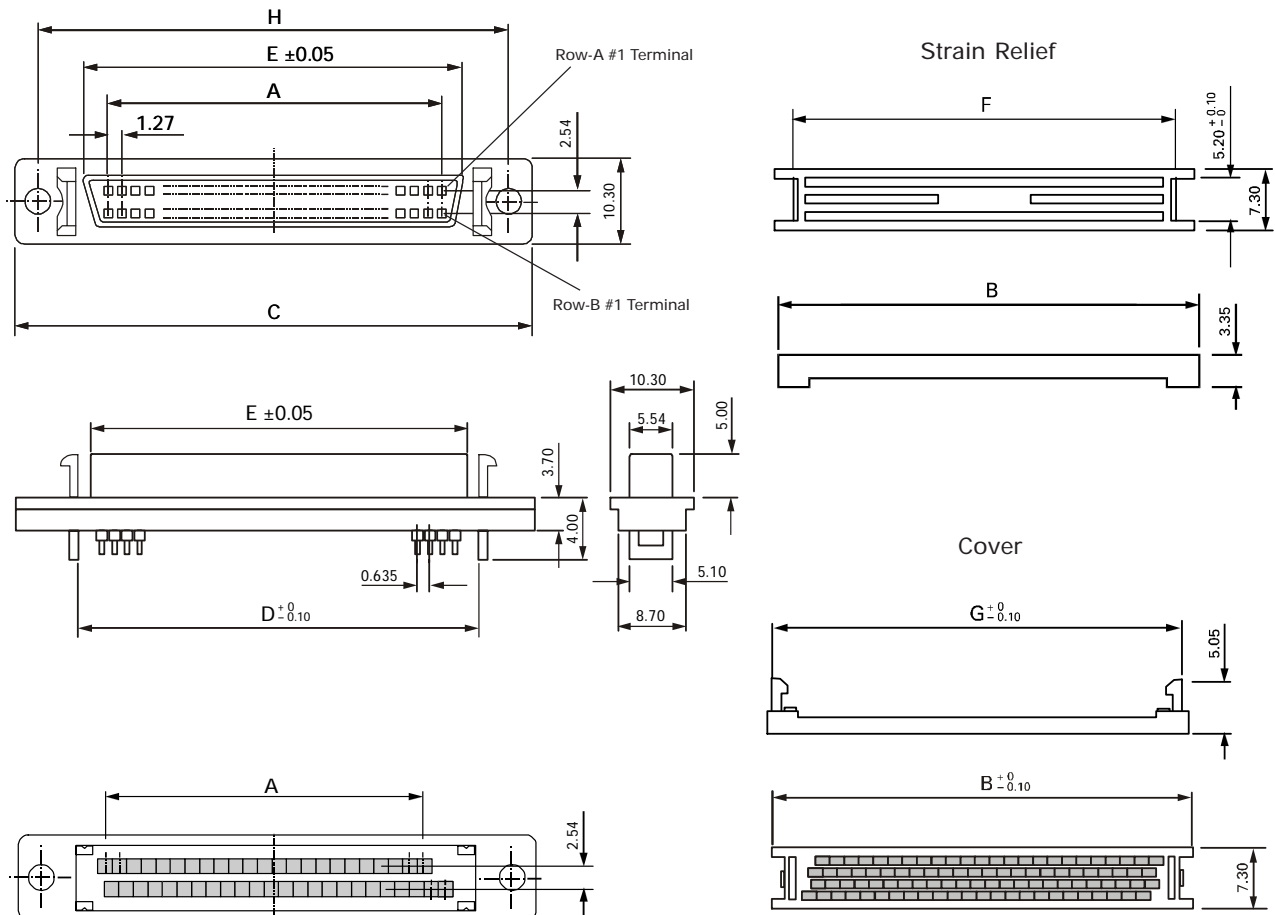
0 = 4-40UNC

1 = 2-56 UNC with Latch Blocks

Applicable Cables

0.635mm pitch flat cable, AWG 30 (7/0.1) stranded wire. (e.g. FLEX-*2*, see Section E)

Outline Socket Dimensions



Part Number	No. of Leads	A	B	C	D	E	F	G	H
NHS068T-000-BS*	68	41.91	51.50	63.88	49.30	46.13	47.10	49.20	57.91