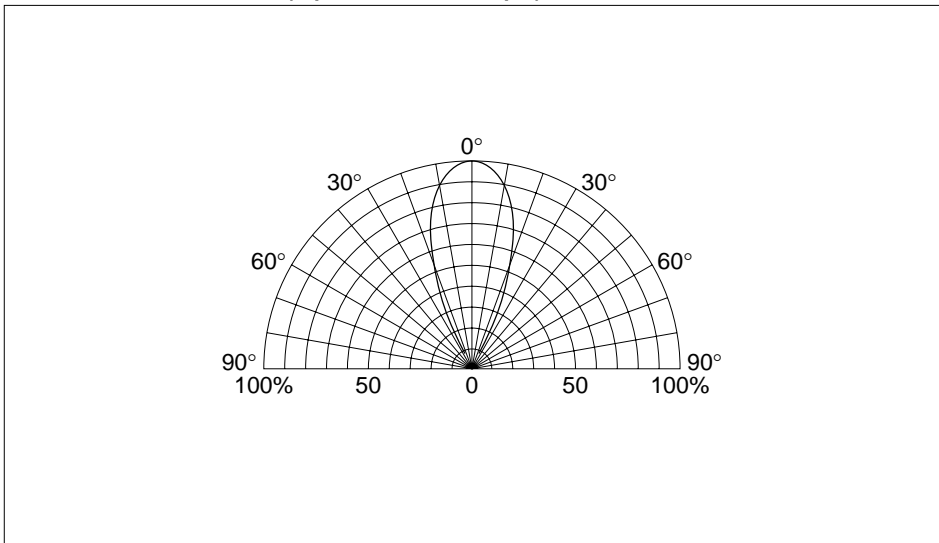


■5φ Round LEDs

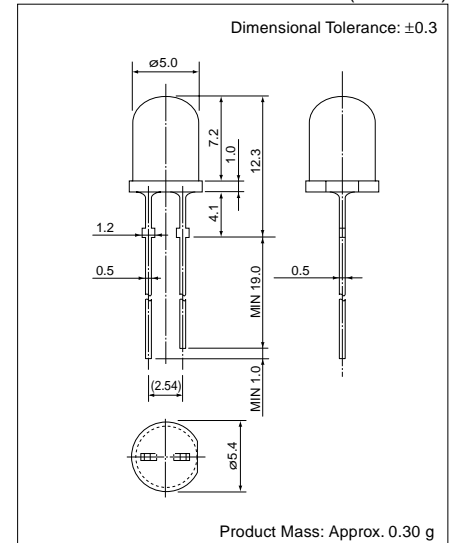
SEL1062 Series

Part Number	Emitting Color	Lens Color	Forward Voltage		Conditions IF (mA)	Luminous Intensity		Peak Wavelength		Dominant Wavelength		Spectrum Half Bandwidth		Chip Material
			V _F (V) TYP	MAX		I _v (mcd) TYP	Conditions IF (mA)	λ _P (nm) TYP	Conditions IF (mA)	λ _d (nm) TYP	Conditions IF (mA)	Δλ (nm) TYP	Conditions IF (mA)	
SELT1E62CMKT	Blue	Water clear	3.1	4.0	20	3500	20	458	20	465	20	25	25	InGaN
SELT1WA62CMKT	White		Chromaticity: x=0.300, y=0.295											InGaN
SELT1WC62CMKT	Bulb Light		Chromaticity: x=0.452, y=0.412											InGaN
SELT1WD62CMKT	Fancy blue green		Chromaticity: x=0.170, y=0.365											InGaN
SELT1WE62CMKT	Light pink		Chromaticity: x=0.356, y=0.289											InGaN
SELT1WF62CMKT	Light blue green		Chromaticity: x=0.200, y=0.300											InGaN
SELT1WH62CMKT	Fancy green		Chromaticity: x=0.260, y=0.460											InGaN
SELT1WJ62CMKT	Fancy pink		Chromaticity: x=0.382, y=0.268											InGaN
SELT1WK62CMKT	Fancy red purple		Chromaticity: x=0.421, y=0.221											InGaN

Directional Characteristics (representative example)



External Dimensions (Unit: mm)



5-1 Visible Light LEDs

Absolute Maximum Ratings

●Visible Light Unicolor Lamp

Parameter	Unit	Ratings					Conditions
		GaP	GaAsP	GaAlAs	AlGaInP	InGaN	
PD	mW	75			120		
IF	mA	30					
ΔIF	mA/°C	-0.45					25°C or higher
IFP	mA	100			70		f=1kHz, tw≤100μs
VR	V	3		5			
T _{op}	°C	-30 to +85				-30 to +80	
T _{stg}	°C	-30 to +100					

●Visible Light Bicolor Lamp

Parameter	Unit	Ratings					Conditions
		GaP	GaAsP	GaAlAs	AlGaInP	InGaN	
PD	mW	75			120		Same conditions for simultaneous lighting
IF	mA	30					
ΔIF	mA/°C	-0.45					25°C or higher
IFP	mA	100			70		f=1kHz, tw≤100μs
VR	V	4		5			
T _{op}	°C	-30 to +85				-30 to +80	
T _{stg}	°C	-30 to +100					

●Visible Light Unicolor Surface Mount LEDs

Parameter	Unit	Ratings					Conditions
		GaP	GaAsP	GaAlAs	AlGaInP	InGaN	
IF	mA	30			20		
ΔIF	mA/°C	-0.45					25°C or higher
IFP	mA	100 ^{*1}			70 ^{*2}		f=1kHz, tw≤100μs
VR	V	3		5			
T _{op}	°C	-30 to +85				-30 to +80	
T _{stg}	°C	-30 to +100					

*1: 70mA for SEC1005/1007 Series
*2: 50mA for SEC1005/1007 Series

●Visible Light Bicolor Surface Mount LEDs

Parameter	Unit	Ratings		Conditions
		SEC2002/2004		
PD	mW	75 (Same conditions for simultaneous lighting)		
IF	mA	30		
ΔIF	mA/°C	-0.45		25°C or higher
IFP	mA	70		f=1kHz, tw≤100μs
VR	V	4		
T _{op}	°C	-30 to +85		
T _{stg}	°C	-30 to +100		

●Visible Light Three Element Surface Mount LEDs

Parameter	Unit	Ratings		Conditions
		SECT3M02C-S		
		Red	Green/Blue	
PD	mW	75	120	When one chip lights up (same as green/blue for simultaneous lighting)
IF	mA	30		
ΔIF	mA/°C	-0.45		25°C or higher
IFP	mA	70	50	f=1kHz, tw≤100μs
VR	V	5		
T _{op}	°C	-30 to +80		
T _{stg}	°C	-30 to +100		