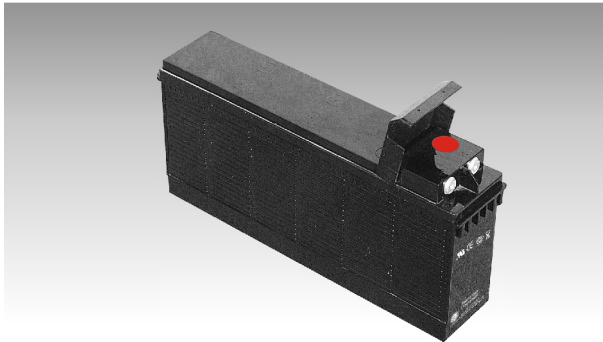
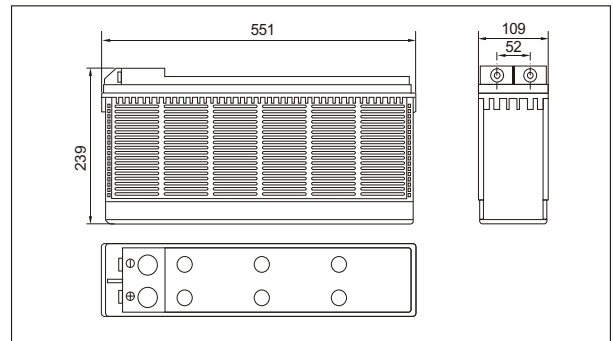




SWF121200(12V120AH)



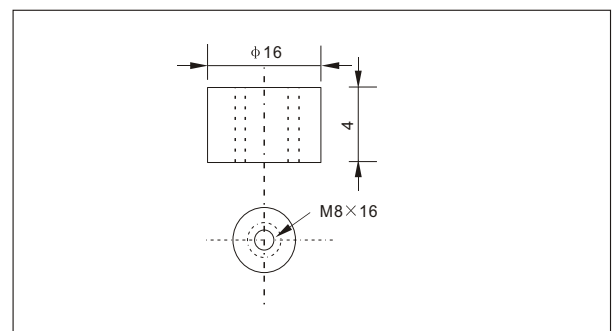
Outer Dimensions (mm)



Specifications

Nominal Voltage		12V
Rated capacity (10 hour rate)		120 Ah
Dimensions	Total Height	239mm (9.41 inches)
	Height	239 mm (9.41 inches)
	Length	551 mm (21.7 inches)
	Width	109 mm (4.29 inches)
Weight Approx		38Kg (83.7lbs)

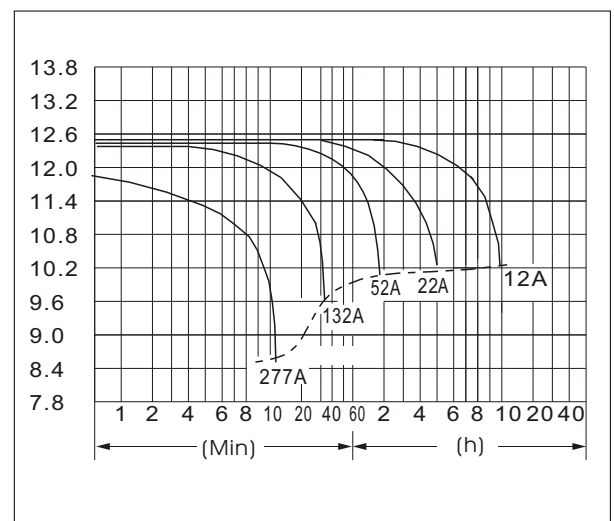
Terminal Type (mm)



Characteristics

Capacity 25°C(77°F)	10 hour rate(12 A)	120 AH
	5 hour rate(22 A)	110AH
	1 hour rate(82 A)	82 AH
	1.5 hour discharge to 10.5V	48 A
Internal Resistance	Full charged Battery at 25°C(77°F)	5 mΩ
Capacity affected by Temperature (10hour rate)	40°C(104°F)	102%
	25°C(77°F)	100%
	0°C(32°F)	85%
	-15°C(5°F)	65%
Self-Discharge at 25°C(77°F)	Capacity after 3 month storage	91%
	Capacity after 6 month storage	82%
	Capacity after 12 month storage	64%
Terminal	T46	
Charge (constant Voltage)	Cycle	Initial Charging Current less than 30 A Voltage 14.10-14.40V
	Float	Voltage 13.50-13.80V

Discharge Curves 25°C(77°F)



Constant Current(Amp) and Constant Power(Watt) Discharge Table a25°C(77°F)

Time		5min	10min	15min	30min	1h	2h	3h	4h	5h	8h	10h	20h
9.60V	A	420.0	277.2	228.0	132.0	81.6	42.0	34.8	28.8	22.8	14.0	12.60	6.80
	W	4410.0	2911.2	2394.0	1386.0	880.8	460.8	388.8	325.2	254.4	160.8	145.2	79.1
10.20V	A	396.0	252.0	222.0	124.8	78.0	40.1	34.2	28.2	22.2	13.7	12.36	6.60
	W	4435.2	2822.4	2486.4	1396.8	873.6	460.8	387.6	325.2	254.4	159.6	145.2	77.4
10.50V	A	384.0	228.0	216.0	115.2	74.4	39.1	32.4	26.4	21.6	13.6	12.12	6.60
	W	4454.4	2644.8	2505.6	1336.8	885.6	459.6	381.6	309.6	253.2	159.6	141.6	78.0
10.80V	A	360.0	205.2	192.0	105.6	72.0	38.2	31.0	25.7	21.0	13.2	12.00	6.48
	W	4320.0	2462.4	2306.4	1267.2	864.0	457.2	369.6	307.2	249.6	157.2	142.8	77.2
11.10V	A	348.0	192.0	168.0	96.0	66.0	37.2	28.8	24.0	19.8	12.8	11.52	6.12
	W	4176.0	2304.0	2016.0	1152.0	792.0	446.4	345.6	288.0	237.6	154.1	138.0	74.2